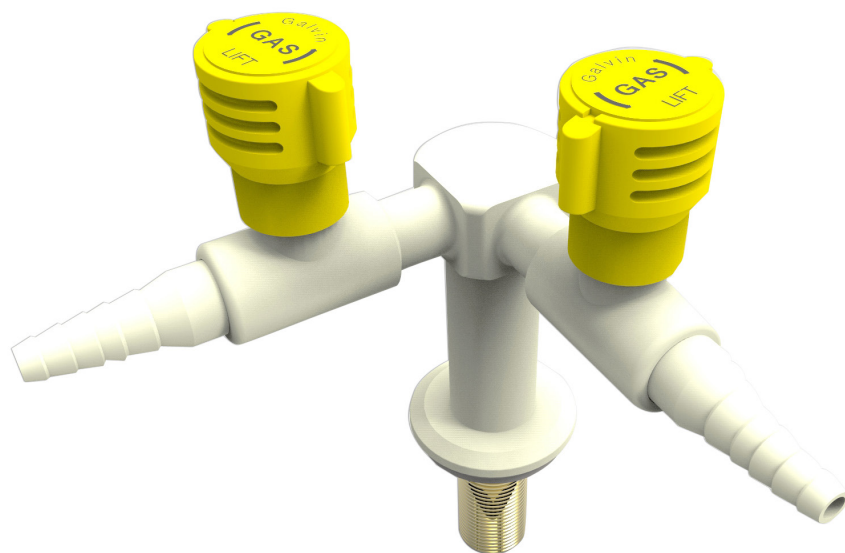


ProLab® EC-BS 2-Way Gas Turret 90° Bench Mtd LP Gas Lift/Turn

Specification Data Sheet



Features

- Vandal resistant fittings are standard which are suitable for both educational and research labs
- Polyester powder coating provides better chemical UV light and heat resistance than chrome plating
- Quality controlled. Every tap is tested
- Colour coded handles - Chemical symbols according to EN 13792 for convenient indication of media
- Australian Made; therefore, spare parts and support are available locally, reducing maintenance downtime costs

To Specify

Australian Made AGA approved, Galvin Specialised ProLab® range of laboratory turrets are supplied standard with tube nozzle, Stirling DIN 13792 approved easy use handle and button, 15mm male BSP inlet all finished in white epoxy coat.

Code:

TG40ELT - ProLab® EC-BS 2-Way Gas Turret 90° Bench Mtd LP Gas Lift/Turn



A family
owned
Australian
business

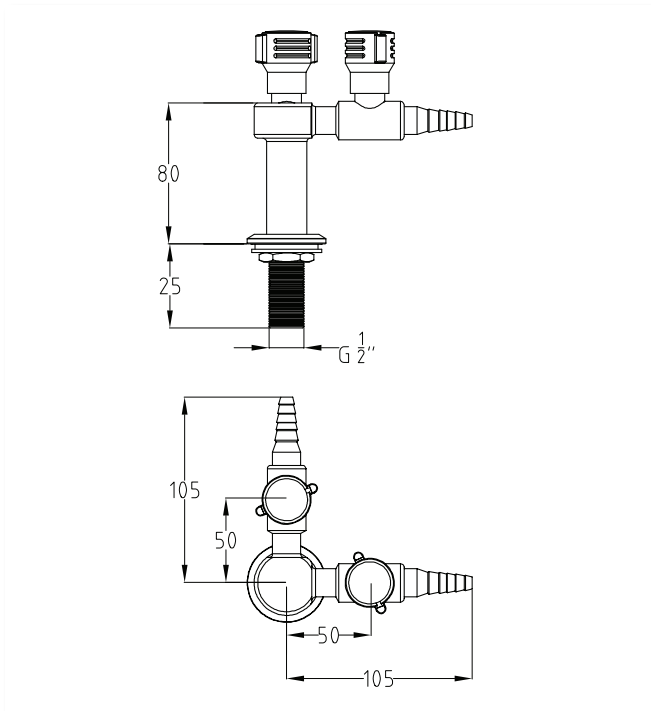


Performance Standards & Approvals

- AGA Approved - Lic 5096



Typical Dimensions



Technical Specifications

Handle: Plastic with media indication according to EN13792

Hose nozzle: Detachable serrated nozzle, suitable for 8mm to 13mm ID rubber hose

Headwork: Ball Valve

Opening/closing function: Lift to open and rotate to engage, reverse operation to close.

Min/Max. Working pressure: 0 - 7kPa

Recommend Working pressure: 1 to 3kPa

Maintenance & Cleaning

Galvin Specialised products should be cleaned with a soft damp cloth using only mild liquid detergent or soap and water. Do not use cleaning agents containing a corrosive acid, scouring agent or solvents. Do not use cream cleaners, as they are abrasive. Use of unsuitable cleaning agents may damage the surface. Any damage caused in this way will not be covered by warranty.

Regular maintenance should be carried out in accordance with the installation and troubleshooting guides provided with the product, relevant Australian Standards, local authorities and state codes.

Warranty

Galvin Engineering products are covered under our Manufacturer's Warranty at www.galvinengineering.com.au. Galvin Engineering products must be installed in accordance with the installation instructions and in accordance with AS3500 and the PCA, relevant Australian Standards and local authorities applicable to product being installed. Water and electrical supply conditions must also comply to the applicable national and/or state standards, failing to comply with these provisions may void the product warranty and affect performance of the product.

Whilst all reasonable care has been taken in compiling the information in this document, the designs, dimensions and products shown are indicative only and should not be relied upon without our prior approval. Due to our policy of continuous development, we reserve the right to alter any details of specifications or products without notice. All information, drawings, technical specifications and product designs remains the property of Galvin Engineering Pty Ltd.

Within Australia: **1300 514 074** Outside Australia: P: +61 (0)8 9338 2344

F: +61 (0)8 9338 2340

sales@galvinengineering.com.au

www.galvinengineering.com.au

ABN: 78 008 719 382



PERTH | SYDNEY | MELBOURNE | BRISBANE | ADELAIDE | UNITED STATES OF AMERICA | UNITED KINGDOM | NEW ZEALAND