

# GalvinLab™ CP-BS Lab 4-Way Straight Gas Turret #42

Specification Data Sheet



## Features

- Our gas cock is manufactured for low pressure gas only
- Natural Gas (town gas), LPG
- Minimum/Maximum Temperature - 0 to 60°C
- Minimum/Maximum Pressure - 0 to 7 kPa
- Recommended Working Pressure 1 to 3 kPa (AS 5601)
- Gas consumption is rated at 5.7 Mj/hour through each Gas Cock, 0.023 cubic metres per hour
- Chrome plated finish for easy cleaning and added durability. High quality chrome finish for easy cleaning and hygiene maintenance
- Australian Made; therefore, spare parts and support are available locally, reducing costs of down time on maintenance

## To Specify

Galvin Specialised GalvinLab™ vandal resistant gas turrets are suitable for low pressure or natural gas, town gas or LPG applications. The AGA certified low pressure range of lever gas turrets is supplied standard with a G1/2"/15 BSP male inlet with a 90° reverse chamfer for hose connection, anti-rotation lugs in base, rubber washer, brass back nut, all finished in bright chrome plate or epoxy coating.

### Code:

**TG42C** – GalvinLab™ CP-BS Lab 4-Way Straight Gas Turret Type 42



A family  
owned  
Australian  
business



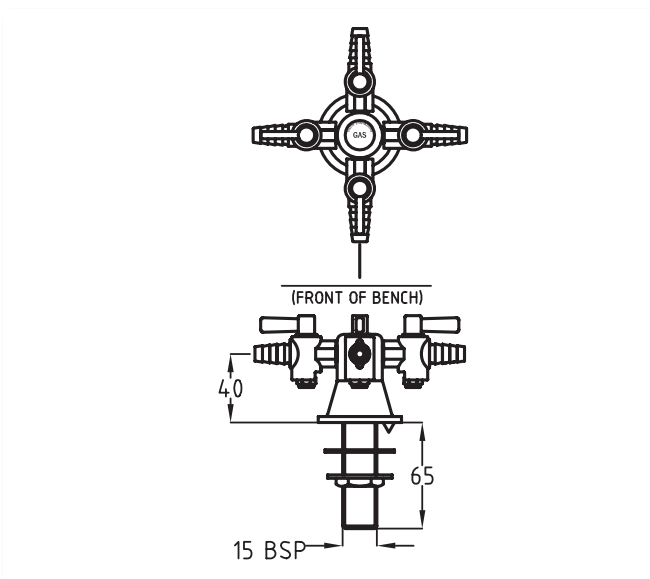
**galvinspecialised**  
commercial taps + fixtures

## Performance Standards & Approvals

- AGA - Lic #5096



## Typical Dimensions



## Maintenance & Cleaning

Galvin Specialised products should be cleaned with a soft damp cloth using only mild liquid detergent or soap and water. Do not use cleaning agents containing a corrosive acid, scouring agent or solvents. Do not use cream cleaners, as they are abrasive. Use of unsuitable cleaning agents may damage the surface. Any damage caused in this way will not be covered by warranty.

Regular maintenance should be carried out in accordance with the installation and troubleshooting guides provided with the product, relevant Australian Standards, local authorities and state codes.

## Warranty

Galvin Engineering products are covered under our Manufacturer's Warranty at [www.galvinengineering.com.au](http://www.galvinengineering.com.au). Galvin Engineering products must be installed in accordance with the installation instructions and in accordance with AS3500 and the PCA, relevant Australian Standards and local authorities applicable to product being installed. Water and electrical supply conditions must also comply to the applicable national and/or state standards, failing to comply with these provisions may void the product warranty and affect performance of the product.

Whilst all reasonable care has been taken in compiling the information in this document, the designs, dimensions and products shown are indicative only and should not be relied upon without our prior approval. Due to our policy of continuous development, we reserve the right to alter any details of specifications or products without notice. All information, drawings, technical specifications and product designs remains the property of Galvin Engineering Pty Ltd.

Within Australia: **1300 514 074** Outside Australia: P: +61 (0)8 9338 2344

F: +61 (0)8 9338 2340

[sales@galvinengineering.com.au](mailto:sales@galvinengineering.com.au)

[www.galvinengineering.com.au](http://www.galvinengineering.com.au)

ABN: 78 008 719 382

A business unit of

**GalvinEngineering**  
the mark of reliability



PERTH | SYDNEY | MELBOURNE | BRISBANE | ADELAIDE | UNITED STATES OF AMERICA | UNITED KINGDOM | NEW ZEALAND