

# GalvinLab™- CP-BS Lab Set 1-Way Type 16 DPW Fixed J/V #8 V/R Aerator

Specification Data Sheet



## Features

- Tough vandal resistant handle that has a unique locking system
- Complies with NSW Education EFSG Guidelines
- Quality controlled. Every tap is tested.
- Comprehensive range of interchangeable nozzles including vandal resistant aerators, tube nozzles, fixed spray nozzles and tube nozzle
- Replaceable top assemblies are supplied for easy maintenance
- High quality chrome finish for easy cleaning and hygiene maintenance
- Australian Made; therefore, spare parts and support are available locally, reducing costs of down time on maintenance

## To Specify

Australian Made AS/NZS 3718 approved, Galvin Specialised GalvinLab™ range of laboratory tapware for current NSW schools specification is supplied standard with fixed outlet, vandal resistant handle and button, 15mm male BSP inlet and standard jumper valve, all finished in bright chrome plate. Epoxy coating and ceramic disc options are available.

### Code:

**TL16.DFJ8C** – GalvinLab™ CP-BS Lab Set 1-Way  
Type 16 DPW Fixed J/V #8 V/R Aerator



A family  
owned  
Australian  
business

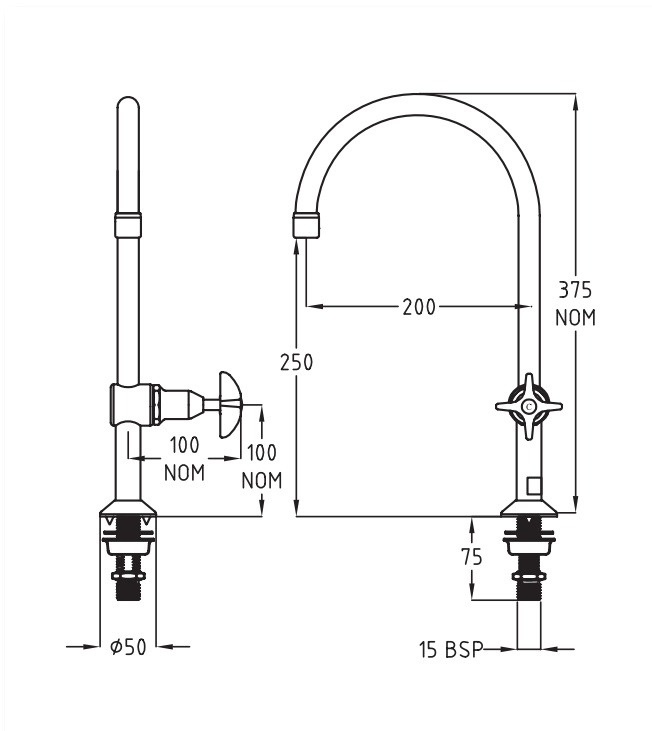


## Performance Standards & Approvals

- AS/NZS 3718 – WaterMark
- WELS 5 Star Rating



## Typical Dimensions



## Technical Information

- Inlet: 1/2" BSP
- Outlet: Vandal Resistant Aerator
- Headwork: Jumper Valve
- Working Pressure Range (kPa): 50 Min - 500 Max
- Operating Temperature Range (°C): 5 Min - 80 Max
- Nominal Flow Rate (LPM): 5.6
- Construction: Brass
- Finish: Chrome

## Maintenance & Cleaning

Galvin Engineering products should be cleaned with a soft damp cloth using only mild liquid detergent or soap and water. Do not use cleaning agents containing a corrosive acid, scouring agent or solvents. Do not use cream cleaners, as they are abrasive. Use of unsuitable cleaning agents may damage the surface. Any damage caused in this way will not be covered by warranty.

Regular maintenance should be carried out in accordance with the installation and troubleshooting guides provided with the product, relevant Australian Standards, local authorities and state codes.

As part of maintaining a safe and reliable plumbing system, we recommend tapware and valves are operated on at least a daily basis.

## Warranty

Galvin Engineering products are covered under our Manufacturer's Warranty at [www.galvinengineering.com.au](http://www.galvinengineering.com.au). Galvin Engineering products must be installed in accordance with the installation instructions and in accordance with AS3500 and the PCA, relevant Australian Standards and local authorities applicable to product being installed. Water and electrical supply conditions must also comply to the applicable national and/or state standards, failing to comply with these provisions may void the product warranty and affect performance of the product.

Whilst all reasonable care has been taken in compiling the information in this document, the designs, dimensions and products shown are indicative only and should not be relied upon without our prior approval. Due to our policy of continuous development, we reserve the right to alter any details of specifications or products without notice. All information, drawings, technical specifications and product designs remains the property of Galvin Engineering Pty Ltd.

Within Australia: **1300 514 074** Outside Australia: P: +61 (0)8 9338 2344  
 F: +61 (0)8 9338 2340  
[sales@galvinengineering.com.au](mailto:sales@galvinengineering.com.au)  
[www.galvinengineering.com.au](http://www.galvinengineering.com.au)  
 ABN: 78 008 719 382

A business unit of

**GalvinEngineering**  
 the mark of reliability



PERTH | SYDNEY | MELBOURNE | BRISBANE | ADELAIDE | UNITED STATES OF AMERICA | UNITED KINGDOM | NEW ZEALAND