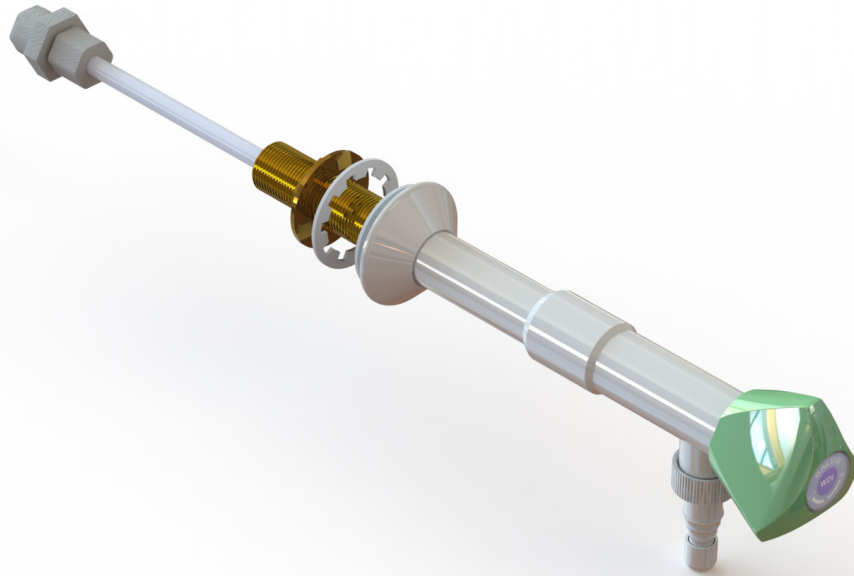


ProLab® Special Water 1-Way Wall Mounted Lab Set HP Distilled Unit

Specification Data Sheet



ProLab® Special Water Benefits

The Galvin ProLab® range has been researched and specifically designed to operate efficiently in today's laboratory.

- Vandal resistant fittings are standard which are suitable for both educational and research labs.
- Polyester powder coating provides better chemical UV light and heat resistance than chrome plating.
- Quality controlled. Every tap is tested.
- Colour coded handles - Chemical symbols according to EN 13792 for convenient indication of media.
- Replaceable top assemblies are supplied for easy maintenance
- Specialised top assemblies give precise flow and regulation.

To Specify

The TLDI series of ProLab® laboratory tapware is supplied standard with fixed outlet, Stirling DIN 13792 approved easy use handle and button, 15mm male BSP inlet all finished in white epoxy coat.

Code: **TLDIMPW**

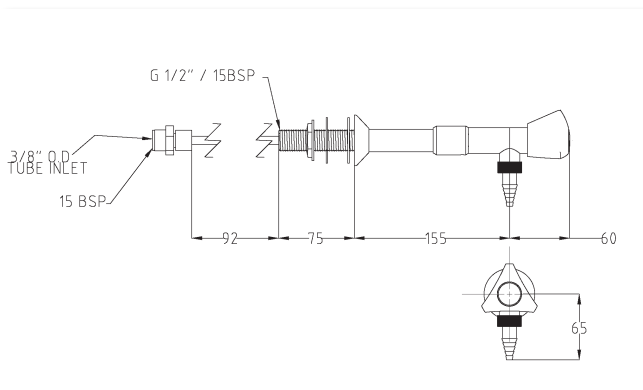
ProLab® 1-Way Lab Set Wall Mounted Distilled/Deionized Unit



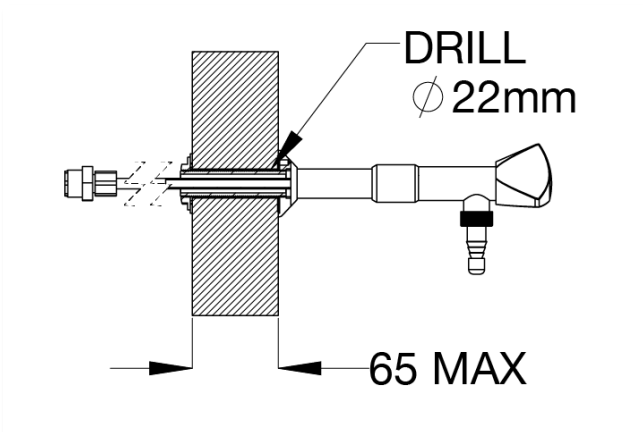
A family
owned
Australian
business



Typical Dimensions



Mounting Information



Technical Specifications

Main materials:

Tap body: Polypropylene (PP) and Polyethylene (PE)

Headwork: 90° ceramic-ceramic sealing

Handle: Brass with media indication according to EN13792

Handle colour: With accordance to DIN EN 13792

Body colour: White

NOTE:

Fixture has a fully recirculating configuration

All components in contact with pure water are polypropylene and ceramic

Materials With Media Contact

Tap body: PP and PE

Sealing: Ceramic

Nozzle: PP

Maintenance & Cleaning

Galvin Specialised products should be cleaned with a soft damp cloth using only mild liquid detergent or soap and water. Do not use cleaning agents containing a corrosive acid, scouring agent or solvents. Do not use cream cleaners, as they are abrasive. Use of unsuitable cleaning agents may damage the surface. Any damage caused in this way will not be covered by warranty.

Regular maintenance should be carried out in accordance with the installation and troubleshooting guides provided with the product, relevant Australian Standards, local authorities and state codes.

Warranty

Galvin Engineering products are covered under our Manufacturer's Warranty at www.galvinengineering.com.au. Galvin Engineering products must be installed in accordance with the installation instructions and in accordance with AS3500 and the PCA, relevant Australian Standards and local authorities applicable to product being installed. Water and electrical supply conditions must also comply to the applicable national and/or state standards, failing to comply with these provisions may void the product warranty and affect performance of the product.

Whilst all reasonable care has been taken in compiling the information in this document, the designs, dimensions and products shown are indicative only and should not be relied upon without our prior approval. Due to our policy of continuous development, we reserve the right to alter any details of specifications or products without notice. All information, drawings, technical specifications and product designs remains the property of Galvin Engineering Pty Ltd.

Within Australia: **1300 514 074** Outside Australia: P: +61 (0)8 9338 2344
 F: +61 (0)8 9338 2340
sales@galvinengineering.com.au
www.galvinengineering.com.au

ABN: 78 008 719 382

PERTH | SYDNEY | MELBOURNE | BRISBANE | ADELAIDE

A business unit of

GalvinEngineering
 the mark of reliability

