

CliniLever® CP-BS Hospital Single Lever Basin Mixer

Specification Data Sheet



Features

- Ergonomic design
- Chrome plate finish
- Fitted with 7 litres per minute flow regulator
- Optional warm/cold indicator decal available
- Complies with NSW Education EFSG Guidelines

To Specify

Galvin Specialised AS/NZS 3718 approved, CliniLever® Hospital Single Lever Basin Mixer is ideal for use in schools, end of trip facilities, washrooms and areas of high use.

Our CliniLever® CP-BS Hospital Single Lever Basin Mixer is water conserving and cost-effective.

Code:

TM-BASCP - CliniLever® CP-BS Hospital Single Lever Basin Mixer



A family
owned
Australian
business



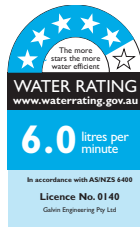
Performance Standards & Approvals

- AS/NZS 3718 – WaterMark
- WELS - 5 Star



WaterMark

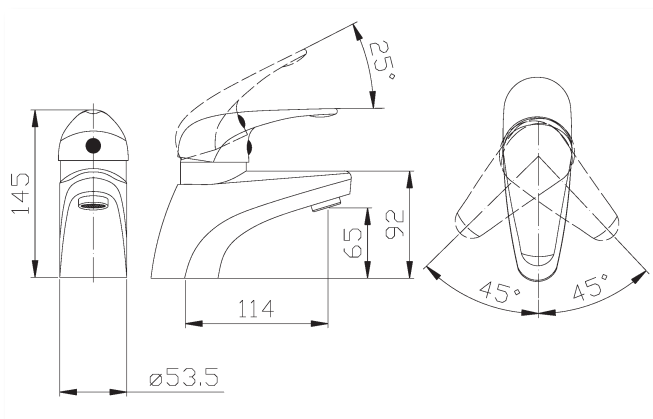
AS/NZS 3718 Lic WMKA02260
SAI Global



Technical Information

- Inlet: 1/2" BSP - Female
- Outlet: Laminar Flow Aerator
- Headwork: Ceramic Cartridge
- Working Pressure Range (kPa): 150 Min - 500 Max
- Working Temperature (°C): 10 Min - 80 Max
- Nominal Flow Rate (LPM): 5.77
- Finish: Chrome

Typical Dimensions



Illustrated is aTM-BASCP

Maintenance & Cleaning

Galvin Specialised products should be cleaned with a soft damp cloth using only mild liquid detergent or soap and water. Do not use cleaning agents containing a corrosive acid, scouring agent or solvents. Do not use cream cleaners, as they are abrasive. Use of unsuitable cleaning agents may damage the surface. Any damage caused in this way will not be covered by warranty.

Regular maintenance should be carried out in accordance with the installation and troubleshooting guides provided with the product, relevant Australian Standards, local authorities and state codes.

Warranty

Galvin Engineering products are covered under our Manufacturer's Warranty at www.galvinengineering.com.au. Galvin Engineering products must be installed in accordance with the installation instructions and in accordance with AS3500 and the PCA, relevant Australian Standards and local authorities applicable to product being installed. Water and electrical supply conditions must also comply to the applicable national and/or state standards, failing to comply with these provisions may void the product warranty and affect performance of the product.

Whilst all reasonable care has been taken in compiling the information in this document, the designs, dimensions and products shown are indicative only and should not be relied upon without our prior approval. Due to our policy of continuous development, we reserve the right to alter any details of specifications or products without notice. All information, drawings, technical specifications and product designs remains the property of Galvin Engineering Pty Ltd.

Within Australia: **1300 514 074** Outside Australia: P: +61 (0)8 9338 2344
F: +61 (0)8 9338 2340
sales@galvinengineering.com.au
www.galvinengineering.com.au
ABN: 78 008 719 382

A business unit of
GalvinEngineering
the mark of reliability 

PERTH | SYDNEY | MELBOURNE | BRISBANE | ADELAIDE | UNITED STATES OF AMERICA | UNITED KINGDOM | NEW ZEALAND