

CP-BS Knee Operated Timeflow Valve with Regulator

Specification Data Sheet



Features

- Timed flow shut off results in major water and electrical savings
- Hands free operation supports infection control and saves time in cleaning
- Robust lever that can take heavy usage
- Brass construction
- Chrome plate finish

To Specify

Avoiding hand contact with tapware helps reduce the risk of cross contamination, which is particularly important in food preparation and processing plants. The soft spring is perfect for hands-free operation and is easily mounted. It has a self-closing function which reduces water and energy wastage.

Code:

TP08045 - CP-BS Knee Operated Timeflow Valve with Regulator



A family
owned
Australian
business



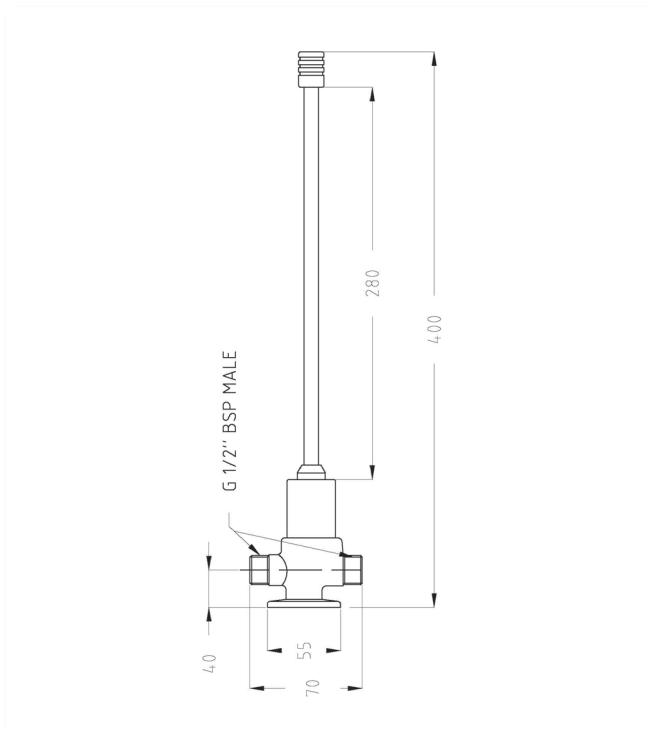
Performance Standards & Approvals

- AS/NZS 3718 – WaterMark



WaterMark
AS/NZS 3718 Lic. WMKA0034
SAI Global

Typical Dimensions



Specifications

- Recommended Pressure - 300kPa
- Recommended Temperature - 70°C Max
- Minimum Pressure - 100kPa
- Maximum Pressure - 500kPa
- Time is based on 500 kPa, 5 LPM @ 22°C
- Use of Strainers recommended
- Flow time: Calibrated to 15 seconds at 500kPa
Adjustable from 0 - 25 seconds

Maintenance & Cleaning

Galvin Specialised products should be cleaned with a soft damp cloth using only mild liquid detergent or soap and water. Do not use cleaning agents containing a corrosive acid, scouring agent or solvents. Do not use cream cleaners, as they are abrasive. Use of unsuitable cleaning agents may damage the surface. Any damage caused in this way will not be covered by warranty.

Regular maintenance should be carried out in accordance with the installation and troubleshooting guides provided with the product, relevant Australian Standards, local authorities and state codes.

As part of maintaining a safe and reliable plumbing system,

Warranty

Galvin Engineering products are covered under our Manufacturer's Warranty at www.galvinengineering.com.au. Galvin Engineering products must be installed in accordance with the installation instructions and in accordance with AS3500 and the PCA, relevant Australian Standards and local authorities applicable to product being installed. Water and electrical supply conditions must also comply to the applicable national and/or state standards, failing to comply with these provisions may void the product warranty and affect performance of the product.

Whilst all reasonable care has been taken in compiling the information in this document, the designs, dimensions and products shown are indicative only and should not be relied upon without our prior approval. Due to our policy of continuous development, we reserve the right to alter any details of specifications or products without notice. All information, drawings, technical specifications and product designs remains the property of Galvin Engineering Pty Ltd.

Within Australia: **1300 514 074** Outside Australia: P: +61 (0)8 9338 2344

F: +61 (0)8 9338 2340

sales@galvinengineering.com.au

www.galvinengineering.com.au

ABN: 78 008 719 382

A business unit of

GalvinEngineering
the mark of reliability



PERTH | SYDNEY | MELBOURNE | BRISBANE | ADELAIDE | UNITED STATES OF AMERICA | UNITED KINGDOM | NEW ZEALAND