

# CP-BS Knee Operated Timeflow Valve Kit

Specification Data Sheet



## Features

- Commercial grade quality and fully backed up by our industrial warranty
- Knee operating valve including tap outlet
- Timed flow shut off results in major water and electrical savings
- Hands free operation supports infection control and saves time in cleaning
- The robust lever that can take heavy usage
- Brass construction
- Chrome plated finish

## To Specify

Galvin Specialised AS/NZS 3718 and WELS 6 star approved knee operated timeflow valve kit is ideal for use in food preparation and processing plants. The soft spring is perfect for hands free operation and is easily mounted. Robust and reliable, the knee operated timeflow valve kit is water conserving and cost effective.

### Code:

**TP08045K** - CP-BS Knee Operated Timeflow Valve Kit



A family  
owned  
Australian  
business



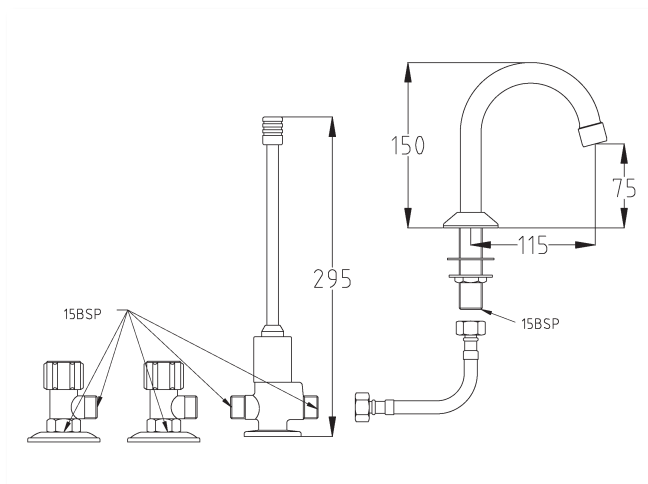
**galvinspecialised**  
commercial taps + fixtures

## Performance Standards & Approvals

- AS/NZS 3718 – WaterMark



## Typical Dimensions



## Technical Information

- Inlet: 1/2" BSP - Female
- Outlet: Aerator
- Headwork: Timeflow cartridge
- Working Pressure Range (kPa): 100 Min - 500 Max
- Working Temperature Range (°C): 5 Min - 65 Max
- Nominal Flow Rate (LPM): 4.29
- Finish: Chrome

## Maintenance & Cleaning

Galvin Specialised products should be cleaned with a soft damp cloth using only mild liquid detergent or soap and water. Do not use cleaning agents containing a corrosive acid, scouring agent or solvents. Do not use cream cleaners, as they are abrasive. Use of unsuitable cleaning agents may damage the surface. Any damage caused in this way will not be covered by warranty.

Regular maintenance should be carried out in accordance with the installation and troubleshooting guides provided with the product, relevant Australian Standards, local authorities and state codes.

As part of maintaining a safe and reliable plumbing system, we recommend tapware and valves are operated on at least a daily basis.

## Warranty

Galvin Engineering products are covered under our Manufacturer's Warranty at [www.galvinengineering.com.au](http://www.galvinengineering.com.au). Galvin Engineering products must be installed in accordance with the installation instructions and in accordance with AS3500 and the PCA, relevant Australian Standards and local authorities applicable to product being installed. Water and electrical supply conditions must also comply to the applicable national and/or state standards, failing to comply with these provisions may void the product warranty and affect performance of the product.

Whilst all reasonable care has been taken in compiling the information in this document, the designs, dimensions and products shown are indicative only and should not be relied upon without our prior approval. Due to our policy of continuous development, we reserve the right to alter any details of specifications or products without notice. All information, drawings, technical specifications and product designs remains the property of Galvin Engineering Pty Ltd.

Within Australia: **1300 514 074** Outside Australia: P: +61 (0)8 9338 2344

F: +61 (0)8 9338 2340

[sales@galvinengineering.com.au](mailto:sales@galvinengineering.com.au)

[www.galvinengineering.com.au](http://www.galvinengineering.com.au)

ABN: 78 008 719 382

A business unit of

**GalvinEngineering**  
the mark of reliability



PERTH | SYDNEY | MELBOURNE | BRISBANE | ADELAIDE | UNITED STATES OF AMERICA | UNITED KINGDOM | NEW ZEALAND