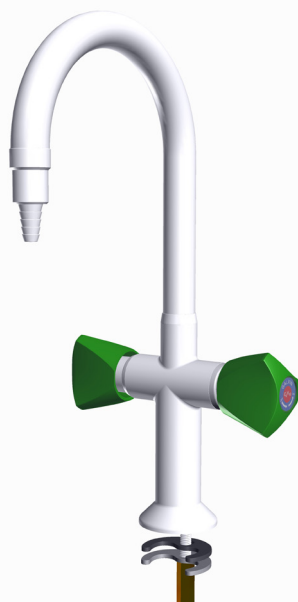


ProLab® EC-BS Bench Mtd Lab Set Dual H&C 1-Way Swivel Gooseneck N/V #16XT Tube Nozzle

Specification Data Sheet



Features

- Vandal resistant fittings are standard which are suitable for both educational and research labs
- Polyester powder coating provides better chemical UV light and heat resistance than chrome plating
- Quality controlled. Every tap is tested
- Colour coded handles - Chemical symbols according to EN 13792 for convenient indication of media
- Tube nozzles or aerator are available on all water units
- Replaceable top assemblies are supplied for easy maintenance
- Specialised needle valve top assemblies give precise flow and regulation
- Exchangeable nozzles for flexible choice of outlet connection
- Australian Made; therefore, spare parts and support are available locally, reducing costs of down time on maintenance

To Specify

Australian Made AS/NZS 3718 approved, Galvin Specialised ProLab® laboratory range has been designed and manufactured to meet the unique requirements and challenges of modern laboratories. The ProLab® 1-Way Laboratory Set offers great performance, durability, and flexibility while aesthetically pleasing.

Our ProLab® water range are fitted with mini dual check valves to prevent back flow into scheme or potable water supplies and needle valve top assemblies for precise flow and regulation.

Code:

TR11SN16 - ProLab® EC-BS Bench Mtd Lab Set Dual H&C 1-Way Swivel Gooseneck Needle Valve #16 XT Tube Nozzle



A family
owned
Australian
business

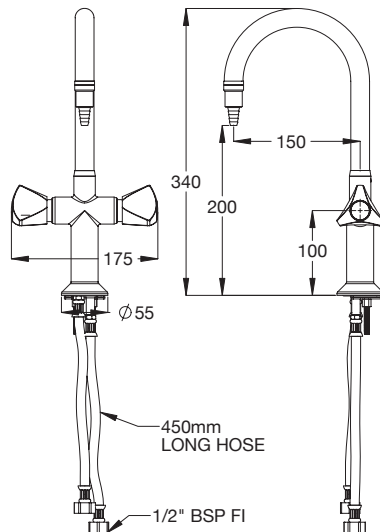


Performance Standards & Approvals

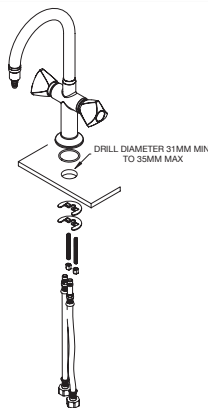
- AS/NZS 3718 – WaterMark
- WELS 5 Star Rating



Typical Dimensions



Mounting Information



Warranty

Galvin Engineering products are covered under our Manufacturer's Warranty at www.galvinengineering.com.au. Galvin Engineering products must be installed in accordance with the installation instructions and in accordance with AS3500 and the PCA, relevant Australian Standards and local authorities applicable to product being installed. Water and electrical supply conditions must also comply to the applicable national and/or state standards, failing to comply with these provisions may void the product warranty and affect performance of the product.

Whilst all reasonable care has been taken in compiling the information in this document, the designs, dimensions and products shown are indicative only and should not be relied upon without our prior approval. Due to our policy of continuous development, we reserve the right to alter any details of specifications or products without notice. All information, drawings, technical specifications and product designs remains the property of Galvin Engineering Pty Ltd.

Within Australia: **1300 514 074** Outside Australia: P: +61 (0)8 9338 2344
 F: +61 (0)8 9338 2340
sales@galvinengineering.com.au
www.galvinengineering.com.au
 ABN: 78 008 719 382

Technical Specifications

- Handle:** Brass, with media indication according to EN13792
- Spout:** 120° limited swivel action
- Hose nozzle:** Detachable nozzle with a built in approved dual check valve (AS/NZS 2845 Lic. WMKA02652)
- Headwork:** Needle Valve
- Opening/closing function:** 3 x 360°
- Working temperature range:** 5 - 90°C
- Working pressure range:** 150 - 500kPa
- Test pressure:** 1.5 x working pressure
- Inlet:** ½" BSP female inlet tails
- Outlet:** Tube nozzle

Materials With Media Contact

- Metals:** Brass
- Plastics:** PP, PTFE
- Sealing:** Brass & Teflon
- Lubricant:** AS 4020 Silicone (compliant) (AWQL 55625)

Maintenance & Cleaning

Galvin Specialised products should be cleaned with a soft damp cloth using only mild liquid detergent or soap and water. Do not use cleaning agents containing a corrosive acid, scouring agent or solvents. Do not use cream cleaners, as they are abrasive. Use of unsuitable cleaning agents may damage the surface. Any damage caused in this way will not be covered by warranty.

Regular maintenance should be carried out in accordance with the installation and troubleshooting guides provided with the product, relevant Australian Standards, local authorities and state codes.