

ProLab® Water 1-Way Wall Mounted Laboratory Set Swivel Spout

Specification Data Sheet



ProLab® Water Benefits

The Galvin Specialised ProLab® range has been researched and specifically designed to operate efficiently in today's laboratory.

- Vandal resistant fittings are standard which are suitable for both educational and research labs.
- Polyester powder coating provides better chemical UV light and heat resistance than chrome plating.
- Quality controlled. Every tap is tested.
- Colour coded handles - Chemical symbols according to EN 13792 for convenient indication of media.
- Tube nozzles or aerator are available on all water units.
- Replaceable top assemblies are supplied for easy maintenance
- Specialised needle valve top assemblies give precise flow and regulation.
- Exchangeable nozzles for flexible choice of outlet connection.

To Specify

The AS/NZS 3718 approved TR15 series of ProLab® laboratory tapware is supplied standard with swivel outlet, Stirling DIN 13792 approved easy use handle and button, 15mm female BSP inlet and fine control needle valve all finished in white epoxy coat.

Code: **TR15SN16W**

ProLab® Water 1-Way Wall Mounted Laboratory Set Swivel Spout



A family
owned
Australian
business



galvinspecialised
commercial taps + fixtures

Technical Specifications

Handle: Brass, with media indication according to EN13792

Spout: 120° limited swivel action

Hose nozzle: Detachable nozzle with a built in approved dual check valve (AS/NZS 2845 Lic. WMKA02652)

Headwork: Needle valve

Opening/closing function: 3 x 360°

Temperature range: 0-90°C

Max. Working pressure: 1000 kPa

Test pressure: 1.5 x working pressure

Inlet connection: 15mm BSP female inlet tail

Materials With Media Contact

Metals: Brass

Plastics: PP, PTFE

Sealing: Brass & Teflon

Lubricant: AS 4020 Silicone (compliant) (AWQL 55625)

Performance Standards & Approvals

- AS/NZS 3718 – WaterMark
- WELS 5 Star Rating



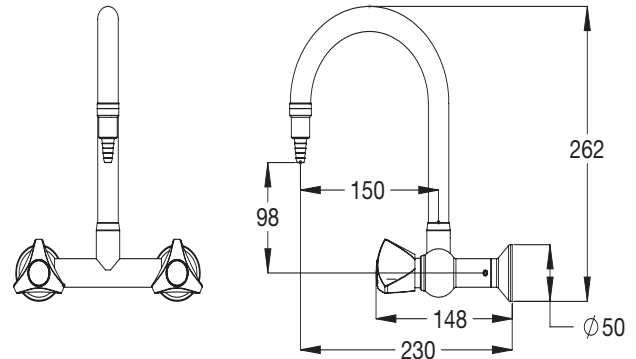
Maintenance & Cleaning

Galvin Specialised products should be cleaned with a soft damp cloth using only mild liquid detergent or soap and water. Do not use cleaning agents containing a corrosive acid, scouring agent or solvents. Do not use cream cleaners, as they are abrasive. Use of unsuitable cleaning agents may damage the surface. Any damage caused in this way will not be covered by warranty.

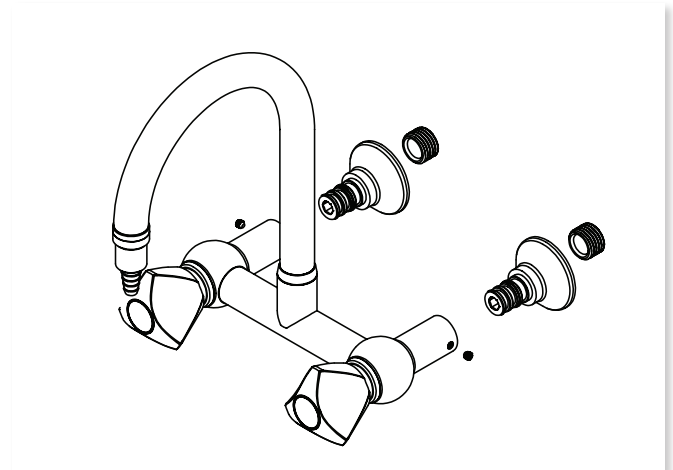
Regular maintenance should be carried out in accordance with the installation and troubleshooting guides provided with the product, relevant Australian Standards, local authorities and state codes.

Whilst all reasonable care has been taken in compiling the information in this document, the designs, dimensions and products shown are indicative only and should not be relied upon without our prior approval. Due to our policy of continuous development, we reserve the right to alter any details of specifications or products without notice. All information, drawings, technical specifications and product designs remains the property of Galvin Engineering Pty Ltd.

Typical Dimensions



Mounting Information



Warranty

Galvin Specialised products are covered under our Manufacturer's Warranty at www.galvinengineering.com.au. Galvin Specialised products must be installed in accordance with the installation instructions and in accordance with AS3500 and the PCA, relevant Australian Standards and local authorities applicable to product being installed. Water and electrical supply conditions must also comply to the applicable national and/or state standards, failing to comply with these provisions may void the product warranty and affect performance of the product.

410 Victoria Rd, Malaga, WA 6090

Within Australia: **1300 514 074** Outside Australia: P: +61 (0)8 9249 5900

F: +61 (0)8 9249 5916

sales@galvinengineering.com.au

www.galvinengineering.com.au

ABN: 78 008 719 382

PERTH | SYDNEY | MELBOURNE | BRISBANE | ADELAIDE

GalvinEngineering 
the mark of reliability