

# ProLab® Water 1-Way Wall Mounted Laboratory Set Swivel Spout

Specification Data Sheet



## Features

- Vandal resistant fittings are standard which are suitable for both educational and research labs
- Polyester powder coating provides better chemical UV light and heat resistance than chrome plating
- Quality controlled - every tap is tested
- Colour coded handles - chemical symbols according to EN 13792 for convenient indication of media
- Tube nozzles or aerator are available on all water units
- Replaceable top assemblies are supplied for easy maintenance
- Specialised needle valve top assemblies give precise flow and regulation
- Exchangeable nozzles for flexible choice of outlet connection
- Australian Made; therefore, spare parts and support are available locally, reducing costs of down time on maintenance

## To Specify

Australian Made AS/NZS 3718 approved, Galvin Specialised ProLab® laboratory tapware range is supplied standard with swivel outlet, Stirling DIN 13792 approved easy use handle and button, 15mm female BSP inlet and fine control needle valve all finished in white epoxy coat.

### Code:

**TR16SN16W** - ProLab® Lab Set 1-Way Swivel Gooseneck Needle Valve 16 XT Tube Nozzle



A family  
owned  
Australian  
business

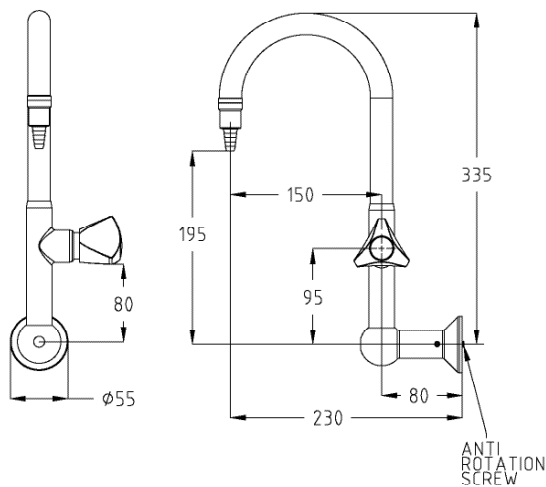


## Performance Standards & Approvals

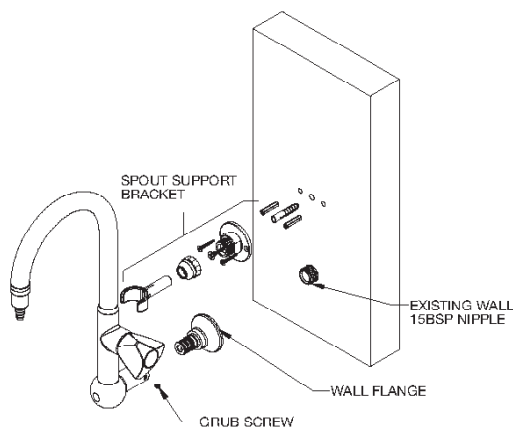
- AS/NZS 3718 – WaterMark
- WELS 5 Star Rating



## Typical Dimensions



## Mounting Information



## Warranty

Galvin Engineering products are covered under our Manufacturer's Warranty at [www.galvinengineering.com.au](http://www.galvinengineering.com.au). Galvin Engineering products must be installed in accordance with the installation instructions and in accordance with AS3500 and the PCA, relevant Australian Standards and local authorities applicable to product being installed. Water and electrical supply conditions must also comply to the applicable national and/or state standards, failing to comply with these provisions may void the product warranty and affect performance of the product.

Whilst all reasonable care has been taken in compiling the information in this document, the designs, dimensions and products shown are indicative only and should not be relied upon without our prior approval. Due to our policy of continuous development, we reserve the right to alter any details of specifications or products without notice. All information, drawings, technical specifications and product designs remains the property of Galvin Engineering Pty Ltd.

## Technical Specifications

Handle: Brass, with media indication according to EN 13792  
 Spout: 120° limited swivel action  
 Headwork: Needle valve  
 Opening/closing function: 3 x 360°  
 Temperature range: 0-90°C  
 Max. Working pressure: 1000 kPa  
 Test pressure: 1.5 x working pressure  
 Inlet connection: 15mm BSP female inlet  
 Spout: 120° limited swivel action  
 Hose nozzle: Detachable nozzle with a built in approved dual check valve  
 Headwork: Needle valve  
 Opening/closing function: 3 x 360°  
 Temperature range: 0-90°C  
 Max. Working pressure: 1000 kPa  
 Test pressure: 1.5 x working pressure  
 Inlet connection: 15mm BSP female inle

## Maintenance & Cleaning

Galvin Specialised products should be cleaned with a soft damp cloth using only mild liquid detergent or soap and water. Do not use cleaning agents containing a corrosive acid, scouring agent or solvents. Do not use cream cleaners, as they are abrasive. Use of unsuitable cleaning agents may damage the surface. Any damage caused in this way will not be covered by warranty.

Regular maintenance should be carried out in accordance with the installation and troubleshooting guides provided with the product, relevant Australian Standards, local authorities and state codes.

Within Australia: **1300 514 074** Outside Australia: P: +61 (0)8 9338 2344  
 F: +61 (0)8 9338 2340  
[sales@galvinengineering.com.au](mailto:sales@galvinengineering.com.au)  
[www.galvinengineering.com.au](http://www.galvinengineering.com.au)  
 ABN: 78 008 719 382

A business unit of  
**GalvinEngineering**  
 the mark of reliability

PERTH | SYDNEY | MELBOURNE | BRISBANE | ADELAIDE | UNITED STATES OF AMERICA | UNITED KINGDOM | NEW ZEALAND