

ProLab® EC-BS Bench Mtd Lab Set Right Angle N/V #16XT Tube Nozzle

Specification Data Sheet



Features

- Vandal resistant fittings are standard which are suitable for both educational and research labs
- Polyester powder coating provides better chemical UV light and heat resistance than chrome plating
- Quality controlled. Every tap tested
- Colour coded handles - Chemical symbols according to EN 13792 for convenient indication of media.
- Tube nozzles or aerator are available on all water units.
- Replaceable top assemblies are supplied for easy maintenance
- Specialised needle valve top assemblies give precise flow and regulation
- Exchangeable nozzles for flexible choice of outlet connection
- Australian Made; therefore, spare parts and support are available locally, reducing costs of down time on maintenance

To Specify

Australian Made AS/NZS 3718 approved, Galvin Specialised ProLab® range of laboratory tapware is supplied standard with fixed outlet, Stirling DIN 13792 approved easy use handle and button, 15mm male BSP inlet and fine control needle valve all finished in white epoxy coat.

Code:

TR17FN16 - ProLab® Lab Set 1-Way Right Angle Needle Valve #16 XT Tube Nozzle



A family
owned
Australian
business

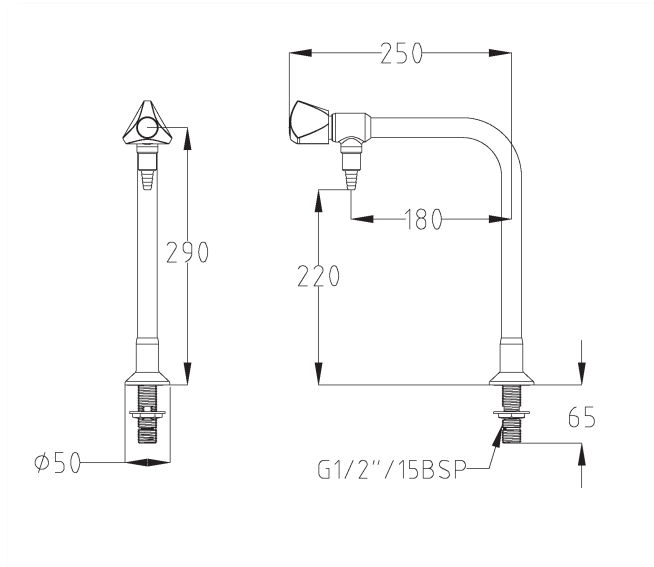


Performance Standards & Approvals

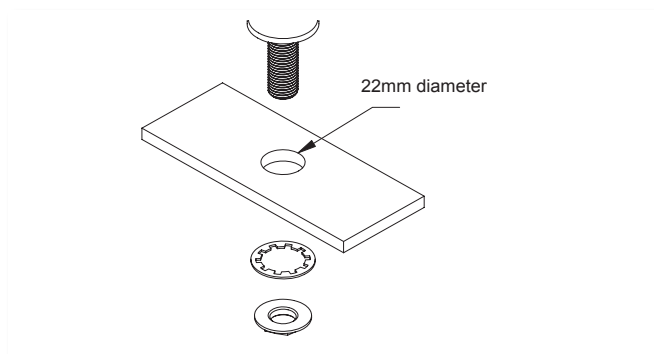
- AS/NZS 3718 – WaterMark
- WELS 5 Star Rating



Typical Dimensions



Mounting Information



Warranty

Galvin Engineering products are covered under our Manufacturer's Warranty at www.galvinengineering.com.au. Galvin Engineering products must be installed in accordance with the installation instructions and in accordance with AS3500 and the PCA, relevant Australian Standards and local authorities applicable to product being installed. Water and electrical supply conditions must also comply to the applicable national and/or state standards, failing to comply with these provisions may void the product warranty and affect performance of the product.

Whilst all reasonable care has been taken in compiling the information in this document, the designs, dimensions and products shown are indicative only and should not be relied upon without our prior approval. Due to our policy of continuous development, we reserve the right to alter any details of specifications or products without notice. All information, drawings, technical specifications and product designs remains the property of Galvin Engineering Pty Ltd.

Within Australia: **1300 514 074** Outside Australia: P: +61 (0)8 9338 2344

F: +61 (0)8 9338 2340

sales@galvinengineering.com.au

www.galvinengineering.com.au

ABN: 78 008 719 382

Technical Specifications

Handle: Brass, with media indication according to EN13792

Spout: Fixed

Hose nozzle: Detachable nozzle with a built in approved dual check valve (AS/NZS 2845 Lic. WMKA02652)

Headwork: Needle Valve

Opening/closing function: 3 x 360°

Temperature range: 0-90°C

Max. Working pressure: 1000 kPa

Test pressure: 1.5 x working pressure

Inlet connection: 15mm BSP male inlet tail

Materials With Media Contact

Metals: Brass

Plastics: PP, PTFE

Sealing: Brass & Teflon

Lubricant: AS 4020 Silicone (compliant) (AWQL 55625)

Maintenance & Cleaning

Galvin Specialised products should be cleaned with a soft damp cloth using only mild liquid detergent or soap and water. Do not use cleaning agents containing a corrosive acid, scouring agent or solvents. Do not use cream cleaners, as they are abrasive. Use of unsuitable cleaning agents may damage the surface. Any damage caused in this way will not be covered by warranty.

Regular maintenance should be carried out in accordance with the installation and troubleshooting guides provided with the product, relevant Australian Standards, local authorities and state codes.