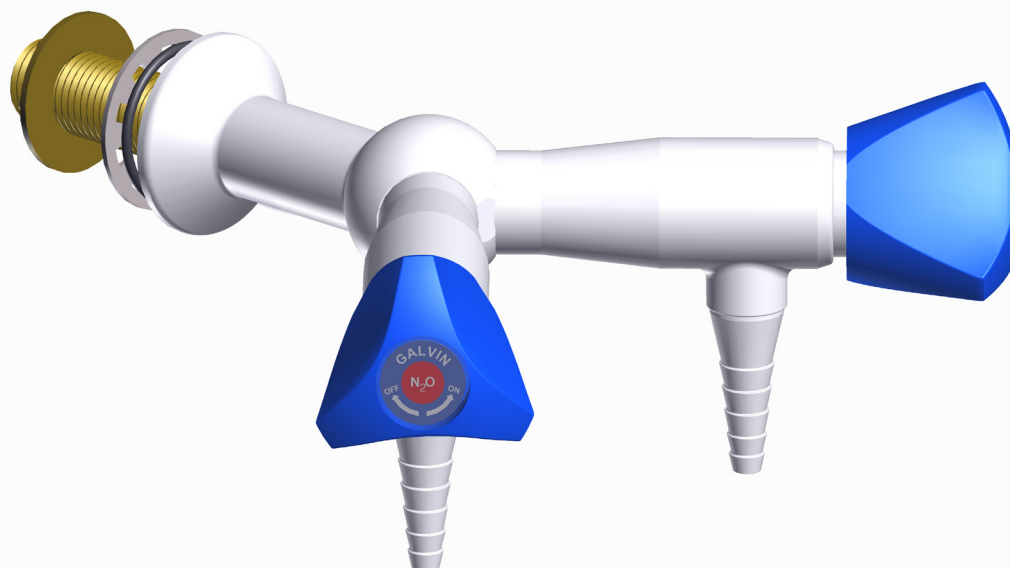


ProLab® Dry Services 2-Way Valve Wall Mounted 90° Outlet

Specification Data Sheet



ProLab® Dry Services Benefits

The Galvin ProLab® Dry Services range has been researched and specifically designed to operate efficiently in today's laboratory.

- Vandal resistant fittings are standard which are suitable for both educational and research labs.
- Polyester powder coating provides better chemical UV light and heat resistance than chrome plating.
- Quality controlled. Every tap is tested.
- Colour coded handles - Chemical symbols according to EN 13792 for convenient indication of media.
- Replaceable top assemblies are supplied for easy maintenance
- Specialised needle valve top assemblies give precise flow and regulation.

To Specify

The TR Dry Services series of ProLab® laboratory tapware is supplied standard with fixed outlet, Stirling DIN 13792 approved easy use handle and button, 15mm male BSP inlet and fine control needle valve all finished in white epoxy coat.

Code: TR31N

ProLab® Dry Services 2-Way Valve Wall Mounted 90° Outlet



A family
owned
Australian
business



galvinspecialised
commercial taps + valves

Technical Specifications

Handle: Brass, with media indication according to EN13792

Hose nozzle: Detachable nozzle

Headwork: Needle Valve

Opening/closing function: 3 x 360°

Max. Working pressure: 700kPa

Test pressure: 1.5 x working pressure

Materials With Media Contact

Metals: Brass

Plastics: PP, PTFE

Sealing: Brass & Teflon

Lubricant: Dependant on media being used.
(Refer to Lubricant Chart on website).

Performance Standards & Approvals

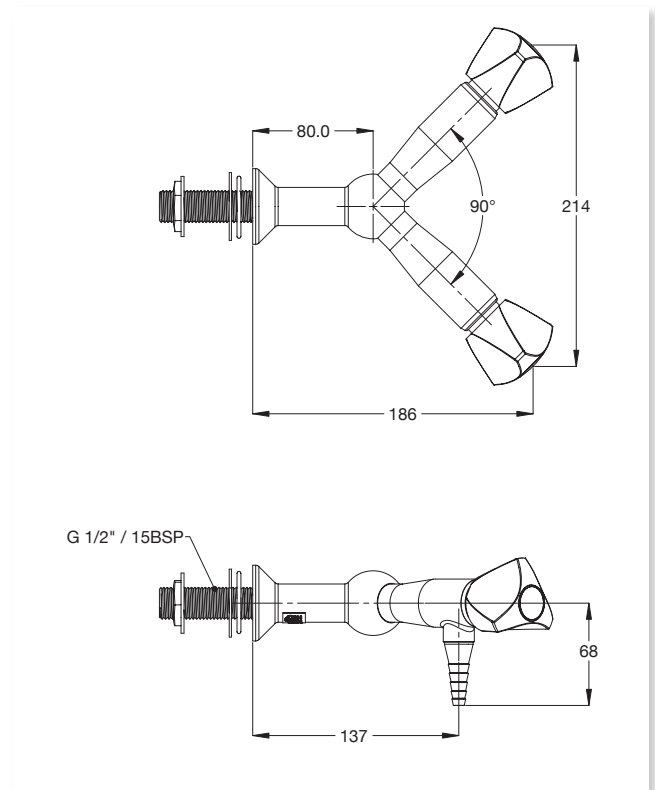
- AGA Approved – Lic 5096



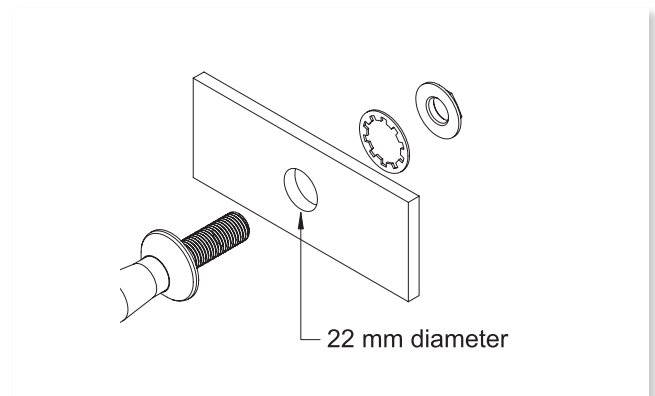
Warranty

Galvin Engineering's Tapware products, unless specified otherwise have a 1 year warranty: excludes damage to headworks from pieces of copper tube, plastic tube, sand, dirt or thread tape etc. Water conditions must comply with national standards and all headworks or valves will be subject to annual maintenance procedures. Please refer to our Manufacturer's Warranty at www.galvinengineering.com.au for full detail.

Typical Dimensions



Mounting Information



Whilst all reasonable care has been taken in compiling the information in this document, the designs, dimensions and products shown are indicative only and should not be relied upon without our prior approval. Due to our policy of continuous development, we reserve the right to alter any details of specifications or products without notice. All information, drawings, technical specifications and product designs remains the property of Galvin Engineering Pty Ltd.

410 Victoria Rd, Malaga, WA 6090

Within Australia: **1300 514 074** Outside Australia: P: +61 (0)8 9249 5900

F: +61 (0)8 9249 5916

sales@galvinspecialised.com.au

www.galvinspecialised.com.au

ABN: 78 008 719 382

PERTH | SYDNEY | MELBOURNE | BRISBANE | ADELAIDE

A business unit of

GalvinEngineering
the mark of reliability

