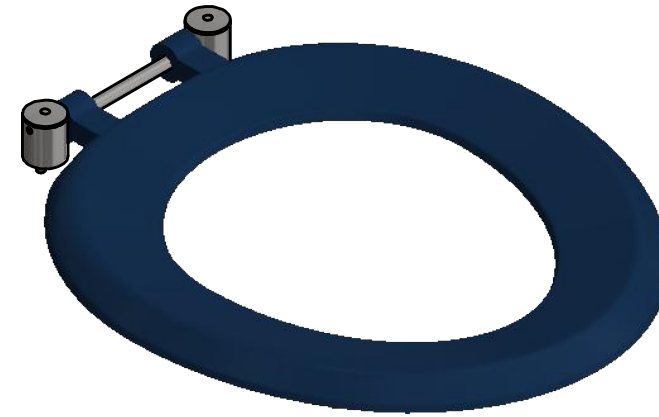


NOTES:

1. WC SEATS ARE SUPPLIED WITH THE STAINLESS STEEL SECURE HINGE TSH001, AS SHOWN

REVISION HISTORY				
REV	DATE	DESCRIPTION	BY	CHKD
1	26/07/2016	CREATED	RD	DB

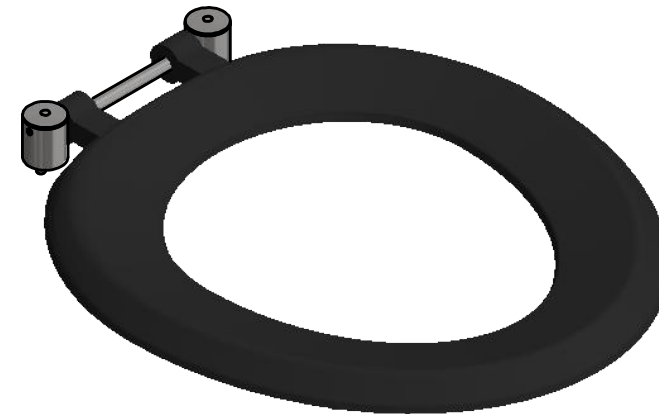
TS0006 SEAT NO LID - INNAS BLUE



TS0004 SEAT NO LID - WHITE



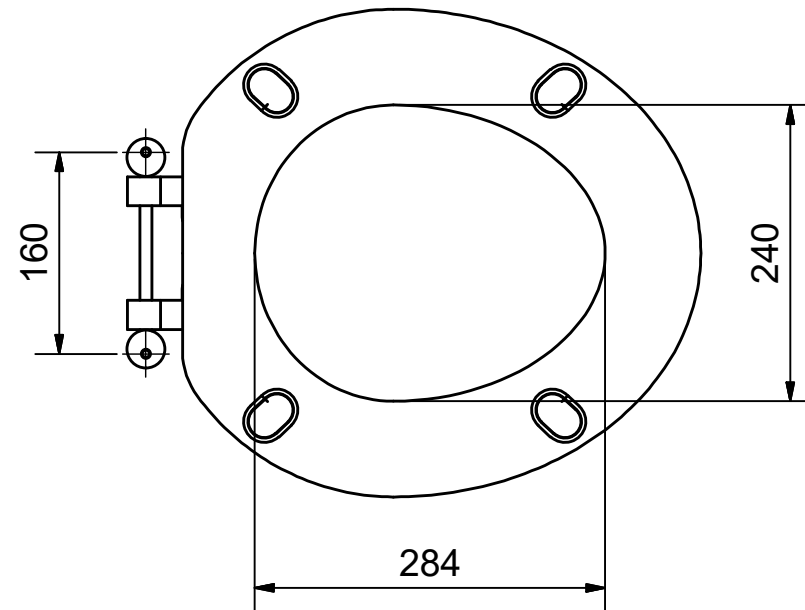
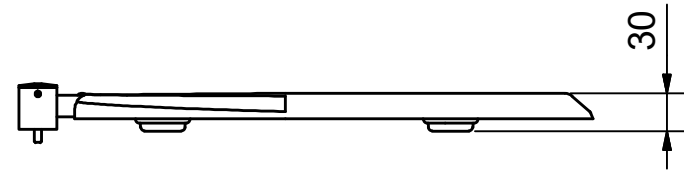
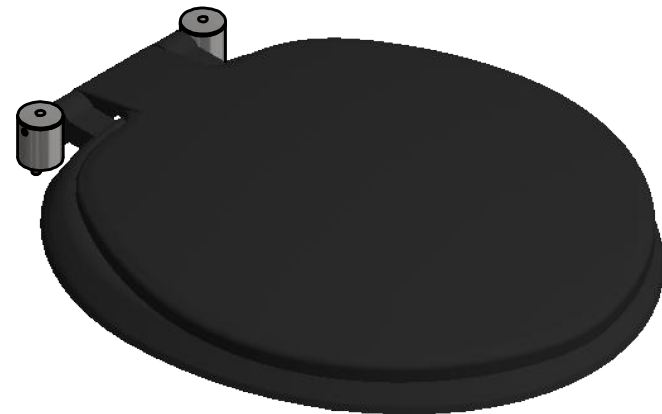
TS0005 SEAT NO LID - BLACK



TS0002 SEAT WITH LID - WHITE



TS0003 SEAT WITH LID - BLACK



© 2016 Copyright THIS DRAWING IS THE PROPERTY OF WALLGATE LIMITED AND IS ISSUED ON THE STRICT UNDERSTANDING THAT THE INFORMATION CONTAINED WILL NOT BE REPRODUCED, COPIED OR USED WITHOUT PRIOR AGREEMENT OF WALLGATE LTD.



TITLE: WC SEAT OPTIONS

Drg No: GA-TS000#

Model/Client/Project:

MATERIAL:

FINISH:

Limits: (unless stated)
 ± 0.25mm (sheetmetal)
 ± 0.10mm (machined)
 ± 2.00mm (pattern)
 ± 5.00mm (moulded)

All dimensions in mm,
 All angles 90° (unless stated)

Scale: NTS

A3 3rd