

# Galvin Flamingo Infrared Hob Basin Tap Single Temperature

Mains Power

Specification Data Sheet



## Technical Information

- Operating pressure: 30kPa - 500kPa
- Maximum water temperature: 80°C
- Aerator: Economy aerator, cascade (self-cleaning)
- Inlet Connections: Flexible hoses at 350mm long
- Strainers: 0.5mm mesh size
- Sensor sensitivity: Automatic self-adapting sensor technology
- Sensor range nominal: 102mm - 127mm
- Hygienic rinse time: 2 minutes pre-set (adjustable from 0.5 - 20 minutes)
- Temporary off: 2 minute (fixed)
- Time out setting: 2 minutes — Maximum time tap will run upon continuous detection
- Engineering standards: Noise class I, DIN EN 200; P-IX 9576 / IA

## To Specify

Galvin Flamingo Infrared hob mounted, chrome-plated electronic tapware is ideal for high-end or private restrooms that call for the convenience of automatic activation with the option of user-controlled settings. An optional control lever on the side of the one-piece tap allows restroom visitors to set the faucet to the desired temperature.

### Code:

**TZ-FL20SM** – Galvin Flamingo Infrared Hob Mounted Basin Tap - Single Temperature - Mains Power



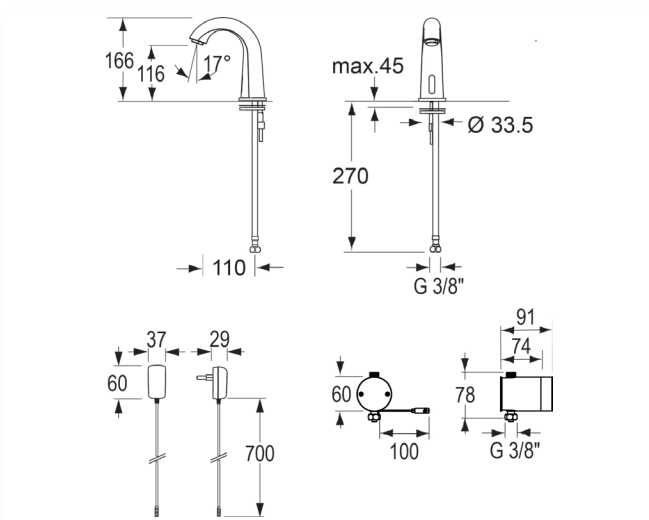
A family  
owned  
Australian  
business

  
**galvinspecialised**  
commercial taps + fixtures

## Standard Features

- Modular one piece construction with all serviceable components above the basin
- Temperature adjustable (with mixer)
- Double infrared sensor with automatic setting feature and microprocessor
- Bi-Stable magnetic solenoid valve (for increased energy savings)
- Water Supply Connection with flexible high pressure hose and strainer
- Iqua click feature enables temporary - off (for cleaning purposes) or continuous water flow (for filling the basin)
- Appropriate mounting hardware included
- Check valves and built in strainers
- 12 or 24 hour hygienic rinse activatable
- Installation similar to conventional single lever tap

## Typical Dimensions



## Performance Standards & Approvals

- AS/NZS 3718 - WaterMark
- WELS 6 Star Rating
- Engineering standards: DIN EN 200; CE



Whilst all reasonable care has been taken in compiling the information in this document, the designs, dimensions and products shown are indicative only and should not be relied upon without our prior approval. Due to our policy of continuous development, we reserve the right to alter any details of specifications or products without notice. All information, drawings, technical specifications and product designs remains the property of Galvin Engineering Pty Ltd.

## Operation

As the user's hands enter the beam's effective range, the beam is reflected back into the sensor receiver and activates the solenoid valve allowing water to flow from the tap. Water will flow until the hands are removed or until the tap reaches its automatic time out limit setting.

## Maintenance & Cleaning

Galvin Specialised products should be cleaned with a soft damp cloth using only mild liquid detergent or soap and water. Do not use cleaning agents containing a corrosive acid, scouring agent or solvents. Do not use cream cleaners, as they are abrasive. Use of unsuitable cleaning agents may damage the surface. Any damage caused in this way will not be covered by warranty.

Regular maintenance should be carried out in accordance with the installation and troubleshooting guides provided with the product, relevant Australian Standards, local authorities and state codes.

## Warranty

Galvin Specialised products are covered under our Manufacturer's Warranty at [www.galvinengineering.com.au](http://www.galvinengineering.com.au). Galvin Specialised products must be installed in accordance with the installation instructions and in accordance with AS3500 and the PCA, relevant Australian Standards and local authorities applicable to product being installed. Water and electrical supply conditions must also comply to the applicable national and/or state standards, failing to comply with these provisions may void the product warranty and affect performance of the product.

410 Victoria Rd, Malaga, WA 6090

Within Australia: **1300 514 074** Outside Australia: P: +61 (0)8 9249 5900

F: +61 (0)8 9249 5916

[sales@galvinengineering.com.au](mailto:sales@galvinengineering.com.au)

[www.galvinengineering.com.au](http://www.galvinengineering.com.au)

ABN: 78 008 719 382

PERTH | SYDNEY | MELBOURNE | BRISBANE | ADELAIDE

A business unit of

**GalvinEngineering**   
the mark of reliability