

Flowmatic® Concealed Sensor Assembly with Stainless Steel Face Plate and CliniLever® Fixed Wall Outlet

Specification Data Sheet



Features

Electronic Sensor

- Sensor face is designed to be mounted flush into the wall/trough to minimise the growth of dirt or bacteria
- The multiple time cycle options is able to be adjusted on site, which allows the facility manager the flexibility of adjusting to suit user requirements
- Built in capacitors and easy fit electrical filters to help suppress external noise, and provide a continuous reliable delivery of water
- Also available in a Bluetooth Connectivity option which then allows facility managers to program-specific hygiene times and other features

Spout

- Angled spout to help minimise the storage of unused water and reduce the spread of Legionella
- Laminar nozzle supplied standard to reduce the risk of the spread of Legionella
- WELS rated 4 star to reduce water consumption and wastage costs

Solenoid

- 24 volt low power usage solenoid to reduce the power usage and costs
- Slow close to minimise the impact of water hammer within the plumbing system

To Specify

Our Galvin Specialised TZ-FLOWTAPC225 stainless steel wall mounter infra red sensor with 225mm long outlet is designed for use in health, mental health and aged care facilities, commercial kitchens, schools, factories and shopping centres.

Robust and reliable our Flowmatic® sensor range is water conserving and cost-effective.

Code:

TZ-FLOWTAPC225 - Flowmatic® Concealed Sensor Ass with SS Face Plate & CliniLever® Fixed Wall Outlet 225



A family
owned
Australian
business



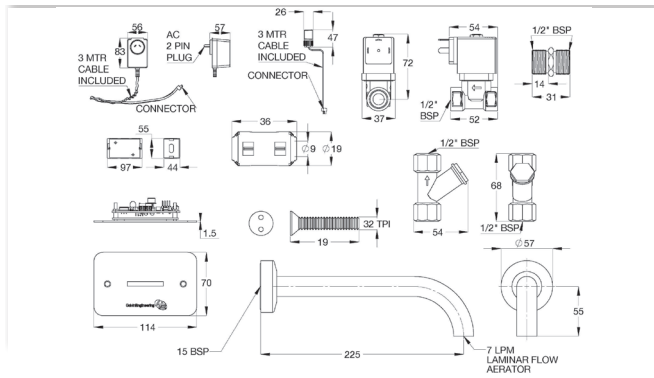
galvinspecialised
commercial taps + fixtures

Performance Standards & Approvals

- AS/NZS 3718
- WELS 4 Star Rating



Technical Dimensions



ITEM DESCRIPTION

- | ITEM | DESCRIPTION |
|------|--|
| 1 | Galvanised inwall box 1 (94X54x39) |
| 2 | Stainless Steel face plate with concealed 24AC wall sensor for TZ-FLOWTAPC24 |
| 3 | Stainless Steel Snake Eye Csk Screw 6G-32TPI x 1½ long |
| 4 | Stainless Steel Key to suit 6G-32Tpi Snake Eye Screw |
| 5 | Round cable suppression cores 8mm for electronics |
| 6 | Connector Plug Assembly for Solenoid Valves 24V AC |
| 7 | Brass nipple hex red 15X10 |
| 8 | Brass Y Line strainer 15 |
| 9 | Brass solenoid valve 24V AC Only 15 BSP |
| 10 | Transformer 24V AC 0.9 Amp for Flowmatic Electronic Tapware |

Operation and Adjustment

The TZ-FLOWTAPC24 is activated by passing your hand in front of the sensor face within a distance of 50mm – 100mm. The water will continue to flow until either:

- Your hand passes in front of the sensor again or
- The chosen time frame has passed.

Maintenance & Cleaning

Galvin Engineering products should be cleaned with a soft damp cloth using only mild liquid detergent or soap and water. Do not use cleaning agents containing a corrosive acid, scouring agent or solvents. Do not use cream cleaners, as they are abrasive. Use of unsuitable cleaning agents may damage the surface. Any damage caused in this way will not be covered by warranty.

Regular maintenance should be carried out in accordance with the installation and troubleshooting guides provided with the product, relevant Australian Standards, local authorities and state codes.

As part of maintaining a safe and reliable plumbing system, we recommend tapware and valves are operated on at least a daily basis.

Warranty

Galvin Engineering products are covered under our Manufacturer's Warranty at www.galvinengineering.com.au. Galvin Engineering products must be installed in accordance with the installation instructions and in accordance with AS3500 and the PCA, relevant Australian Standards and local authorities applicable to product being installed. Water and electrical supply conditions must also comply to the applicable national and/or state standards, failing to comply with these provisions may void the product warranty and affect performance of the product.

Whilst all reasonable care has been taken in compiling the information in this document, the designs, dimensions and products shown are indicative only and should not be relied upon without our prior approval. Due to our policy of continuous development, we reserve the right to alter any details of specifications or products without notice. All information, drawings, technical specifications and product designs remains the property of Galvin Engineering Pty Ltd.

Within Australia: **1300 514 074** Outside Australia: P: +61 (0)8 9338 2344
 F: +61 (0)8 9338 2340
sales@galvinengineering.com.au
www.galvinengineering.com.au
 ABN: 78 008 719 382

A business unit of
GalvinEngineering
 the mark of reliability 

PERTH | SYDNEY | MELBOURNE | BRISBANE | ADELAIDE | UNITED STATES OF AMERICA | UNITED KINGDOM | NEW ZEALAND