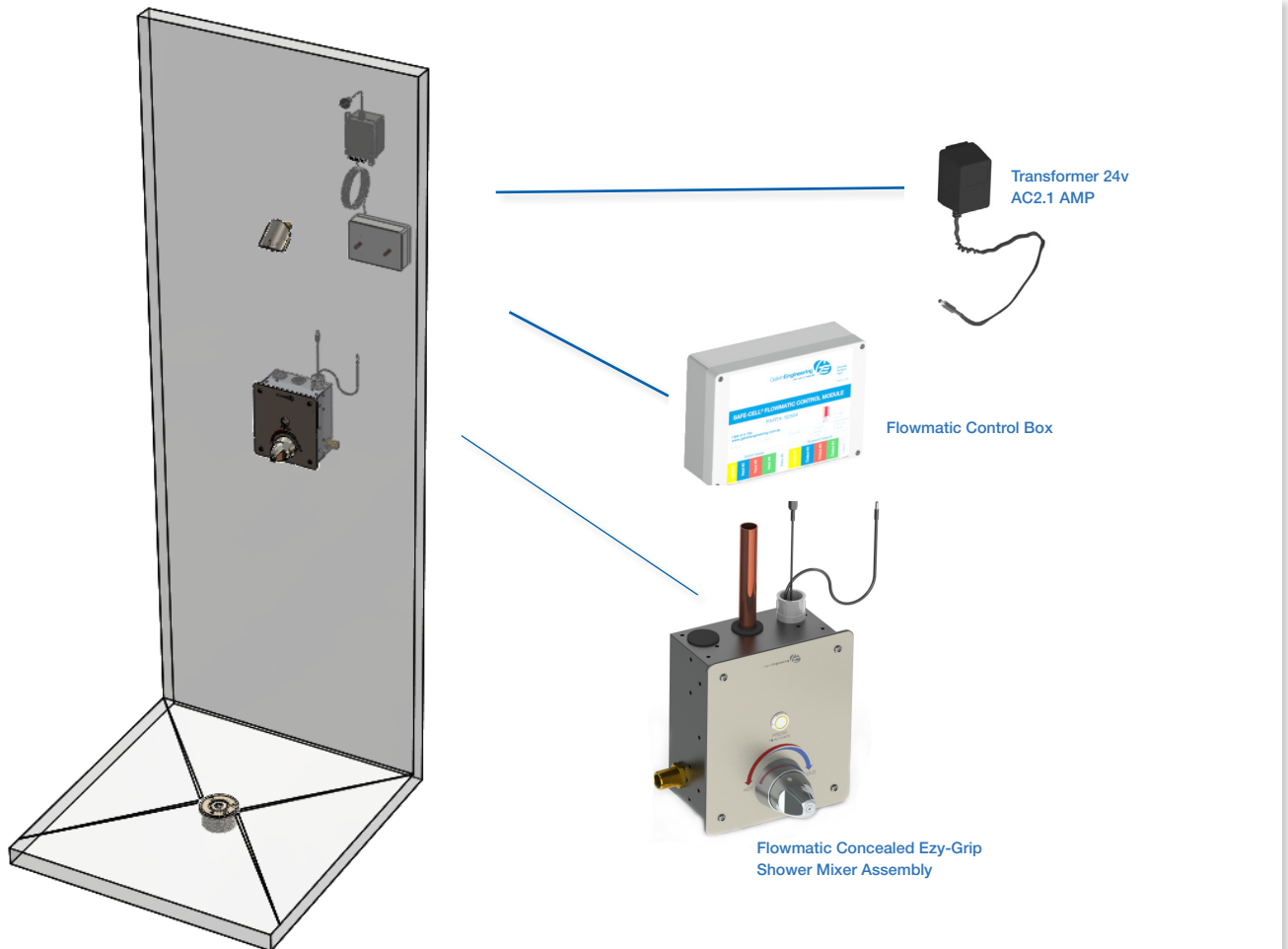


# Flowmatic® Safe-Cell® Ezy-Grip Electronic Shower Mixer Assembly

Specification Data Sheet



## Description

The Galvin Specialised Safe-Cell® Flowmatic® fully programmable shower combines a unique electronic valve assembly, with mixing capabilities to provide total water control that suit a variety of different installations. In addition, the electronic system uses a cell-call illuminated button assembly, which have been designed to suit the guidelines for anti-ligature applications.

## To Specify

Code:

**TZ-FLOWTMSHWIN** - Flowmatic® Safe-Cell® Concealed Ezy-Grip Shower Mixer Assembly with controller

**NOTE:** Safe-Cell shower rose ordered separately - #40691



A family  
owned  
Australian  
business

  
**galvinspecialised**  
commercial taps + fixtures

## Standard Features

- Control module caters for up to 5 in-wall shower boxes
- Controller is able to be set up for required run times. Lock out times are also available on request.
- Shower box will mix between supplied hot water temperature to supplied cold water temperature. We recommend the use of a TMV to provide safe showering temperature is supplied to hot side.
- The Stainless Steel Cell Call Button assembly is illuminated when connected and available for use.

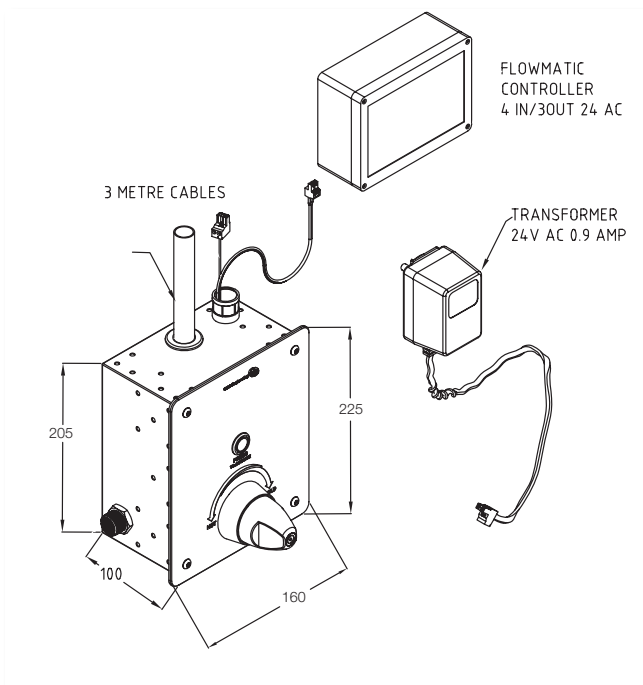
## Function

### Shower:

- The shower is activated by pressing the stainless steel button. Once activated the water will flow for the factory preset time of 5 minutes or until deactivated by pressing the button again.

### Run Time:

- The factory present run time is 5 minutes, but can be adjusted to the following times, 1-9 minutes in increments of one minute. Other times can be programmed based on end users requirements. (This needs to be done at time of order).



## Requirements

- The control box and sensors must be mounted within 5 metres of the shower box
- A 220 - 240V 50Hz 10 amp general purpose outlet must be supplied within 4 metre of the control box.
- All plumbing must comply with AS/NZS 3500.

## Maintenance & Cleaning

Galvin Specialised products should be cleaned with a soft damp cloth using only mild liquid detergent or soap and water. Do not use cleaning agents containing a corrosive acid, scouring agent or solvents. Do not use cream cleaners, as they are abrasive. Use of unsuitable cleaning agents may damage the surface. Any damage caused in this way will not be covered by warranty.

Regular maintenance should be carried out in accordance with the installation and troubleshooting guides provided with the product, relevant Australian Standards, local authorities and state codes.

## Warranty

Galvin Specialised products are covered under our Manufacturer's Warranty at [www.galvinengineering.com.au](http://www.galvinengineering.com.au). Galvin Specialised products must be installed in accordance with the installation instructions and in accordance with AS3500 and the PCA, relevant Australian Standards and local authorities applicable to product being installed. Water and electrical supply conditions must also comply to the applicable national and/or state standards, failing to comply with these provisions may void the product warranty and affect performance of the product.

Whilst all reasonable care has been taken in compiling the information in this document, the designs, dimensions and products shown are indicative only and should not be relied upon without our prior approval. Due to our policy of continuous development, we reserve the right to alter any details of specifications or products without notice. All information, drawings, technical specifications and product designs remains the property of Galvin Engineering Pty Ltd.

410 Victoria Rd, Malaga, WA 6090  
 Within Australia: **1300 514 074** Outside Australia: P: +61 (0)8 9249 5900  
 F: +61 (0)8 9249 5916  
[sales@galvinengineering.com.au](mailto:sales@galvinengineering.com.au)  
[www.galvinengineering.com.au](http://www.galvinengineering.com.au)

ABN: 78 008 719 382

PERTH | SYDNEY | MELBOURNE | BRISBANE | ADELAIDE

A business unit of

**GalvinEngineering**   
 the mark of reliability