

# Galvin Ultra GM10 Infrared Hob Basin Tap with Temperature Mixer - Mains Power

Specification Data Sheet



## Technical Information

- Operating pressure: 30kPa - 500kPa
- Maximum water temperature: 80°C
- Inlet Connections: Flexible hoses at 350mm long
- Filters: 0.5mm mesh size
- Sensor-sensitivity: Automatic self-adapting sensor technology
- Follow-up time: 1 second pre-set (adjustable with iqua-click 0-10 seconds)
- Continuous water flow and hygienic rinse time: 2 minutes pre-set (adjustable with Touch 0.5-20 minutes)
- Temporary-off: 2 minutes (fixed)
- Engineering standards: DIN EN 200; CE

## To Specify

The Galvin Ultra GM Series of range of chrome plated sensor tapware offer superior performance in any commercial or private restroom. Its hands free operation provides users a hygienic handwashing experience while reducing water and energy consumption.

### Code:

**TZ-GM10MM** – Galvin Ultra GM10 Infrared Hob Basin Tap 178mm with Temperature Mixer - Mains Power



A family  
owned  
Australian  
business

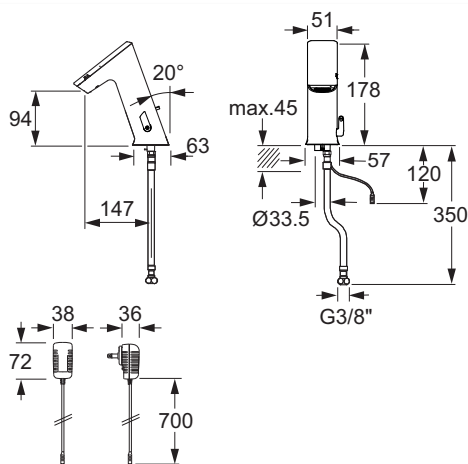


**galvin'sspecialised**  
commercial taps + fixtures

## Standard Features

- Modular one piece construction with all serviceable components above the basin
- All wetted components to be stainless steel, engineered thermoplastic, EPDM and copper or copper alloy
- Solenoid housed in removable carrier that includes supply strainer.
- Integral above the basin water supply shut off
- Vandal resistant spray insert, housed inside tap body
- Bi-stable magnetic solenoid
- Battery backup (included 4 AA alkaline batteries)
- Double infrared sensors with automatic setting feature
- Single hole installation
- Line purge mode, eliminates stagnant water
- Adjustable time-outs 12 or 24 hour hygienic rinse activated with iqua-Touch

## Typical Dimensions



## Performance Standards & Approvals

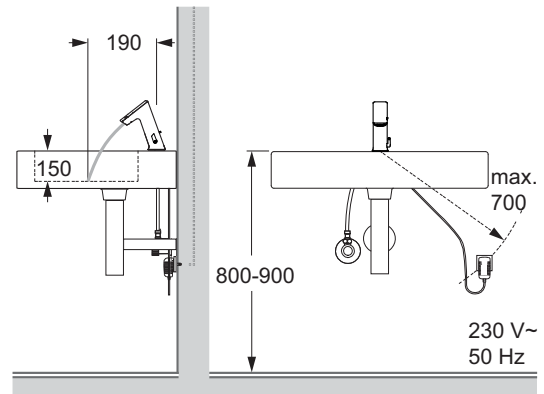
- AS/NZS 3718 - WaterMark
- WELS 6 Star Rating
- Engineering standards: DIN EN 200; CE



Whilst all reasonable care has been taken in compiling the information in this document, the designs, dimensions and products shown are indicative only and should not be relied upon without our prior approval. Due to our policy of continuous development, we reserve the right to alter any details of specifications or products without notice. All information, drawings, technical specifications and product designs remains the property of Galvin Engineering Pty Ltd.

## Operation

As the user's hands enter the beam's effective range, the beam is reflected back into the sensor receiver and activates the solenoid valve allowing water to flow from the tap. Water will flow until the hands are removed or until the tap reaches its automatic time out limit setting.



## Maintenance & Cleaning

Galvin Specialised products should be cleaned with a soft damp cloth using only mild liquid detergent or soap and water. Do not use cleaning agents containing a corrosive acid, scouring agent or solvents. Do not use cream cleaners, as they are abrasive. Use of unsuitable cleaning agents may damage the surface. Any damage caused in this way will not be covered by warranty.

Regular maintenance should be carried out in accordance with the installation and troubleshooting guides provided with the product, relevant Australian Standards, local authorities and state codes.

## Warranty

Galvin Specialised products are covered under our Manufacturer's Warranty at [www.galvinengineering.com.au](http://www.galvinengineering.com.au). Galvin Specialised products must be installed in accordance with the installation instructions and in accordance with AS3500 and the PCA, relevant Australian Standards and local authorities applicable to product being installed. Water and electrical supply conditions must also comply to the applicable national and/or state standards, failing to comply with these provisions may void the product warranty and affect performance of the product.

410 Victoria Rd, Malaga, WA 6090

Within Australia: **1300 514 074** Outside Australia: P: +61 (0)8 9249 5900

F: +61 (0)8 9249 5916

[sales@galvinengineering.com.au](mailto:sales@galvinengineering.com.au)

[www.galvinengineering.com.au](http://www.galvinengineering.com.au)

ABN: 78 008 719 382

PERTH | SYDNEY | MELBOURNE | BRISBANE | ADELAIDE

**GalvinEngineering**  
the mark of reliability