

Conti Electronic Ultra GM10 Expert Infrared Hob Basin Tap 178 with Temperature Mixing & LCD - Solar

Specification Data Sheet



Features

- Modular one-piece construction with all serviceable components accessed from above the unit
- Dual infrared sensors with automatic setting feature
- Reliable solenoid valve
- Self adjusting and fully programmable
- Easy to install and maintain
- Bi-Stable energy saving valve
- Iqua-Click feature enables temporary off (for cleaning purposes) or continuous water flow (for basin filling)
- Vandal proof construction and security shut off
- Vandal resistant aerator
- Check valves and built in filters
- Adjustable or fixed temperature
- Integrated automatic shut-off for replacing or cleaning the filter
- Adjustable time-outs 12 or 24 hour hygienic rinse activated with iqua-Touch

To Specify

The Conti Ultra GM Series range of chrome plated sensor tapware offer superior performance in any commercial or private restroom. Its hand's free operation provides users with a hygienic hand washing experience while reducing water and energy consumption.

Code:

TZ-GM10XMB – Conti Electronic Ultra GM10 Expert Infrared Hob Basin Tap with Temperature Mixing and LCD - Solar



A family
owned
Australian
business



Performance Standards & Approvals

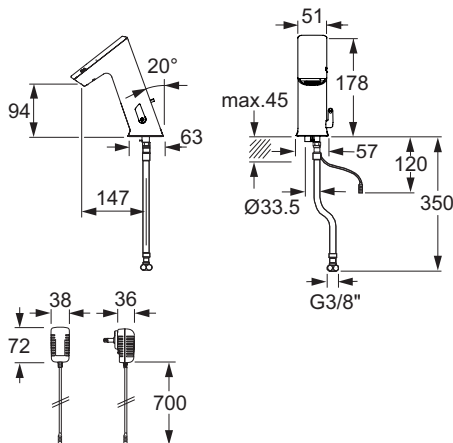
- AS/NZS 3718 - WaterMark
- WELS 6 Star Rating



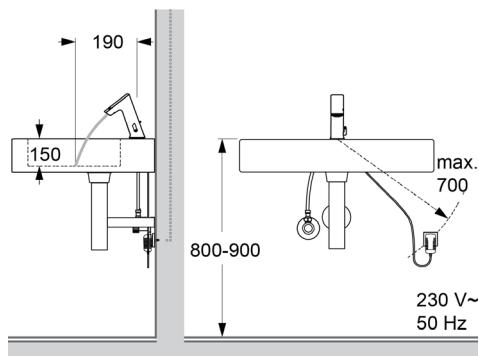
WaterMark
AS/NZS 3718 Lic. WMKA 20371
SAI Global



Typical Dimensions



Typical Installation



Warranty

Galvin Engineering products are covered under our Manufacturer's Warranty at www.galvinengineering.com.au. Galvin Engineering products must be installed in accordance with the installation instructions and in accordance with AS3500 and the PCA, relevant Australian Standards and local authorities applicable to product being installed. Water and electrical supply conditions must also comply to the applicable national and/or state standards, failing to comply with these provisions may void the product warranty and affect performance of the product.

Whilst all reasonable care has been taken in compiling the information in this document, the designs, dimensions and products shown are indicative only and should not be relied upon without our prior approval. Due to our policy of continuous development, we reserve the right to alter any details of specifications or products without notice. All information, drawings, technical specifications and product designs remains the property of Galvin Engineering Pty Ltd.

Technical Information

- Operating pressure: 30kPa - 500kPa
- Max. water temperature: 80°C
- Flexible hoses: 350mm
- Filters: 0.5mm mesh size
- Sensor-sensitivity: Automatic self-adapting sensor technology
- Follow-up time: 1 second pre-set (adjustable with iqua-touch 0-10 sec)
- Continuous water flow and hygienic rinse time: 2 minute pre-set (adjustable with iqua-touch 0.5-20 minutes)
- Power supply: Photovoltaic cell in combination with 4 x 1.5V Alkaline AA batteries for back up support

Operation

As the user's hands enter the beam's effective range, the beam is reflected back into the sensor receiver and activates the solenoid valve allowing water to flow from the tap. Water will flow until the hands are removed or until the tap reaches its automatic time out limit setting.

Maintenance & Cleaning

Galvin Specialised products should be cleaned with a soft damp cloth using only mild liquid detergent or soap and water. Do not use cleaning agents containing a corrosive acid, scouring agent or solvents. Do not use cream cleaners, as they are abrasive. Use of unsuitable cleaning agents may damage the surface. Any damage caused in this way will not be covered by warranty.

Regular maintenance should be carried out in accordance with the installation and troubleshooting guides provided with the product, relevant Australian Standards, local authorities and state codes.

As part of maintaining a safe and reliable plumbing system, we recommend tapware and valves are operated on at least a daily basis.

Within Australia: **1300 514 074** Outside Australia: P: +61 (0)8 9338 2344
F: +61 (0)8 9338 2340
sales@galvinengineering.com.au
www.galvinengineering.com.au
ABN: 78 008 719 382

A business unit of

GalvinEngineering
the mark of reliability



PERTH | SYDNEY | MELBOURNE | BRISBANE | ADELAIDE | UNITED STATES OF AMERICA | UNITED KINGDOM | NEW ZEALAND