

Flowmatic® Wave on Activated Concealed Sensor Assembly with Solenoid - 6V Battery Powered

Specification Data Sheet



Features

- Available in either mains or battery powered options
- Robust vandal resistant design
- Australian Made; therefore, spare parts and support are available locally, reducing maintenance and downtime costs

To Specify

Australian Made AS/NZS 3718 approved, Galvin Specialised Flowmatic® Wave On Activated Concealed Sensor Assembly with Solenoid is designed for health and commercial areas where hands-free activation is required.

Robust and reliable, our Flowmatic® Wave On Activated Concealed Sensor Assembly with Solenoid is water conserving and cost-effective.

Code:

TZ-IQWAVEB - Flowmatic® Wave on Activated Concealed Sensor Assembly with Solenoid - 6V Battery Powered



A family
owned
Australian
business



galvinspecialised
commercial taps + fixtures

Performance Standards & Approvals

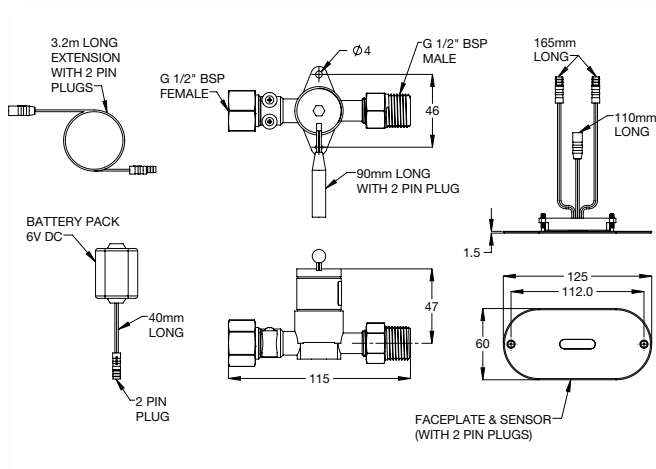
- AS/NZS 3718 - WaterMark



WaterMark

AS/NZS 3718 Lic. WMKA0034
SAI Global

Typical Dimensions



Technical Information

- Inlet: 1/2" BSP - Female
- Outlet: 1/2" BSP - Male
- Headwork: Solenoid
- Battery: Activation per day - 150 / Life - 4 years
- Working Pressure Range (kPa): 50 Min - 500 Max
- Working Temperature Range (°C): 5 Min - 80 Max
- Finish: Stainless Steel

Maintenance & Cleaning

Galvin Engineering products should be cleaned with a soft damp cloth using only mild liquid detergent or soap and water. Do not use cleaning agents containing a corrosive acid, scouring agent or solvents. Do not use cream cleaners, as they are abrasive. Use of unsuitable cleaning agents may damage the surface. Any damage caused in this way will not be covered by warranty.

Regular maintenance should be carried out in accordance with the installation and troubleshooting guides provided with the product, relevant Australian Standards, local authorities and state codes.

As part of maintaining a safe and reliable plumbing system, we recommend tapware and valves are operated on at least a daily basis.

Warranty

Galvin Engineering products are covered under our Manufacturer's Warranty at www.galvinengineering.com.au. Galvin Engineering products must be installed in accordance with the installation instructions and in accordance with AS3500 and the PCA, relevant Australian Standards and local authorities applicable to product being installed. Water and electrical supply conditions must also comply to the applicable national and/or state standards, failing to comply with these provisions may void the product warranty and affect performance of the product.

Whilst all reasonable care has been taken in compiling the information in this document, the designs, dimensions and products shown are indicative only and should not be relied upon without our prior approval. Due to our policy of continuous development, we reserve the right to alter any details of specifications or products without notice. All information, drawings, technical specifications and product designs remains the property of Galvin Engineering Pty Ltd.

Within Australia: **1300 514 074** Outside Australia: P: +61 (0)8 9338 2344
F: +61 (0)8 9338 2340
sales@galvinengineering.com.au
www.galvinengineering.com.au
ABN: 78 008 719 382

A business unit of

GalvinEngineering
the mark of reliability



PERTH | SYDNEY | MELBOURNE | BRISBANE | ADELAIDE | UNITED STATES OF AMERICA | UNITED KINGDOM | NEW ZEALAND