

# Galvin Lino L10 Infrared Hob Basin Tap with Temperature Mixer - Mains Power

Specification Data Sheet



## Standard Features

- Modular one piece construction with all serviceable components above the basin
- Double infrared sensor with automatic setting feature and microprocessor
- Bi-Stable magnetic solenoid valve (for increased energy savings)
- Water supply connection with flexible high pressure hose and strainer
- Temperature adjustable or fixable (vandal-proof construction)
- Check valves and built in strainers
- 12 or 24-hour hygienic rinse activatable
- Installation similar to conventional single-lever tap

## To Specify

Galvin Lino L10 hob mounted, chrome plated electronic tapware is ideal for high-end or private restrooms that call for the convenience of automatic activation with the option of user-controlled settings. An optional control lever on the side of the one-piece tap allows restroom visitors to set the faucet to the desired temperature.

### Code:

**TZ-L10MM** – Galvin Lino L10 Infrared Hob Basin Tap with Temperature Mixer - Mains Power



A family  
owned  
Australian  
business

  
**galvin**specialised  
commercial taps + fixtures

## Performance Standards & Approvals

- AS/NZS 3718:2005 WaterMark
- WELS 6 Star Rating



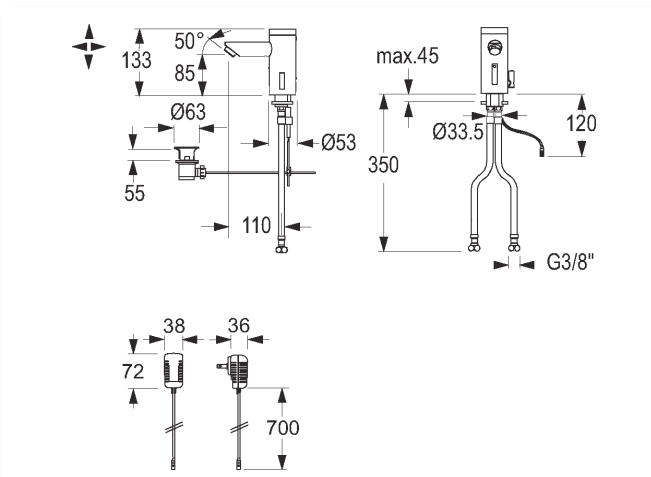
WaterMark

AS/NZS 3718 Lic. WMKA 20371  
SAI Global

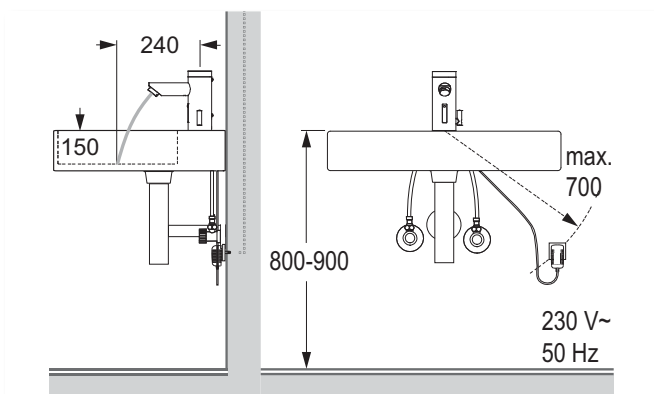


This tap not only passes the Australian Standard testing for portable water (AS/NZS 4020), it also complies with s1417 of the Safe Drinking Water Act in the USA and complies with NSF61 / NSF372. Therefore, in the USA this tap can be labelled as 'lead free'. In addition, all metallic materials used in this tap are listed on the European Standard (4MS Common Approach), which ensures they meet the strict German Drinking Water Guidelines.

## Typical Dimensions



## Typical Installation



Whilst all reasonable care has been taken in compiling the information in this document, the designs, dimensions and products shown are indicative only and should not be relied upon without our prior approval. Due to our policy of continuous development, we reserve the right to alter any details of specifications or products without notice. All information, drawings, technical specifications and product designs remains the property of Galvin Engineering Pty Ltd.

## Technical Information

- Operating pressure: 30kPa - 500kPa
- Maximum water temperature: 80°C
- Aerator: Economy aerator, cascade (self-cleaning)
- Inlet Connections: flexible hoses at 350mm long
- Strainers: 0.5mm mesh size
- Sensor-sensitivity: Automatic self-adapting sensor
- Sensor range nominal: 102mm - 127mm
- Hygienic rinse time: 2 minutes pre-set (adjustable with iqua-click from 0.5 - 20 minutes)
- Temporary-off: 2 minutes (fixed)
- Time out setting: 2 minutes — Maximum time tap will run upon continuous detection
- Engineering standards: Noise class I, DIN EN 200; P-IX 9576 / IA, CE

## Maintenance & Cleaning

Galvin Specialised products should be cleaned with a soft damp cloth using only mild liquid detergent or soap and water. Do not use cleaning agents containing a corrosive acid, scouring agent or solvents. Do not use cream cleaners, as they are abrasive. Use of unsuitable cleaning agents may damage the surface. Any damage caused in this way will not be covered by warranty.

Regular maintenance should be carried out in accordance with the installation and troubleshooting guides provided with the product, relevant Australian Standards, local authorities and state codes.

## Warranty

Galvin Specialised products are covered under our Manufacturer's Warranty at [www.galvinengineering.com.au](http://www.galvinengineering.com.au). Galvin Specialised products must be installed in accordance with the installation instructions and in accordance with AS3500 and the PCA, relevant Australian Standards and local authorities applicable to product being installed. Water and electrical supply conditions must also comply to the applicable national and/or state standards, failing to comply with these provisions may void the product warranty and affect performance of the product.

410 Victoria Rd, Malaga, WA 6090  
Within Australia: **1300 514 074** Outside Australia: P: +61 (0)8 9249 5900  
F: +61 (0)8 9249 5916  
[sales@galvinengineering.com.au](mailto:sales@galvinengineering.com.au)  
[www.galvinengineering.com.au](http://www.galvinengineering.com.au)

ABN: 78 008 719 382

PERTH | SYDNEY | MELBOURNE | BRISBANE | ADELAIDE

A business unit of

**GalvinEngineering**  
the mark of reliability

