

Conti Lino L10 Infrared Hob Basin Tap with Temperature Mixer - Battery & Solar Operated

Specification Data Sheet



Features

- Modular one piece construction with all serviceable components above the basin.
- Temperature adjustable or fixable (vandal-proof construction).
- Infrared sensor with automatic setting feature and microprocessor.
- Bi-Stable magnetic solenoid valve (for increased energy saving).
- Adjustable hot water limit set (with ISM Mixer).
- Water supply connection with flexible high pressure hose and strainer.
- Iqua-click feature enables temporary - off (for cleaning purposes) or continuous water flow (for filling the basin).
- Check valves and built in strainers.
- 12 or 24 hour hygienic rinse activatable.
- Solar operated with 2 6V Lithium CRP (support batteries).

To Specify

Conti Lino L10 hob mounted, chrome plated electronic tapware is ideal for high-end or private restrooms that require the convenience of automatic activation with the option of user-controlled settings. An optional control lever on the side of the one-piece tap allows restroom visitors to set the faucet to the desired temperature.

Code:

TZ-L10MS – Conti Lino L10 Infrared Hob Basin Tap with Temperature Mixer - Battery & Solar Operated



A family
owned
Australian
business



galvinspecialised
commercial taps + fixtures

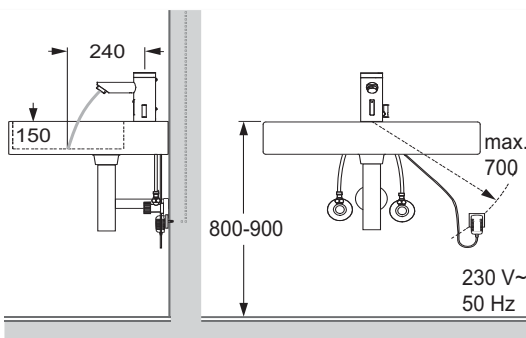
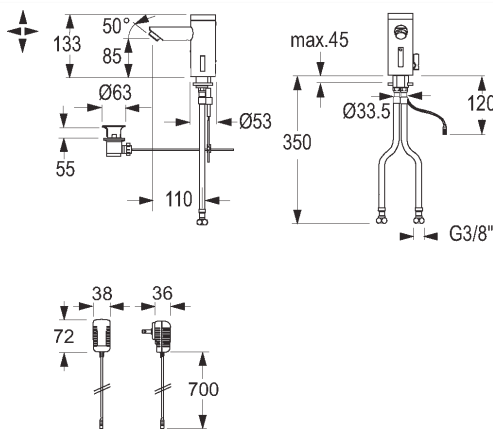
Performance Standards & Approvals

- AS/NZS 3718:2005 - WaterMark
- WELS 6 Star Rating



This tap not only passes the Australian Standard testing for potable water (AS/NZS 4020), it also complies with s1417 of the Safe Drinking Water Act in the USA and complies with NSF61 / NSF372. Therefore, in the USA this tap can be labelled as 'lead free'. In addition, all metallic materials used in this tap are listed on the European Standard (4MS Common Approach), which ensures they meet the strict German Drinking Water Guidelines.

Typical Dimensions



Technical Information

- Operating pressure: 30kPa - 500kPa
- Maximum water temperature: 80°C
- Aerator: Economy aerator, cascade (self-cleaning)
- Inlet connections: Flexible hoses at 350mm long
- Strainers: 0.5mm mesh size
- Sensor-sensitivity: Automatic self-adapting sensor technology
- Sensor range nominal: 102mm - 127mm
- Hygienic rinse time: 2 minutes pre-set (adjustable with iqua-click from 30 seconds to 20 minutes)
- Engineering standards: Noise class I, DIN EN 200; P-IX 9576 / IA, CE

Operation

As the user's hands enter the beam's effective range, the beam is reflected back into the sensor receiver and activates the solenoid valve allowing water to flow from the tap. Water will flow until the hands are removed or until the tap reaches its automatic time out limit setting.

Maintenance & Cleaning

Galvin Specialised products should be cleaned with a soft damp cloth using only mild liquid detergent or soap and water. Do not use cleaning agents containing a corrosive acid, scouring agent or solvents. Do not use cream cleaners, as they are abrasive. Use of unsuitable cleaning agents may damage the surface. Any damage caused in this way will not be covered by warranty.

Regular maintenance should be carried out in accordance with the installation and troubleshooting guides provided with the product, relevant Australian Standards, local authorities and state codes.

As part of maintaining a safe and reliable plumbing system, we recommend tapware and valves are operated on at least a daily basis.

Warranty

Galvin Engineering products are covered under our Manufacturer's Warranty at www.galvinengineering.com.au. Galvin Engineering products must be installed in accordance with the installation instructions and in accordance with AS3500 and the PCA, relevant Australian Standards and local authorities applicable to product being installed. Water and electrical supply conditions must also comply to the applicable national and/or state standards, failing to comply with these provisions may void the product warranty and affect performance of the product.

Whilst all reasonable care has been taken in compiling the information in this document, the designs, dimensions and products shown are indicative only and should not be relied upon without our prior approval. Due to our policy of continuous development, we reserve the right to alter any details of specifications or products without notice. All information, drawings, technical specifications and product designs remains the property of Galvin Engineering Pty Ltd.

Within Australia: **1300 514 074** Outside Australia: P: +61 (0)8 9338 2344
 F: +61 (0)8 9338 2340
sales@galvinengineering.com.au
www.galvinengineering.com.au
 ABN: 78 008 719 382

A business unit of

GalvinEngineering
 the mark of reliability



PERTH | SYDNEY | MELBOURNE | BRISBANE | ADELAIDE | UNITED STATES OF AMERICA | UNITED KINGDOM | NEW ZEALAND