

Galvin Lino L20 Infrared Hob Basin Tap Single Temperature Mixer - Mains Power

Specification Data Sheet



Features

- Modular one piece construction with all serviceable components above basin.
- Infrared sensors with automatic setting feature and microprocessor.
- Bi-Stable magnetic solenoid valve (for increased energy savings).
- Adjustable hot water limit set (with ISM Mixer).
- Water supply connection with flexible high pressure hose and strainer.
- Aqua-click feature enables temporary - off (for cleaning purposes) or continuous water flow (for basin filling).
- Appropriate mounting hardware included.
- Check valves and built in strainers.
- 12 or 24 hour hygienic rinse activatable.

To Specify

Galvin Lino L20 hob mounted, chrome plated electronic tapware is ideal for high-end or private restrooms that call for the convenience of touch free activation with the option of user-controlled settings. Water flows only when needed providing energy savings and convenience.

Code:

TZ-L20SM – Galvin Lino L20 Infrared Hob Basin Tap
Single Temperature Mixer - Mains Power



A family
owned
Australian
business



galvinspecialised
commercial taps + fixtures

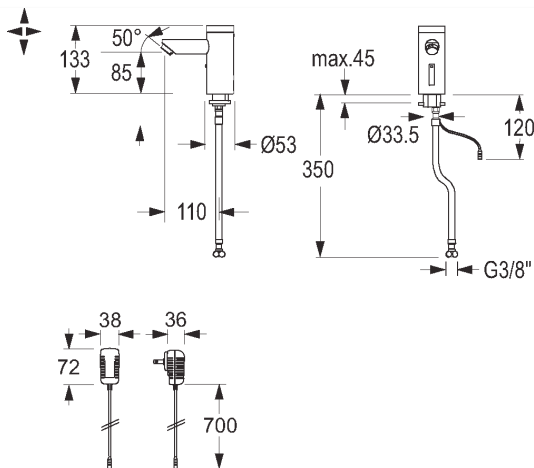
Performance Standards & Approvals

- AS/NZS 3718 - WaterMark
- WELS 6 Star Rating

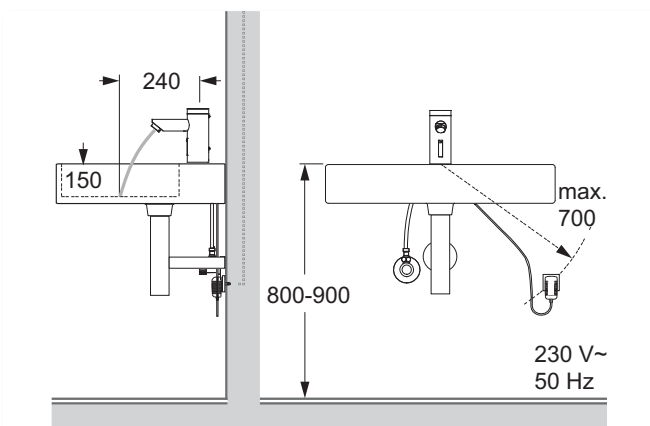


This tap not only passes the Australian Standard testing for portable water (AS/NZS 4020), it also complies with s1417 of the Safe Drinking Water Act in the USA and complies with NSF61 / NSF372. Therefore, in the USA this tap can be labelled as 'lead free'. In addition, all metallic materials used in this tap are listed on the European Standard (4MS Common Approach), which ensures they meet the strict German Drinking Water Guidelines.

Typical Dimensions



Typical Installation



Whilst all reasonable care has been taken in compiling the information in this document, the designs, dimensions and products shown are indicative only and should not be relied upon without our prior approval. Due to our policy of continuous development, we reserve the right to alter any details of specifications or products without notice. All information, drawings, technical specifications and product designs remains the property of Galvin Engineering Pty Ltd.

Technical Specification

- Operating pressure: 30kPa - 500kPa
- Maximum water temperature: 80°C
- Aerator: Economy aerator, cascade (self-cleaning)
- Inlet connections: 350mm long flexible hoses
- Strainers: 0.5mm mesh size
- Sensor-sensitivity: Automatic self-adapting sensor
- Sensor range nominal: 102mm - 127mm
- Hygienic rinse time: 2 minutes pre-set (adjustable from 30 seconds - 20 minutes)
- Temporary-off: 2 minutes (fixed)
- Time out setting: 2 minutes — Maximum time tap will run upon continuous detection
- Power supply: Mains power
- Engineering standards: Noise class I, DIN EN 200; P-IX 9576 / IA, CE

Maintenance & Cleaning

Galvin Specialised products should be cleaned with a soft damp cloth using only mild liquid detergent or soap and water. Do not use cleaning agents containing a corrosive acid, scouring agent or solvents. Do not use cream cleaners, as they are abrasive. Use of unsuitable cleaning agents may damage the surface. Any damage caused in this way will not be covered by warranty.

Regular maintenance should be carried out in accordance with the installation and troubleshooting guides provided with the product, relevant Australian Standards, local authorities and state codes.

As part of maintaining a safe and reliable plumbing system, we recommend tapware and valves are operated on at least a daily basis.

Warranty

Galvin Specialised products are covered under our Manufacturer's Warranty at www.galvinengineering.com.au. Galvin Specialised products must be installed in accordance with the installation instructions and in accordance with AS3500 and the PCA, relevant Australian Standards and local authorities applicable to product being installed. Water and electrical supply conditions must also comply to the applicable national and/or state standards, failing to comply with these provisions may void the product warranty and affect performance of the product.

Within Australia: **1300 514 074** Outside Australia: P: +61 (0)8 9338 2344

F: +61 (0)8 9338 2340

sales@galvinengineering.com.au

www.galvinengineering.com.au

ABN: 78 008 719 382

PERTH | SYDNEY | MELBOURNE | BRISBANE | ADELAIDE

GalvinEngineering 
the mark of reliability