

CliniMix® CP-BS Wall Mounted Thermostatic Progressive Basin Mixer - Lever 75 - 105

Specification Data Sheet



Features

- The first Australian approved progressive mixer with an inbuilt thermal disinfection capability to minimise bacteria build-up
- Has a unique thermal disinfection bypass feature
- Enables water to be mixed closer to the point of discharge reducing legionella risk by minimising warm water stagnation
- Smooth internal and external components to decrease harbouring of bacteria
- Features a hygienic laminar flow outlet
- NSW Health approved
- All servicing and commissioning can be done without penetrating the wall cavity or removing the device. Easy to access isolators helps to minimise the time of commissioning and maintenance

To Specify

CliniMix® Wall Mounted Thermostatic Progressive Basin Mixer. This new design for use in medical or nursing procedures, provides state of the art features to comply with the latest healthcare requirements.

The single lever operates on/off temperature controls for straightforward operation, simplifying hand wash procedures and the long arm is operated with elbows to avoid hand contact.

Suitable for high and low pressure systems it can be set to deliver a thermostatically controlled water temperature of 48°C maximum.

Code:

WM-TMVPMW-90 - CliniMix® CP-BS Wall Mounted Thermostatic Progressive Basin Mixer - Lever- 75-105



A family
owned
Australian
business



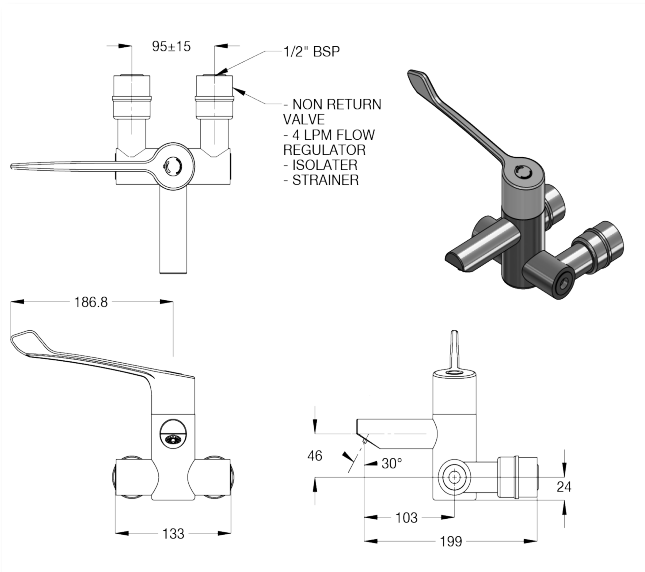
galvinspecialised
commercial taps + fixtures

Performance Standards & Approvals

- AS 4032.4 – WaterMark



Typical Dimension



Technical Information

- Inlet: 1/2" BSP - Female
- Outlet: Flow Straightener
- Headwork: Thermostatic Mixing Valve (TMV)
- Working Pressure Range (kPa): 20 Min - 500 Max
- Working Temperature Range (°C): 5 Min - 85 Max
- Adjustable Temperature Range (°C): 35 Min - 45 Max
- Permitted Supply Pressure Variation: 10:1
- Factory Set Thermostatic Temperature (°C): 39 - 41
- Maximum Thermostatic Temperature (°C): 48
- Nominal Flow Rate (LPM): 8
- Construction: DZR Brass
- Finish: Chrome

Maintenance & Cleaning

Galvin Specialised products should be cleaned with a soft damp cloth using only mild liquid detergent or soap and water. Do not use cleaning agents containing a corrosive acid, scouring agent or solvents. Do not use cream cleaners, as they are abrasive. Use of unsuitable cleaning agents may damage the surface. Any damage caused in this way will not be covered by warranty.

Regular maintenance should be carried out in accordance with the installation and troubleshooting guides provided with the product.

As part of maintaining a safe and reliable plumbing system, we recommend tapware and valves are operated on at least a daily basis.

Warranty

Galvin Engineering products are covered under our Manufacturer's Warranty at www.galvinengineering.com.au. Galvin Engineering products must be installed in accordance with the installation instructions and in accordance with AS3500 and the PCA, relevant Australian Standards and local authorities applicable to product being installed. Water and electrical supply conditions must also comply to the applicable national and/or state standards, failing to comply with these provisions may void the product warranty and affect performance of the product.

Whilst all reasonable care has been taken in compiling the information in this document, the designs, dimensions and products shown are indicative only and should not be relied upon without our prior approval. Due to our policy of continuous development, we reserve the right to alter any details of specifications or products without notice. All information, drawings, technical specifications and product designs remains the property of Galvin Engineering Pty Ltd.

Within Australia: **1300 514 074** Outside Australia: P: +61 (0)8 9338 2344
 F: +61 (0)8 9338 2340
sales@galvinengineering.com.au
www.galvinengineering.com.au
 ABN: 78 008 719 382

A business unit of

GalvinEngineering
the mark of reliability



PERTH | SYDNEY | MELBOURNE | BRISBANE | ADELAIDE | UNITED STATES OF AMERICA | UNITED KINGDOM | NEW ZEALAND