

# Stainless Steel Wall Mounted Eye Wash Push Hand Operated with Round Bowl

Specification Data Sheet



## To Specify

Speakman traditional series round bowl eyewash stations provide the highest level of performance. All traditional series eyewash stations feature dual aerated spray heads with automatic flow controls and flip top dust covers. The aerated water flow, a Speakman signature feature allows soft flowing water to provide a wider coverage, cleaning full facial areas. Additionally traditional eyewash stations are equipped with a stay open ball valve activated by a paddle handle allowing hands free operation once

the eyewash has been activated. The SE-582 is a wall mounted unit with a stainless steel bowl. The SE-582 meets ANSI Z385.1 compliance.

### Code:

**WS-SE582** - Stainless Steel Wall Mounted Eye Wash Push Hand Operated With Round Bowl



A family  
owned  
Australian  
business



## Technical Specifications

- (2) aerated yellow plastic spray outlets
- 300 series stainless steel bowl
- ½ in. NPT female brass, chrome-plated valve
- Stainless steel push handle activator
- ½ in. NPT female inlet
- 3.18 gpm @ 30 psi
- Universal emergency sign included

## Maintenance & Cleaning

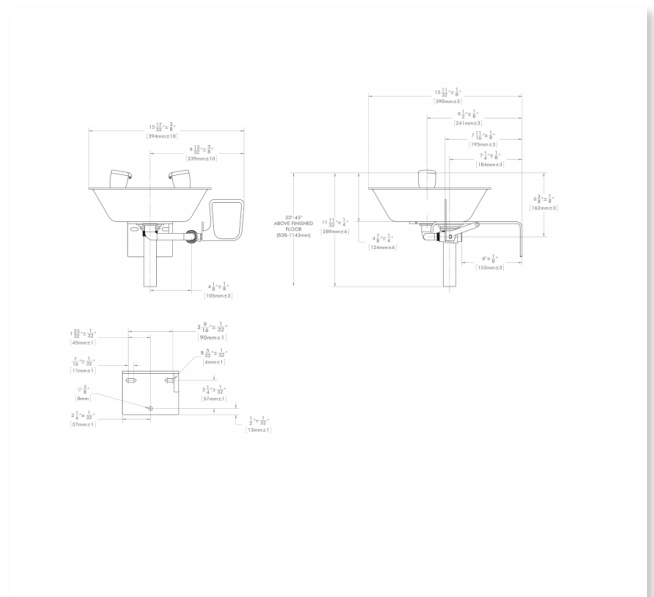
Galvin Specialised products should be cleaned with a soft damp cloth using only mild liquid detergent or soap and water. Do not use cleaning agents containing a corrosive acid, scouring agent or solvents. Do not use cream cleaners, as they are abrasive. Use of unsuitable cleaning agents may damage the surface. Any damage caused in this way will not be covered by warranty.

Regular maintenance should be carried out in accordance with the installation and troubleshooting guides provided with the product, relevant Australian Standards, local authorities and state codes.

## Warranty

Galvin Specialised products are covered under our Manufacturer's Warranty at [www.galvinengineering.com.au](http://www.galvinengineering.com.au). Galvin Specialised products must be installed in accordance with the installation instructions and in accordance with AS3500 and the PCA, relevant Australian Standards and local authorities applicable to product being installed. Water and electrical supply conditions must also comply to the applicable national and/or state standards, failing to comply with these provisions may void the product warranty and affect performance of the product.

## Typical Dimensions



Whilst all reasonable care has been taken in compiling the information in this document, the designs, dimensions and products shown are indicative only and should not be relied upon without our prior approval. Due to our policy of continuous development, we reserve the right to alter any details of specifications or products without notice. All information, drawings, technical specifications and product designs remains the property of Galvin Engineering Pty Ltd.

410 Victoria Rd, Malaga, WA 6090

Within Australia: **1300 514 074** Outside Australia: P: +61 (0)8 9249 5900

F: +61 (0)8 9249 5916

[sales@galvinengineering.com.au](mailto:sales@galvinengineering.com.au)

[www.galvinengineering.com.au](http://www.galvinengineering.com.au)

ABN: 78 008 719 382

PERTH | SYDNEY | MELBOURNE | BRISBANE | ADELAIDE

A business unit of

**GalvinEngineering**  
the mark of reliability

