

Free Standing, Combination Deluge Showers with Aerated Eye Wash Hand and Foot Operated

Specification Data Sheet



To Specify

Galvin Specialised range of Safety Deluge Showers and Eye Washes provide the highest performance when you need it most. The impeller action deluge shower head delivers a large volume of flushing liquid in a precise pattern to remove contaminants from the body. The Aerated Eye Wash unit allows aerated water to gently and effectively wash away chemical and solid contaminants away from the eye and surrounding areas.

Code:

WS-SE612

Free Standing, Combination Deluge Showers with Aerated Eye Wash Hand and Foot Operated.



A family
owned
Australian
business



galvinspecialised
commercial taps + fixtures

Technical Specifications

Dimension (mm): 2450H x 470W x 883D

Rec Min Connection: 25mm

Rec Min Supply: 120 LPM

Minimum Pressure: 210 kPa

Construction: 304 Stainless Steel

SHOWER

Shower Flow Rate: 90 LPM

Shower Head: 200mm ABS Cylolac

Valve: 25mm Full Port Stainless Steel

Activator: 304 Stainless Steel Pull Rod

Inlet: 320mm BSPM

EYE WASH

Eye Wash: Aerated,

Eye Wash Flow Rate: 20 LPM

Valve: 12mm Port Chrome Plated Brass

Activator: Stainless Steel Activation Bar

Stanchion: 304 Stainless Steel Tube

Bowl: 304 Stainless Steel

Foot Pedal: 304 Stainless Steel Tube

Base Plate: 304 Stainless Steel

Operation: Hand or Foot Operated

Performance Standards & Approvals

- Australian Standard: AS4775

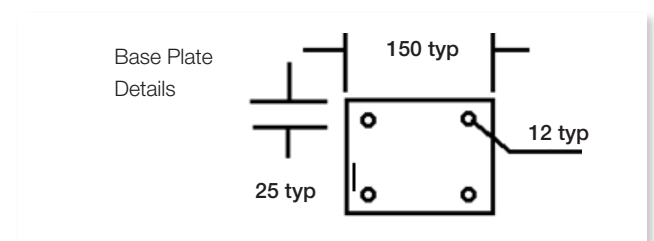
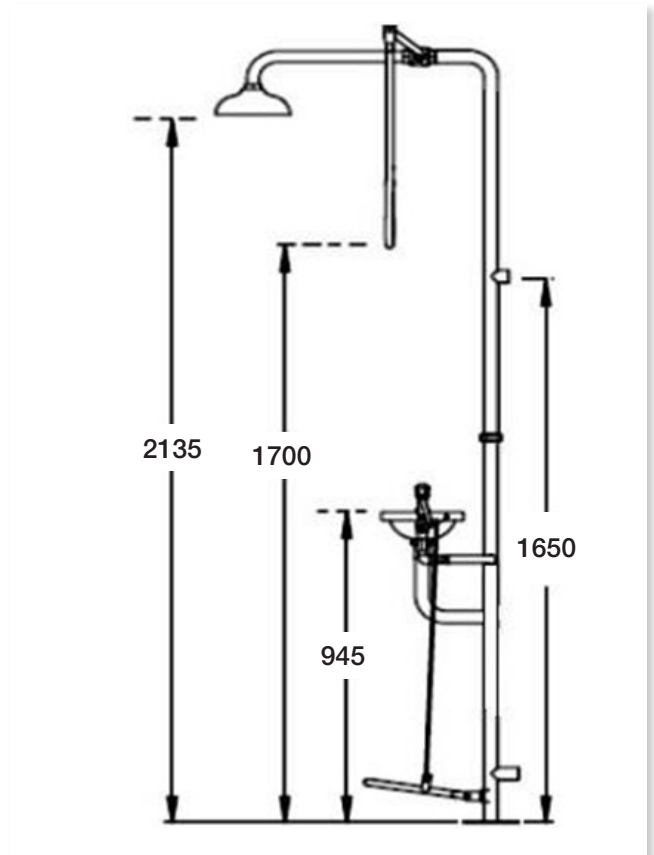
Installation

After unpacking carton, make sure all components are present. Mark out floor and mount bottom Stanchion section using suitable anchors. Then assemble top section (use pipe sealant on this joint). Once the unit is fully assembled connect water supply to 25mm top inlet nipple. Failure to use potable water can result in emergency units producing impure or contaminated water causing possible further injury. Test unit.

NOTE: This unit should be connected to an uninterrupted source of potable water, no less than 25mm with a minimum flowing pressure of 138 KPa and a maximum static pressure of 860 KPa.

Whilst all reasonable care has been taken in compiling the information in this document, the designs, dimensions and products shown are indicative only and should not be relied upon without our prior approval. Due to our policy of continuous development, we reserve the right to alter any details of specifications or products without notice. All information, drawings, technical specifications and product designs remains the property of Galvin Engineering Pty Ltd.

Typical Dimensions



Accessories

WS-SETAG - Weekly Test Tag For Emergency Shower and/or Eye Wash - 52 Week, Waterproof (Pk 10)

WS-SGN02 - Safety Sign for Emergency Shower - 300 x 225

WS-SGN04 - Safety Sign for Emergency Shower and Eye Wash - 450 x 200

WS-SGN06 - Safety Sign for Emergency Shower and Eye Wash - 300 x 225

410 Victoria Rd, Malaga, WA 6090

Within Australia: **1300 514 074** Outside Australia: P: +61 (0)8 9249 5900

F: +61 (0)8 9249 5916

sales@galvinengineering.com.au

www.galvinengineering.com.au

ABN: 78 008 719 382

PERTH | SYDNEY | MELBOURNE | BRISBANE | ADELAIDE

A business unit of

GalvinEngineering
the mark of reliability