

# Free Standing, Combination Deluge Showers with Hand Operated Aerated Eye Wash

Specification Data Sheet



## To Specify

Galvin Specialised range of Safety Deluge Showers and Eye Washes provide the highest performance when you need it most. The impeller action deluge shower head delivers a large volume of flushing liquid in a precise pattern to remove contaminants from the body. The Aerated Eye Wash unit allows aerated water to gently and effectively wash away chemical and solid contaminants away from the eye and surrounding areas.

Code:

**WS-SE693**

Free Standing, Combination Deluge Showers with Hand Operated Aerated Eye Wash.



A family  
owned  
Australian  
business



**galvin**specialised  
commercial taps + fixtures

## Technical Specifications

### EYE WASH

**Eye Wash:** Aerated, Stainless Steel

**Valve:** 12mm Stainless Steel

**Activator:** 304 Stainless Steel Paddle

**Stanchion:** 304 Stainless Steel Tube

### SHOWER

**Shower Head:** 200mm ABS Cyclocac

**Valve:** 25mm Stainless Steel

**Activator:** 304 Stainless Steel Tube

## Installation

After unpacking carton, ensure all components are present. Mark out the floor and mount the bottom stanchion section using suitable anchors (10-12mm x 50 Dynabolt). Then assemble top section (use pipe sealant on all joints). Assemble pull rod and shower head, attach paddle handle. Once the unit is completely assembled connect water supply to 25mm BSPM top inlet nipple. Flush pipe line prior to operating Eye wash to clear supply line of any impurities and debris. Failure to use potable water can result in emergency units producing impure or contaminated water causing possible further injury. Test unit.

**NOTE:** This unit should be connected to an uninterrupted source of potable water, no less than 25mm (1"), with a minimum flowing pressure of 130kPa and a maximum static pressure of 860 kPa - 304 Stainless Steel Tube

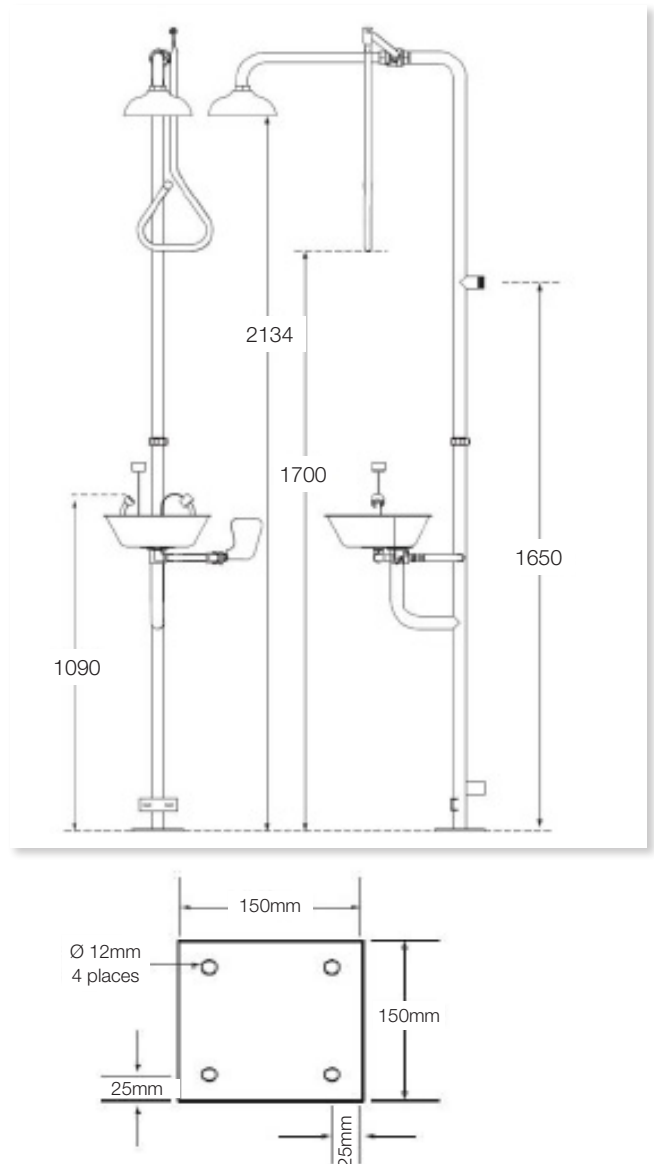
## Operation

The shower is activated by pulling the triangle pull rod. Once the valve is activated the head will continue to discharge water until the valve is manually closed, this is done by pushing the pull rod to the off position.

## Performance Standards & Approvals

- Australian Standard AS4775

## Typical Dimensions



## Accessories

**WS-SETAG** - Weekly Test Tag For Emergency Shower and/or Eye Wash - 52 Week, Waterproof (Pk 10)

**WS-SGN02** - Safety Sign for Emergency Shower - 300 x 225

**WS-SGN04** - Safety Sign for Emergency Shower and Eye Wash - 450 x 200

**WS-SGN06** - Safety Sign for Emergency Shower and Eye Wash - 300 x 225

Whilst all reasonable care has been taken in compiling the information in this document, the designs, dimensions and products shown are indicative only and should not be relied upon without our prior approval. Due to our policy of continuous development, we reserve the right to alter any details of specifications or products without notice. All information, drawings, technical specifications and product designs remains the property of Galvin Engineering Pty Ltd.

410 Victoria Rd, Malaga, WA 6090

Within Australia: **1300 514 074** Outside Australia: P: +61 (0)8 9249 5900

F: +61 (0)8 9249 5916

sales@galvinengineering.com.au

www.galvinengineering.com.au

ABN: 78 008 719 382

PERTH | SYDNEY | MELBOURNE | BRISBANE | ADELAIDE

A business unit of

**GalvinEngineering**  
the mark of reliability

