

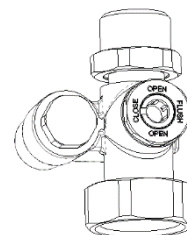
## BS Lead Safe Isolating Valve For CMV2

### PRODUCT CODES

- 100.91.40.21
- 100.91.40.22



**WaterMark**  
AS 4032.4 Lic. WMKA21989  
SAI Global



### SPECIFICATIONS

- Designed to be used with CliniMix® CMV2 only.
- Convenient 3-way valve with closing and flushing function.
- Lead Safe™ brass construction.\*

**IMPORTANT:** All CliniMix® isolating valves for CMV2 are tested and leave our premises in good working order.

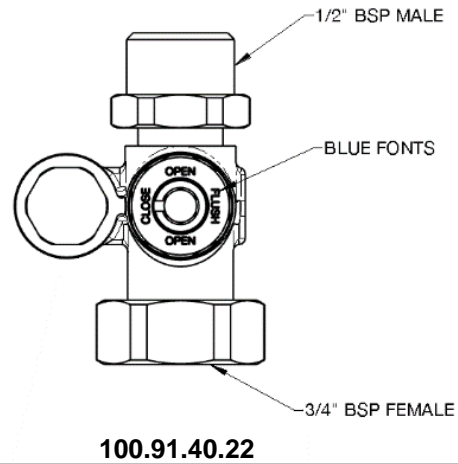
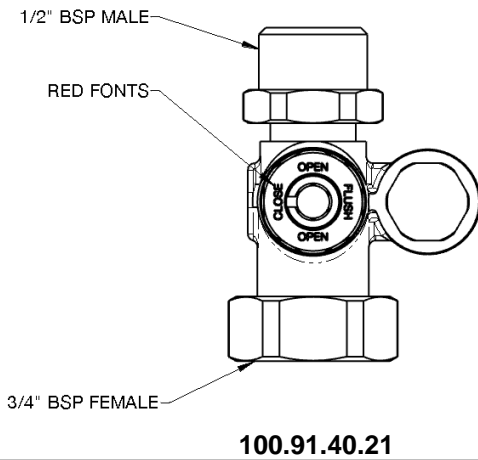
\*As 'lead free' is not currently defined by law in Australia and New Zealand, we have based our definition of Lead Safe™ on the requirements of s1417 of the USA's Safe Drinking Water Act (SDWA) and the relevant US standards NSF61 / NSF372. The SDWA defines 'lead free' as "not more than a weighted average of 0.25% lead when used with respect to the wetted surface of pipes, pipe fittings, plumbing fittings and fixtures".

### TECHNICAL DATA

Inlet	1/2" BSP Male	
Outlet	3/4" BSP Female	
Headwork	Ball Valve	
Working Pressure Range (kPa)	Min	20
	Max	500
Working Temperature Range (°C)	Min	5
	Max	85
Nominal Flow Rate (LPM)	N/A	
Construction	Brass	
Finish	Brass	

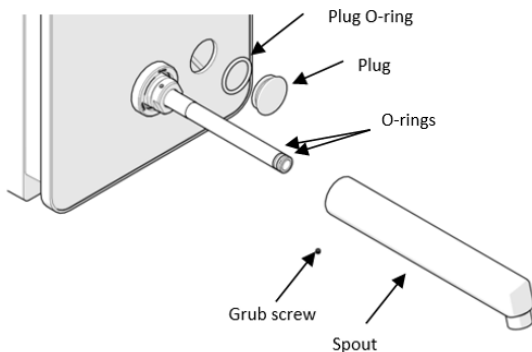
**NOTE:** Galvin Engineering continually strive to improve their products. Specifications may change without notice.

**DIMENSIONS**

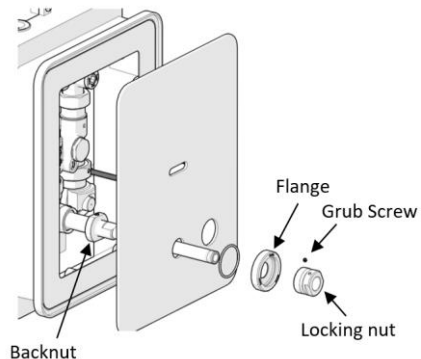


**INSTALLATION**

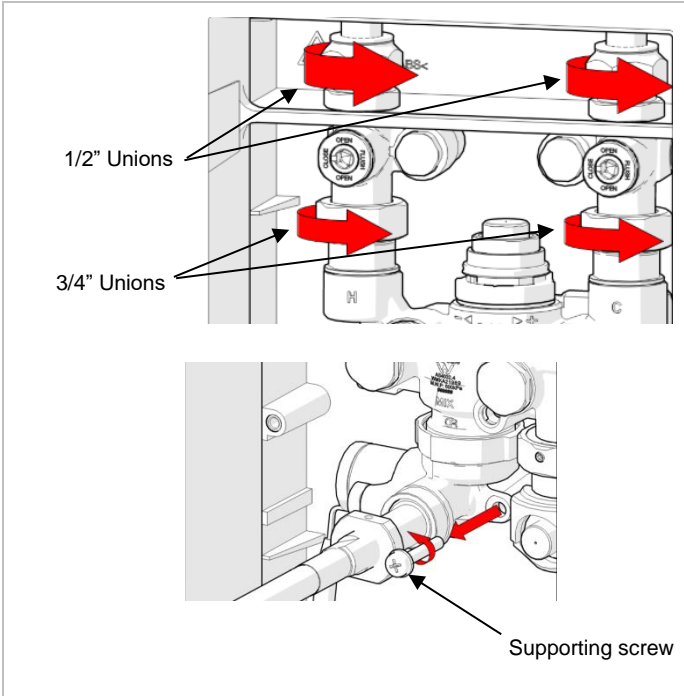
**INSTALLATION COMPLIANCE:** Galvin Engineering products must be installed in accordance with these installation instructions and in accordance with AS/NZS 3500, the PCA and your local regulatory requirements. Water and/or electrical supply conditions must also comply to the applicable national and/or state standards. Failing to comply with these provisions shall void the product warranty and may affect the performance of the product.



- 1. Close the mains and deinstall Spout**
  - Close off both (hot and cold) water mains. Ensure water is not flowing when hand waving in front of the sensor.
  - Loosen grub screw to unlock the spout. Pool and gently remove the spout.
  - Removing the disinfection key cover plug might help with detaching the faceplate in next steps.

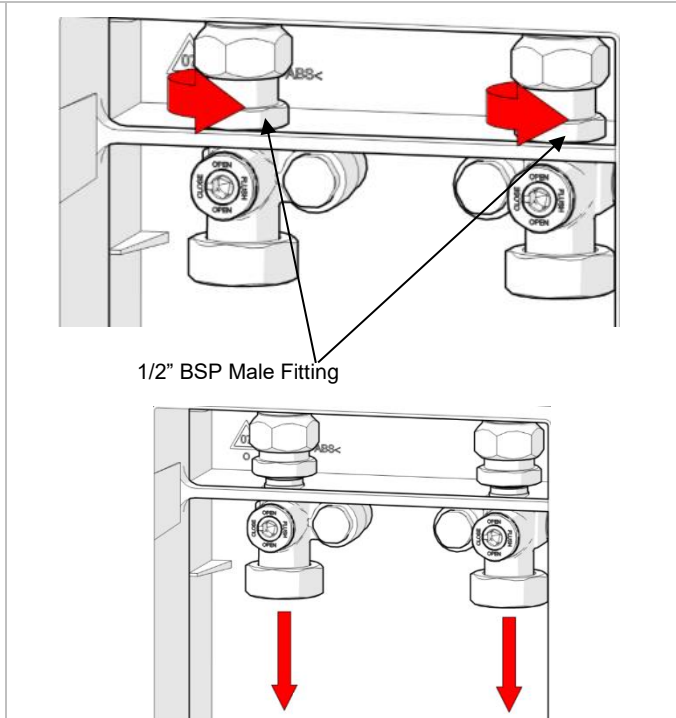


- 2. Removing the faceplate**
  - Loosen the grub screw shown on above picture.
  - Unscrew the locking nut and remove. Remove the flange.
  - Carefully remove the faceplate.
  - Do not change the position of the backnut if not necessary.
  - Disconnect sensors' and solenoids' cables connections.



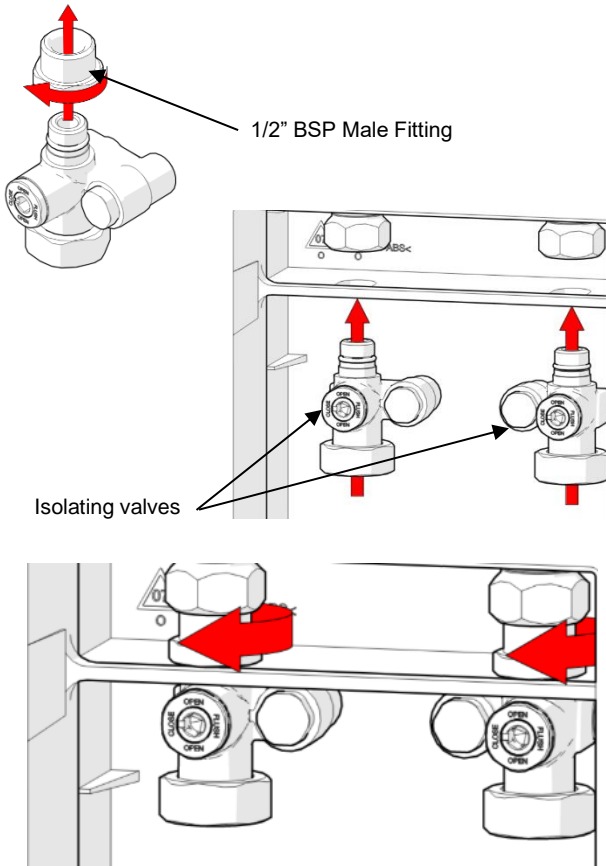
**3. Removing CMV2 body**

- Completely loosen the 1/2" and 3/4" unions.
- Unscrew the supporting screw and gently remove the CMV2 body.



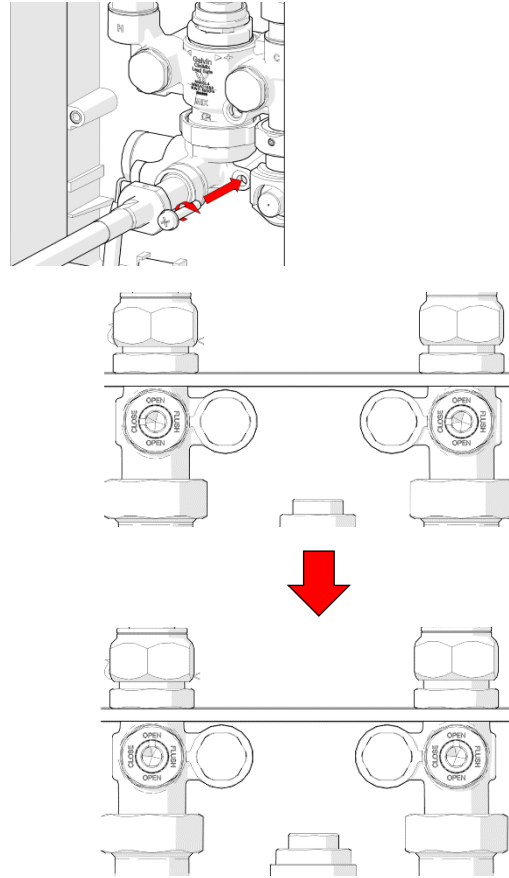
**4. Removing Isolating valve**

- Unscrew the 1/2" BSP male fitting, shown on above picture.
- Pull the isolating valve in the direction where the CMV2 body was installed.



**5. Installing new Isolating valve**

- Unscrew the 1/2" BSP male fitting from the new isolating valve.
- Push the isolating valve in the opposite direction where the CMV2 body is intended to be installed.
- Screw back the 1/2" BSP male fitting.

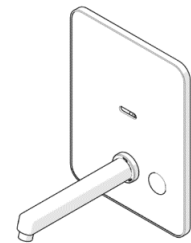


**6. Assembly and testing**

- Reassemble the CMV2 body by reversing step 3.
- Open both (hot and cold) water mains and check for leaks.
- Turn the isolating valves to open position and check for leaks.
- Close the (hot and cold) water mains again.
- Reassemble the unit by reversing steps 1 to 2.

**7. Operation test**

Test the fully reassembled unit for correct operation.



**TROUBLESHOOTING**

<b>PROBLEM</b>	<b>CAUSE</b>	<b>RECTIFICATION</b>
Water is not flowing	Hot or cold water failure	Restore inlet supplies
	No power	Check if power is on
	Sensors' connectors not connected	Re-connect sensor

## WARRANTY

The warranty set forth herein is given expressly and is the only warranty given by the Galvin Engineering Pty Ltd. With respect to the product, Galvin Engineering Pty Ltd makes no other warranties, express or implied. Galvin Engineering Pty. Ltd. hereby specifically disclaims all other warranties, express or implied, including but not limited to the implied warranties of merchantability and fitness for a particular purpose.

Galvin Engineering Pty Ltd products are covered under our manufacturer's warranty available for download from [www.galvinengineering.com.au](http://www.galvinengineering.com.au) Galvin Engineering Pty Ltd expressly warrants that the product is free from operational defects in workmanship and materials for the warranty period as shown on the schedule in the manufacturer's warranty. During the warranty period, Galvin Engineering will replace or repair any defective products manufactured by Galvin Engineering without charge, so long as the terms of the Manufacturer's warranty are complied with.

The remedy described in the first paragraph of this warranty shall constitute the sole and exclusive remedy for breach of warranty, and Galvin Engineering Pty Ltd shall not be responsible for any incidental, special or consequential damages, including without limitation, lost profits or the cost of repairing or replacing other property which is damaged if this product does not work properly, other costs resulting from labour charges, delays, vandalism, negligence, fouling caused by foreign material, damage from adverse water conditions, chemical, electrical or any other circumstances over which Galvin Engineering has no control. This warranty shall be invalidated by any abuse, misuse, misapplication, improper installation or improper maintenance or alteration of the product.

Within Australia: 1300 514 074 Outside Australia: P: +61 (0)8 9338 2344

F: +61 (0)8 9338 2340

[sales@galvinengineering.com.au](mailto:sales@galvinengineering.com.au)

[www.galvinengineering.com.au](http://www.galvinengineering.com.au)

ABN: 78 008 719 382

PERTH | SYDNEY | MELBOURNE | BRISBANE | ADELAIDE

