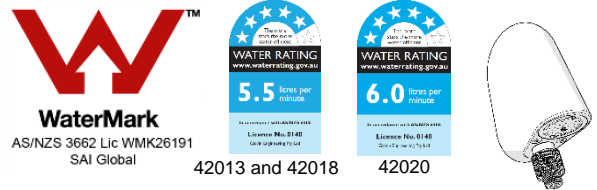


GalvinCare® Safe-Connect Shower Head



PRODUCT CODES:

- **42013** - Shower Head only
- **42018** - Shower Head with Connector
- **42020** - Shower Head with Detachable Hand Shower

SPECIFICATIONS

- The GalvinCare® Safe-Connect Shower provides anti-vandalism and anti-ligature features.
- Constructed from light duty components and comes complete with special tamper resistant screws.
- Special consideration may be required when used with low water pressure systems and components.
- The 42018 unit is supplied with a connector. Item 42020 is supplied with a detachable hand shower.
- Chrome plate finish.
- Australian Patent No. AU 2017100421. International Patents Pending.
- Ready for installation with faceplate (item code 121.93.00.10). The faceplate provides reinforcement to the shower and wall attachment. For more information, please visit www.galvinengineering.com.au.

IMPORTANT: All GalvinCare® Safe-Connect Showers are tested in accordance with AS/NZS 3662 and leave our premises in good working order.

WARNINGS: Special attentions to be paid on notes, photos, images, or drawings of assembly steps marked with the warning symbol.





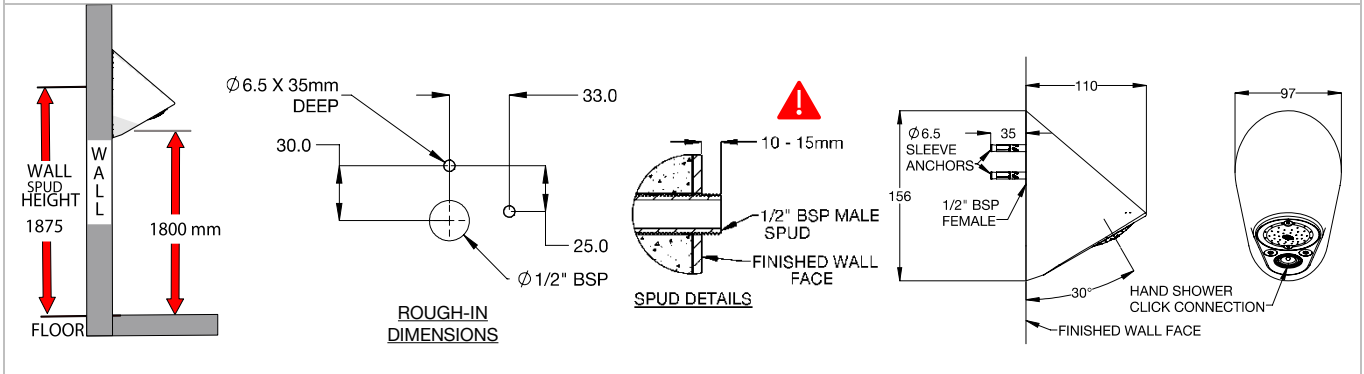
TECHNICAL DATA

Inlet	1/2" BSP - Female	
Outlet	Shower Rose	
	Safe-Connect Shower	
Headwork	N/A	
Working Pressure Range (kPa)	Min	150
	Max	500
Working Temperature Range (°C)	Min	5
	Max	70
Nominal Flow Rate (LPM)	42013 and 42018	5.3
	42020	5.8
Construction	Brass	
Finish	Chrome	

NOTE: Galvin Engineering continually strive to improve their products. Specifications may change without notice.

PRE-INSTALLATION (MOUNTING DETAILS)

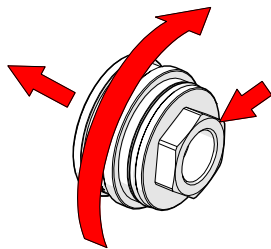
- If the mounting holes do not already exist, mark out and drill the holes as shown in rough-in dimensions. Note: Drill size shown is to suit supplied wall anchors. One mounting hole is acceptable.
- Ensure 1/2" BSP male spud protrudes between 10 - 15mm from the finished wall face. 
- Recommended installation height is 1800mm (1.8m) from floor level to hand shower connection.
- Before installation all lines must be flushed. 



INSTALLATION

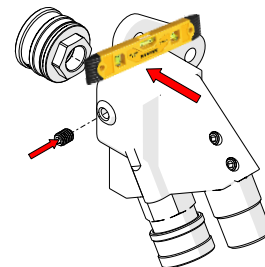
INSTALLATION COMPLIANCE: Galvin Engineering products must be installed in accordance with these installation instructions and in accordance with AS/NZS 3500, the PCA and your local regulatory requirements. Water and/or electrical supply conditions must also comply to the applicable national and/or state standards. Failing to comply with these provisions shall void the product warranty and may affect the performance of the product.

IMPORTANT: Whilst our product designs take into account a broad range of installation types and surfaces, it is important that surfaces which fixtures are mounted to are flat and free from defect. Additionally, ensure any protruding connecting thread is square to the wall so that the outlet sits flat against the wall when installed, ensuring that there are no gaps between the wall and outlet. This is especially important when installing product ranges that have been designed for correctional and health facilities, where special attention is required to minimise ligature points and areas for concealment of contraband. In addition to ensuring the products are fitted securely and in accordance with the following instructions, consideration shall be given to the use of non-pick mastics such as BASF Sonolastic "Ultra" to ensure a high quality and safe installation.



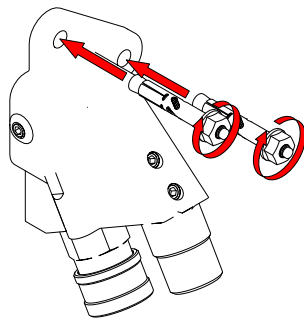
1. Fit retaining nut

- Screw the retaining nut onto the spud until the rear face is touching the wall. Ensure to use thread sealant/tape.



2. Fit shower body

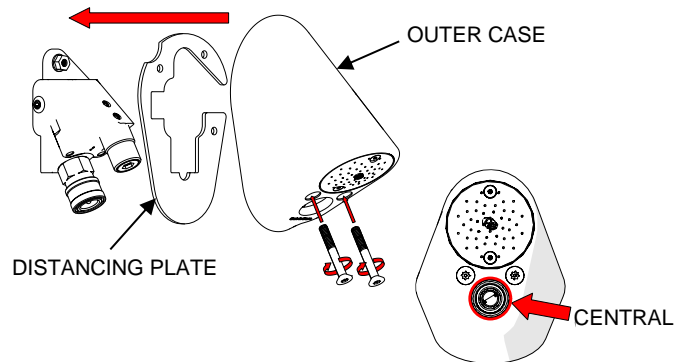
- Fit shower body onto retaining nut until it touches the wall.
- Ensure body is level and tighten grub screw to lock. Take care not to overtighten.



3. Secure shower body

- Secure body with the two supplied M6.5 wall anchors as shown.

! It is acceptable to use only one mounting hole for securing the body if space is limited.



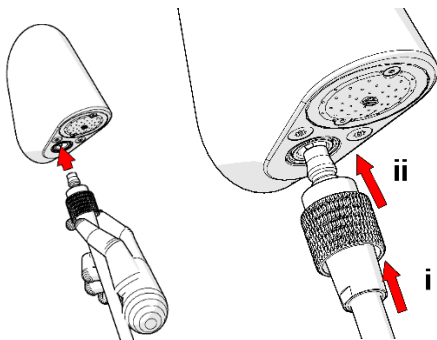
4. Fit shower outer case and check operation

- Fit distancing plate. Optionally, it can be attached to the wall. Screws are not supplied.
- Fit the shower outer case onto body as shown.
- Fit the two screws as shown and tighten evenly to ensure fitting location is central – do not over tighten.

! Take care to not shear o-ring on outer case while fitting.

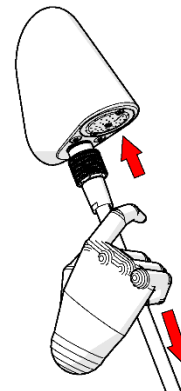
- Turn on water to check correct function of wall shower, then turn off water.

Note: This wall shower is fitted with a flow restrictor. Never operate without a flow restrictor, as outlet will deliver full mains pressure with unrestricted flow.



6. Connect hand shower (Items 42018 & 42020)

- Push the hose connection into the wall fitting.
 - With one hand, maintain pressure to the hose.
 - With the other hand, push the outer ring forward as shown.
- The hose should now move further forward into the wall fitting.
- While still applying pressure to the hose release the outer ring.



7. Check hand shower operation (Items 42018 & 42020)

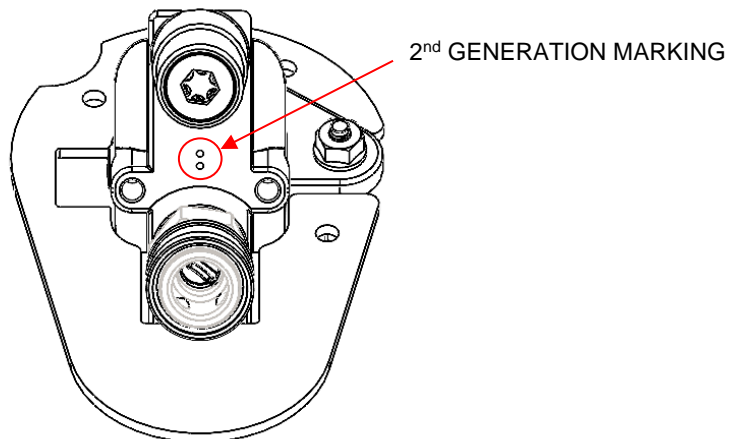
- Check the hose is securely connected.
- Turn on water supply, the hand shower should now be working, and the wall shower should not be running.
- Turn off water.
- To remove hose, push the outer ring forward and pull the hose downwards.

TROUBLESHOOTING		
PROBLEM	CAUSE	RECTIFICATION
Wall shower is dripping water. Note: For the 2 nd generation there is replacement cartridge available to order (item code 121.94.06.09). For more information, please visit www.galvinengineering.com.au	Headworks are worn or damaged	Remove and inspect the headworks, remove debris and/or replace o-rings or parts if damaged.
	Diverter assembly is worn or damaged	Remove and inspect the diverter assembly, remove debris and/or replace o-rings or parts if damaged.
Wall shower has inconsistent flow	Blocked flow restrictor	Remove flow regulator from body and remove debris. Install an inline strainer to stop further blockages.
Leak from behind body	Insufficient sealant	Apply more thread tape or sealant to create a better seal

2nd GENERATION TROUBLESHOOTING

- If the shower body is marked with two dots, it means this item is an 2nd edition of the body design and allows for easy diverter reparation by cartridge replacement item code 121.94.06.09. See installation instruction for the item 121.94.06.09 for cartridge troubleshooting and replacement details.

Note: the 2nd edition – production date not earlier than March 2023.



WARRANTY

The warranty set forth herein is given expressly and is the only warranty given by the Galvin Engineering Pty Ltd. With respect to the product, Galvin Engineering Pty Ltd makes no other warranties, express or implied. Galvin Engineering Pty. Ltd. hereby specifically disclaims all other warranties, express or implied, including but not limited to the implied warranties of merchantability and fitness for a particular purpose.

Galvin Engineering Pty Ltd products are covered under our manufacturer's warranty available for download from www.galvinengineering.com.au Galvin Engineering Pty Ltd expressly warrants that the product is free from operational defects in workmanship and materials for the warranty period as shown on the schedule in the manufacturer's warranty. During the warranty period, Galvin Engineering will replace or repair any defective products manufactured by Galvin Engineering without charge, so long as the terms of the Manufacturer's warranty are complied with.

The remedy described in the first paragraph of this warranty shall constitute the sole and exclusive remedy for breach of warranty, and Galvin Engineering Pty Ltd shall not be responsible for any incidental, special or consequential damages, including without limitation, lost profits or the cost of repairing or replacing other property which is damaged if this product does not work properly, other costs resulting from labour charges, delays, vandalism, negligence, fouling caused by foreign material, damage from adverse water conditions, chemical, electrical or any other circumstances over which Galvin Engineering has no control. This warranty shall be invalidated by any abuse, misuse, misapplication, improper installation or improper maintenance or alteration of the product.

In the absence of a legal or industry definition of anti-ligature or ligature resistant products, when we use these terms, we are referring to products that are designed and manufactured with the intention of reducing the risk of ligature attachment to the product(s).

Galvin Engineering Pty Ltd will always endeavour to design and test our anti-ligature product(s) to reduce the risk of product ligature attachment that may result in serious injury or death.

Whilst all reasonable measures are taken at the time of design, the anti-ligature design of the products are not intended to and will not:

- a. Replace protective measures that need to be taken in the specific circumstances of usage;*
- b. Substitute the need for supervision of those who may be at risk;*
- c. Protect and or prevent those at risk against any self-harm instances that may occur when installed; and*
- d. Protect and or prevent injury when the risks where unknown to us at the time of the design of the product(s).*

Galvin Engineering Pty Ltd does not offer and does not represent or warrant that any product(s) for sale that are ligature-free.

Therefore, Galvin Engineering will not be liable for any claims, loss, or damages arising from ligature attachment on our products. It is the purchaser's responsibility to ensure that products purchased and installed are suitable for the environments in which they are installed, and suitable supervision and protective measures are in place to protect those at risk.

Within Australia: 1300 514 074 Outside Australia: P: +61 (0)8 9338 2344

F: +61 (0)8 9338 2340

sales@galvinengineering.com.au

www.galvinengineering.com.au

ABN: 78 008 719 382

PERTH | SYDNEY | MELBOURNE | BRISBANE | ADELAIDE

