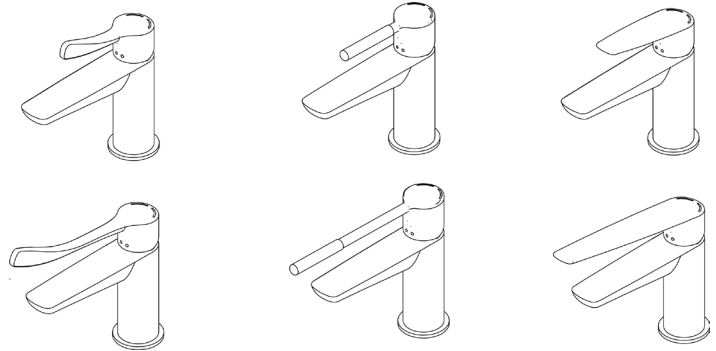


GalvinAssist® Lead Safe™ Basin Mixer



For WaterMark information, refer to 113.12.00.XX.



CHROME FINISH

113.42.61.03 - Long Flared Handle H&C - Black
113.42.63.03 - Long Flared Handle H&C - Aqua Blue
113.42.64.03 - Long Flared Handle H&C - Apple Green
113.42.65.03 - Long Flared Handle H&C - Ruby Red
113.42.66.03 - Long Flared Handle H&C - Coral
113.42.67.03 - Long Flared Handle H&C - Steel Blue

113.42.41.03 - Long Pin Handle H&C - Black
113.42.43.03 - Long Pin Handle H&C - Aqua Blue
113.42.44.03 - Long Pin Handle H&C - Apple Green
113.42.45.03 - Long Pin Handle H&C - Ruby Red
113.42.46.03 - Long Pin Handle H&C - Coral
113.42.47.03 - Long Pin Handle H&C - Steel Blue

113.42.20.03 - Long Paddle Handle H&C
113.42.20.04 - Long Paddle Handle W&C

113.42.51.03 - Short Flared Handle H&C - Black
113.42.53.03 - Short Flared Handle H&C - Aqua Blue
113.42.54.03 - Short Flared Handle H&C - Apple Green
113.42.55.03 - Short Flared Handle H&C - Ruby Red
113.42.56.03 - Short Flared Handle H&C - Coral
113.42.57.03 - Short Flared Handle H&C - Steel Blue

113.42.31.03 - Short Pin Handle H&C - Black
113.42.33.03 - Short Pin Handle H&C - Aqua Blue
113.42.34.03 - Short Pin Handle H&C - Apple Green
113.42.35.03 - Short Pin Handle H&C - Ruby Red
113.42.36.03 - Short Pin Handle H&C - Coral
113.42.37.03 - Short Pin Handle H&C - Steel Blue

113.42.10.03 - Short Paddle Handle H&C
113.42.10.04 - Short Paddle Handle W&C

BRUSHED CARBON FINISH

113.52.62.03 - Long Flared Handle H&C – White

113.52.42.03 - Long Pin Handle H&C - White

113.52.20.03 - Long Paddle Handle H&C

113.52.52.03 - Short Flared Handle H&C – White

113.52.32.03 - Short Pin Handle H&C - White

113.52.10.03 - Short Paddle Handle H&C

SPECIFICATIONS

- Chrome plate and brushed carbon finish for easy cleaning and durability.
- Simple servicing and readily available parts.
- Quality controlled. Every tap is tested.
- Lead Safe™ brass construction*.

IMPORTANT:

*Our Lead Safe™ product range is compliant with the Lead Free Requirements of the NCC 2022 Vol. Three, Clause A5G4(2) and NSF/ASNI 372.
** Any flow controller incorporated in the outlet to be tightened to prevent removal by hand. As Per AS3718

WARNINGS: Special attentions to be paid on notes, photos, images, or drawings of assembly steps marked with the warning symbol.



TECHNICAL DATA

Inlet		½" BSP – Female (Flexi-hoses)
Outlet		Aerated
Headworks		Ceramic Disc
Working Pressure Range (kPa)	Min	150
	Max	500
Working Temperature Range (°C)	Min	5
	Max	60
Nominal Flow Rate (LPM)		4.07
Construction		Lead Free Brass
Finish		Chrome / Brushed Carbon

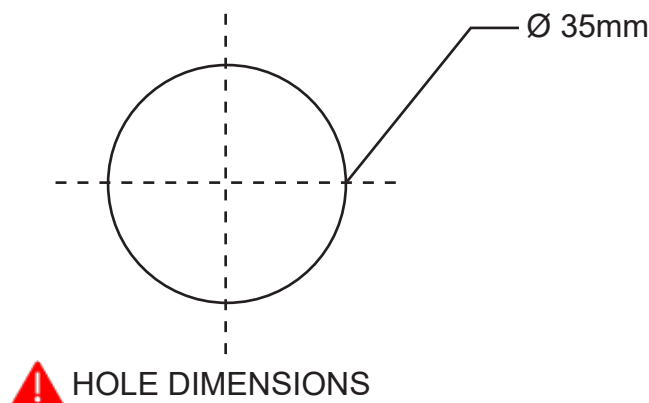
NOTE: Galvin Engineering continually strive to improve their products. Specifications may change without notice

TOOLS REQUIRED

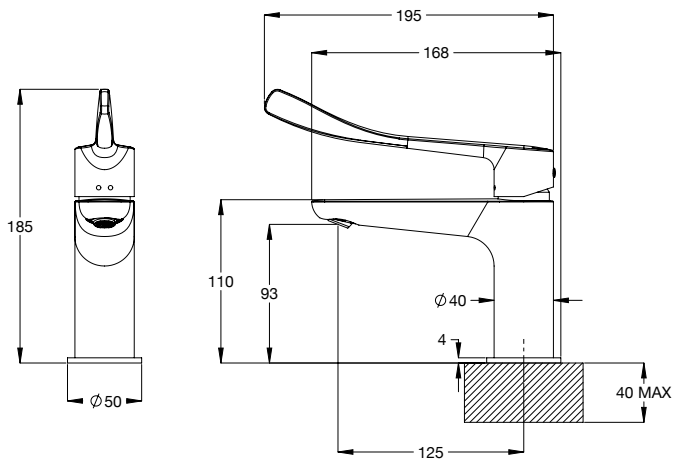
- Power Drill
- AF11 Spanner (Supplied)

PRE-INSTALLATION

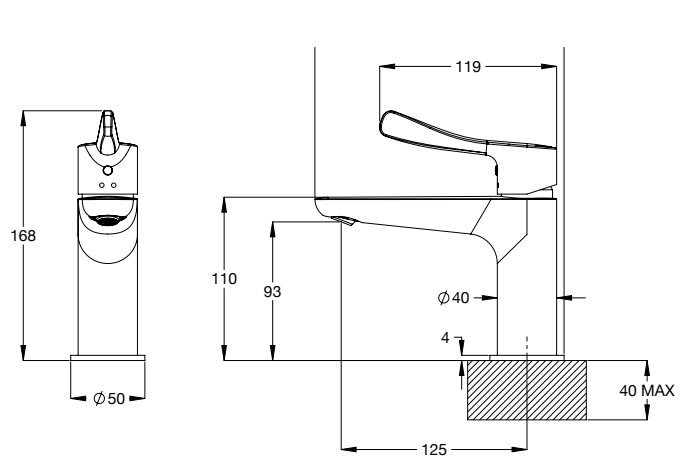
- Before installation, all lines must be flushed.
- Galvin Engineering recommends the installation of strainers and pressure reducing valves (when necessary) to ensure clean consistent supply. Debris or poor water quality could affect the performance of the unit.
- If the mounting hole does not already exist, mark out and drill the holes on the bench, as shown in rough-in dimensions.



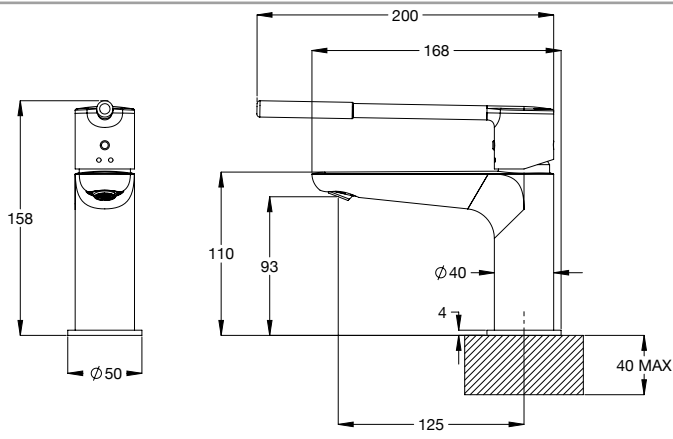
DIMENSIONS



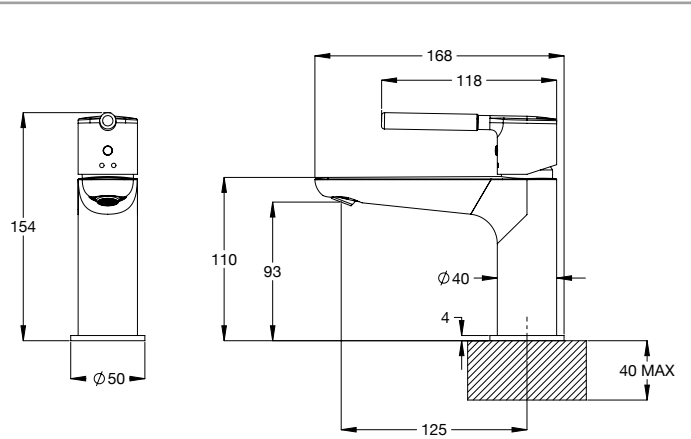
113.42.6X.XX & 113.52.6X.XX
Long Flared Handle



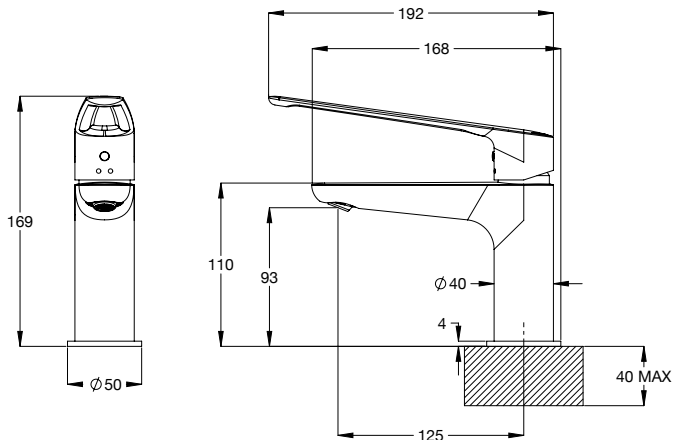
113.42.5X.XX & 113.52.5X.XX
Short Flared Handle



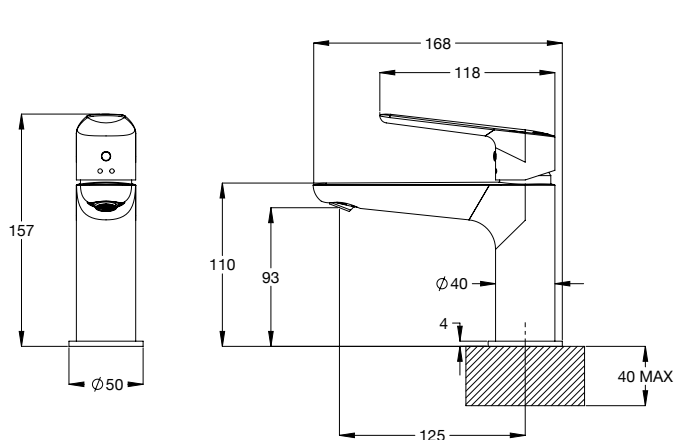
113.42.4X.XX & 113.52.4X.XX
Long Pin Handle



113.42.3X.XX & 113.52.3X.XX
Short Pin Handle



113.42.2X.XX & 113.52.2X.XX
Long Paddle Handle

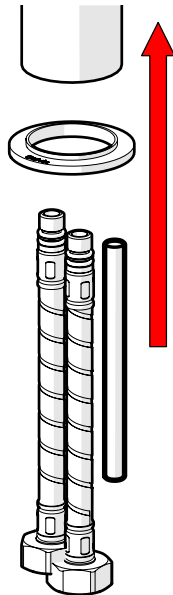
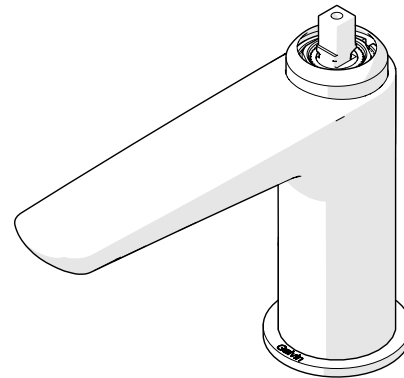
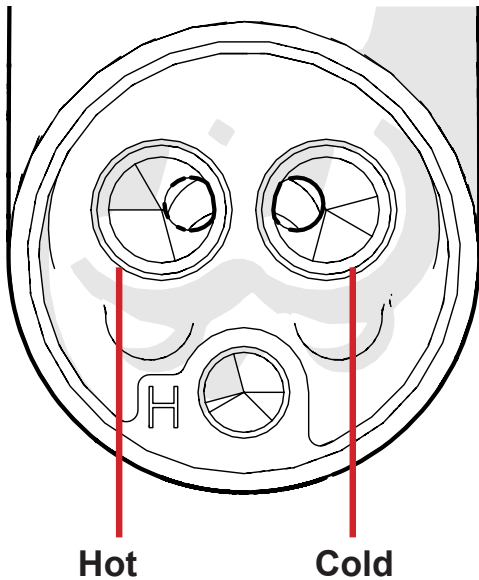


113.42.1X.XX & 113.52.1X.XX
Short Paddle Handle

INSTALLATION

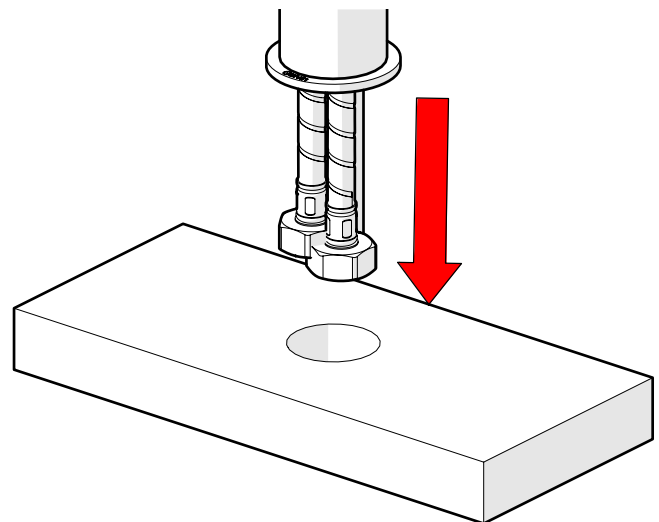
INSTALLATION COMPLIANCE: Galvin Engineering products must be installed in accordance with these installation instructions and in accordance with AS/NZS 3500, the PCA and your local regulatory requirements. Water and/or electrical supply conditions must also comply to the applicable national and/or state standards. Failing to comply with these provisions shall void the product warranty and may affect the performance of the product.

Basin Mixer



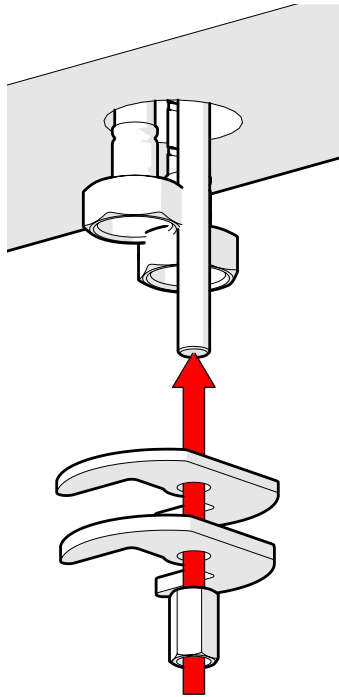
1. Fit Mounting Hardware and Hoses

- Screw in and tighten flexi-hoses. Insert the flexi-hoses as shown. (See above for correct connections)
- Fully screw threaded rod as shown.
- Ensure dress plate is installed before Hoses.



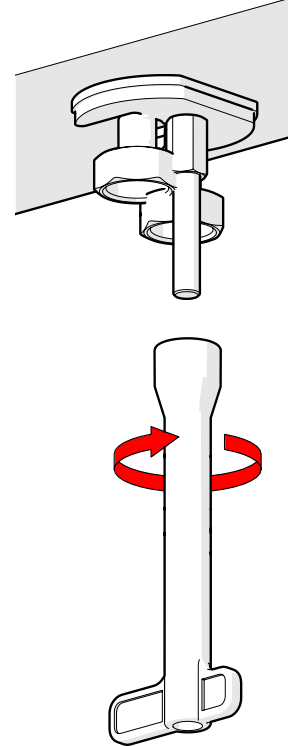
2. Fit Tap

- Ensure the sink mounting hole for the tap is as per the rough-in dimensions.
- Ensure the Bottom ring is present underneath the tap.
- Carefully fit the flexible hoses and threaded rod **through the sink hole as shown.**



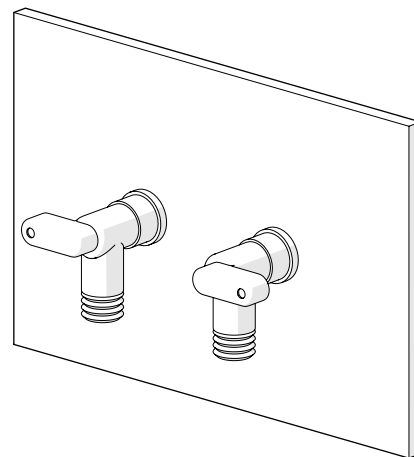
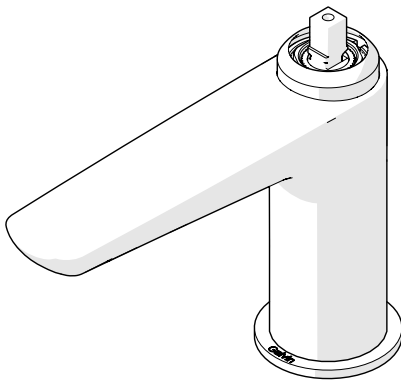
3. Secure Tap

- Fit the mounting gasket and bracket as shown.
- Screw hex nut on threaded rod finger tight.



4. Tighten Installation

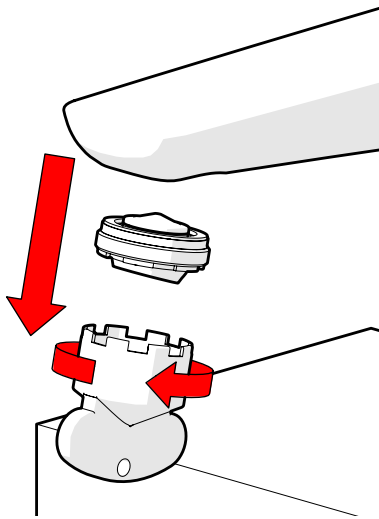
- Tighten the hex nut using the provided tool as shown.
- Ensure the tap body doesn't move on the sink once tightened.



5. Connect Water and Test

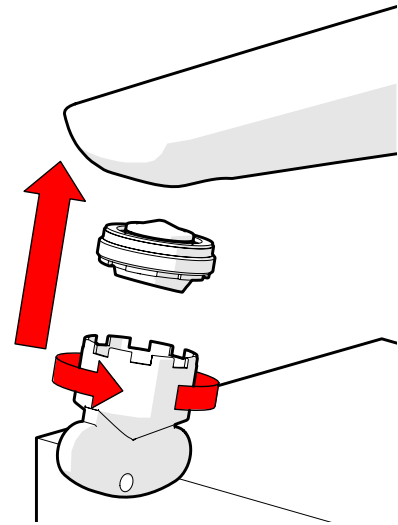
- We recommend the use of wall mounted isolating valves (not included).
- Ensure water supply lines are flushed before connecting.
- Connect the flexible hoses to the mains water ensuring the hot and cold hoses are correct.
- Test the tap for leaks and correct operation.

REMOVE & INSPECT FLOW REGULATING AERATOR



1. Remove Aerator Housing

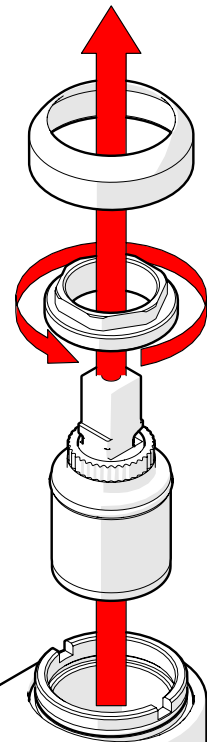
- Remove the flow regulating aerator housing as shown.



2. Reassemble

- Reverse step 1 to reassemble ensuring the orientation is correct.
- Test for leaks and correct operation.

REMOVE & INSPECT CARTRIDGE



1. Remove Cartridge

- Pull Dome off of cartridge locknut.
- Unscrew mixer Locknut and remove Cartridge.
- Inspect for debris and clean. Replace if necessary.
- Once cleared reverse above actions.



Note: For cartridge replacement, please contact Galvin Engineering.

TROUBLESHOOTING		
PROBLEM	CAUSE	RECTIFICATION
Tap is leaking	Cartridge damaged	Remove and inspect the cartridge, remove debris and/or replace if damaged
	Tap incorrectly installed	Follow the installation steps above when fitting the tap.
Tap has inconsistent flow	Blocked flow regulator	Follow the instructions above to remove flow regulator from the body and check for debris. Install an inline strainer to stop further blockages.
Tap moves on basin	Insufficiently tightened	Follow the steps above in relation to tightening the installation.
Water temperature is opposite to the handle markings	Inlet hoses connected incorrectly	Switch the hoses connection on the inlets
	Inlet hoses connected to wrong isolating valves	Switch the hoses connection on the isolating valves

WARRANTY

Galvin Engineering products are covered under our Manufacturer’s Warranty. Galvin Engineering products must be installed in accordance with the installation instructions and in accordance with AS 3500 and NCC Volume Three, relevant Australian Standards and local authorities applicable to product being installed. Water and electrical supply conditions must also comply to the applicable national and/or state standards, failing to comply with these provisions may void the product warranty and affect performance of the product.

Please visit www.galvinengineering.com.au to view the full warranty, our Installation Compliance and Maintenance & Cleaning information as well as any other additional information.

