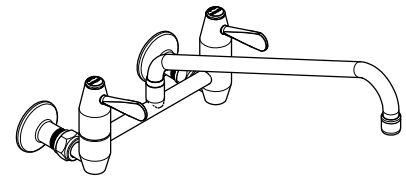


# Ezy-Wash<sup>®</sup> Lead Safe<sup>™</sup> Wall Mtd Exp Mixing Units




PRODUCTS	
Item Code	Description
181.11.71.00	Ezy-Wash <sup>®</sup> CP-BS Lead Safe <sup>™</sup> Wall Mtd Exp Mixing Unit Type 75 FI Inlet w/ 200 Reach
181.12.72.00	Ezy-Wash <sup>®</sup> CP-BS Lead Safe <sup>™</sup> Wall Mtd Exp Mixing Unit Type 76 FI Inlet w/ 300 Reach
181.13.73.00	Ezy-Wash <sup>®</sup> CP-BS Lead Safe <sup>™</sup> Wall Mtd Exp Mixing Unit Type 77 FI Inlet w/ 400 Reach

SPECIFICATIONS
<ul style="list-style-type: none"> <li>– Lever action handles</li> <li>– Quick action SBA's include brass jumper valve/ceramic components, with red or blue indicator buttons on 80mm lever action handles (optional yellow indicator buttons are also available)</li> <li>– All units are finished in bright chrome plate.</li> <li>– Special units can be made to your specifications.</li> <li>– Lead Safe<sup>™</sup> brass construction. *</li> </ul>

**IMPORTANT:** All Ezy-Wash<sup>®</sup> Food Service taps are tested in accordance with AS/NZS 3718 and leave our premises in good working order.

\* Our Lead Safe<sup>™</sup> product range is compliant with the Lead-Free Requirements of the NCC 2022 Vol. Three, Clause A5G4(2) and NSF/ANSI 372.  
 \*\* Any flow controller incorporated in the outlet to be tightened to prevent removal by hand. As Per AS3718.

<b>WARNINGS:</b> Special attentions to be paid on notes, photos, images, or drawings of assembly steps marked with the warning symbol.	
--	---

TECHNICAL DATA			
Inlet	1/2" BSP – Female		
Outlet	Aerator		
Headwork	Jumper Valve		
Working Pressure Range (kPa)	Min	50	
	Max	500	
Working Temperature Range (°C)	Jumper Valve / Ceramic	Min	5
	Jumper Valve/ Ceramic	Max	65
Nominal Flow Rate (LPM)	8.02		
Water Consumption	9 lpm		
WELS Rating	3 Star		
Finish	Chrome		

**NOTE:** Galvin Engineering continually strive to improve their products. Specifications may change without notice.

TOOLS REQUIRED	
- Spanner & 10mm Hex Key	- Thread Tape

**PRE-INSTALLATION**

**MOUNTING DETAILS**


**Hole Centres**

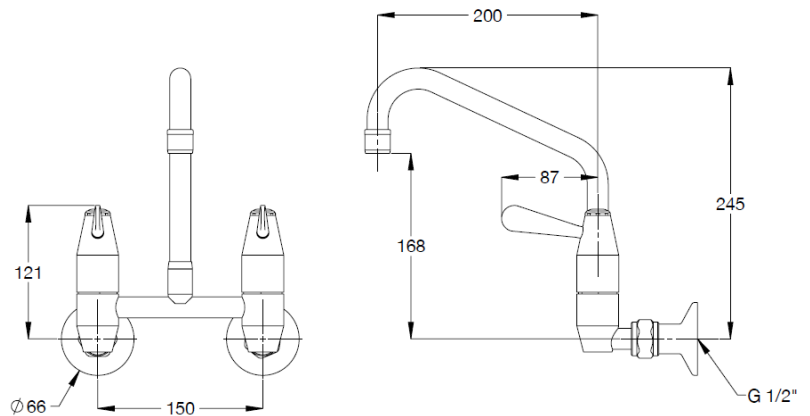
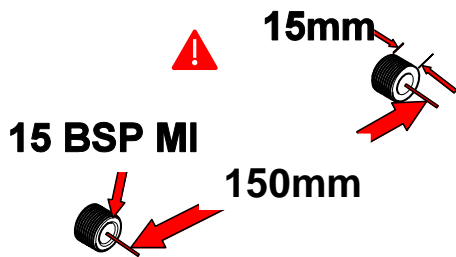
- Hole centres must be at 150mm  $\pm 0.5$ mm (181.11.71.00 & 181.12.72.00) and at 205mm  $\pm 0.5$ mm (181.13.73.00).

This is critical to ensure easy installation

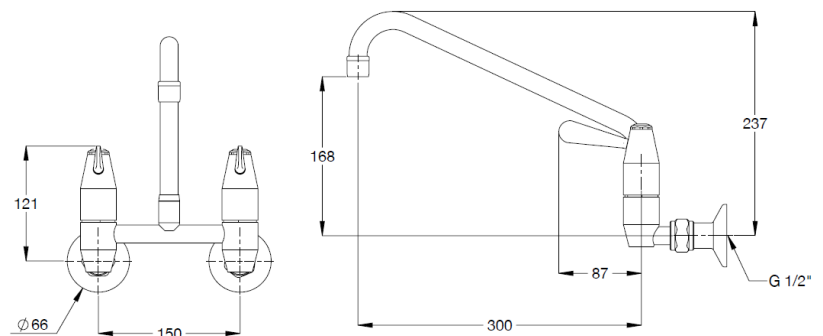
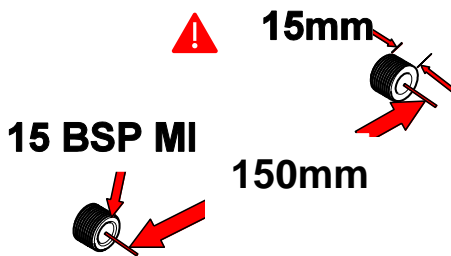
- Wall spuds must be 15BSP MI and protrude from the finished wall by no more than 15mm

**Note:** If a male thread connection on the tap is more suited. If so, please contact us on 1300 514 074.

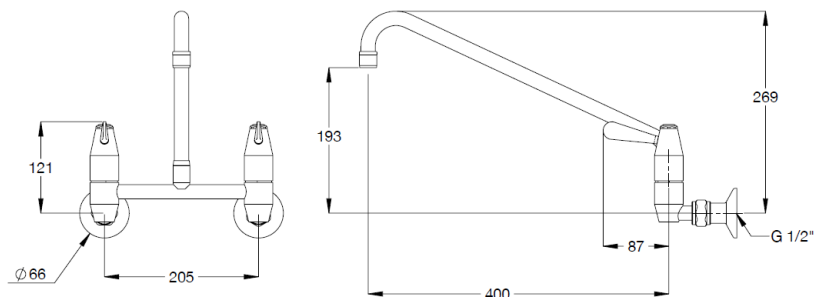
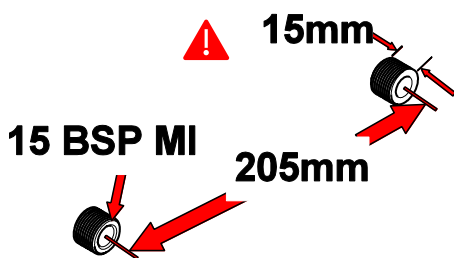
- **Before installation, all lines must be flushed.**
- **Galvin Engineering recommends the installation of strainers and pressure reducing valves (when necessary) to ensure clean consistant supply. Debris or poor water quality could affect the performance of the unit.** 



**181.11.71.00**



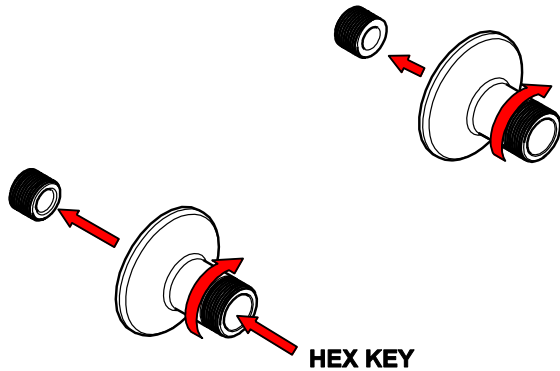
**181.12.72.00**



**181.13.73.00**

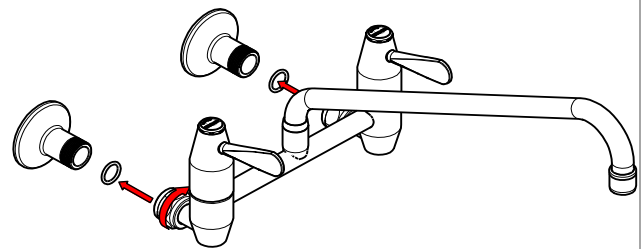
## INSTALLATION

**INSTALLATION COMPLIANCE:** Galvin Engineering products must be installed in accordance with these installation instructions and in accordance with AS/NZS 3500, the PCA and your local regulatory requirements. Water and/or electrical supply conditions must also comply to the applicable National and/or State standards. Failing to comply with these provisions shall void the product warranty and may affect the performance of the product.



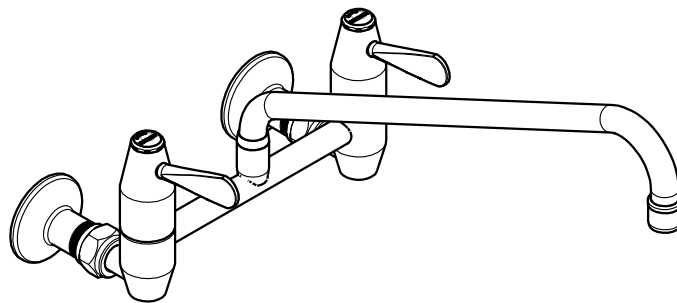
### 1. Fit Wall Flange

- Remove the wall flanges from the supplied unit.
- Fit the wall flange onto the wall spud with a 10mm hex key.
- We recommend using thread tape or equivalent to ensure the connection does not leak.



### 2. Mixing Unit Body

- Ensure the O-rings are fitted on to the spigot inside the loose nuts and then fit the tap unit onto the wall flanges.
- Screw up the loose nuts and tighten securely.



### 3. Testing

- Open the lever handles and ensure there is flow from both hot and cold outlets.
- Inspect the tap and check for any leaks.

**TROUBLESHOOTING**

<b>PROBLEM</b>	<b>CAUSE</b>	<b>RECTIFICATION</b>
Taps are dripping water	Jumper valves are worn or damaged	Replace jumper valve
	Tap seat is damaged	Refurbish tap seat using a reseating tool.
Water is leaking from spindle	O-ring on jumper valve spindle is damaged or worn	Replace o-ring
Water is not flowing from tap	Water is turned off	Turn water on
	Aerator or flow regulator is blocked by debris	Remove aerator and/or flow regulator from tap and remove debris. Install an inline strainer.
Spindle is difficult to turn	Build up of scale on spindle, spindle worn or o-ring has been damaged	Remove jumper valve, clean and regrease. Replace o-ring. Complete SBA may need to be replaced.
Handle is loose	Screw has come loose	Tighten handle screw
Flange does not screw down onto basin/sink surface	Tap bodies are set too far out	Re-position tap bodies and breach piece

**SERVICE AND MAINTENANCE**

1. Turn of the water supply and turn on the tap handle to drain water from the bodies.
2. Remove the temperature indicator from the handle.
3. Remove the handle from the tap.
4. Unscrew the top assembly from the body.
5. Check the o-ring on the spindle and the jumper valve for wear and damage. Replace if required.
6. Clean the spindle and the body for debris.
7. Place a new o-ring (if required) onto the spindle and re-grease with potable water approved grease.
8. Re-assembly top assembly, ensure follow the product installation guidelines for the relevant product to re-assemble.

## WARRANTY

Galvin Engineering products are covered under our Manufacturer's Warranty. Galvin Engineering products must be installed in accordance with the installation instructions and in accordance with AS 3500 and NCC Volume Three, relevant Australian Standards and local authorities applicable to product being installed. Water and electrical supply conditions must also comply to the applicable national and/or state standards, failing to comply with these provisions may void the product warranty and affect performance of the product.

Please visit [www.galvinengineering.com.au](http://www.galvinengineering.com.au) to view the full warranty, our Installation Compliance and Maintenance & Cleaning information as well as any other additional information.