



Product Installation Guidelines

Version 2, 17th May 2023, Page 1 of 4

Clinimix[®] Lead Safe[™] Thermostatic Cartridge Assembly W/ Reduced Rotation

PRODUCT CODES

- 100.90.71.20



WaterMark
AS 4032.4 Lic. WMKA21989
SAI Global




SPECIFICATIONS

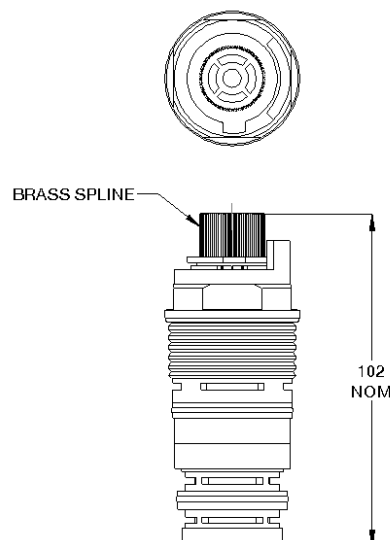
– The cartridge assembly is made of Lead Safe* DR Brass

* As 'lead free' is not currently defined by law in Australia and New Zealand, we have based our definition of Lead Safe[™] on the requirements of s1417 of the USA's Safe Drinking Water Act (SDWA) and the relevant US standards NSF61 / NSF372. The SDWA defines 'lead free' as "not more than a weighted average of 0.25% lead when used with respect to the wetted surface of pipes, pipe fittings, plumbing fittings and fixtures".

TECHNICAL DATA

Inlet	N/A	
Outlet	N/A	
Headwork	Thermostatic Mixing Valve	
Working Pressure Range (kPa)	Min	20
	Max	500
Working Temperature Range (°C)	Min	5
	Max	85
Nominal Flow Rate (LPM)	N/A	
Construction	DZR Brass	
Finish	DZR Brass	
NOTE: Galvin Engineering continually strive to improve their products. Specifications may change without notice.		
WARNINGS: Special attentions to be paid on notes, photos, images, or drawings of assembly steps marked with the warning symbol. 		

DIMENSIONS



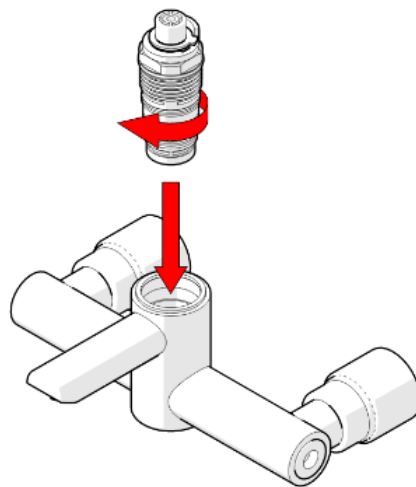


INSTALLATION

INSTALLATION COMPLIANCE: Galvin Engineering products must be installed in accordance with these installation instructions and in accordance with AS/NZS 3500, the PCA and your local regulatory requirements. Water and/or electrical supply conditions must also comply to the applicable national and/or state standards. Failing to comply with these provisions shall void the product warranty and may affect the performance of the product.

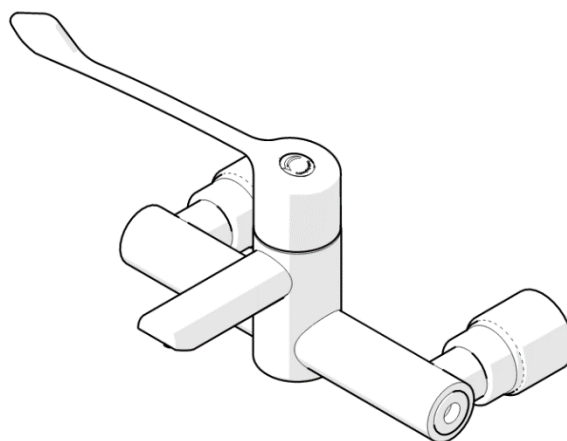


This cartridge is not recommended as a replacement for shower mixers due to increased turning force required for activation. Contact Galvin Engineering for more information.



1. Fit cartridge to body and screw cartridge nut

- Check and clean body before inserting the cartridge. Make sure body is clear of any debris.
- Check cartridge for wear/damage.

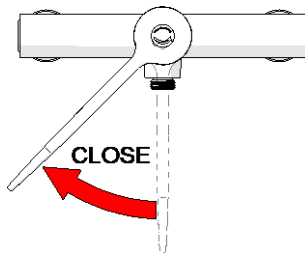


2. Check for correct operation

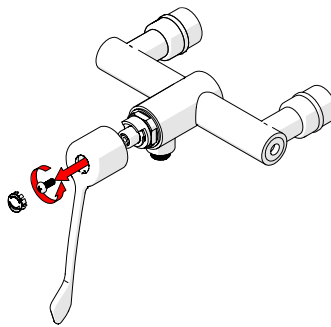
- Connect water supply and check for correct operation.



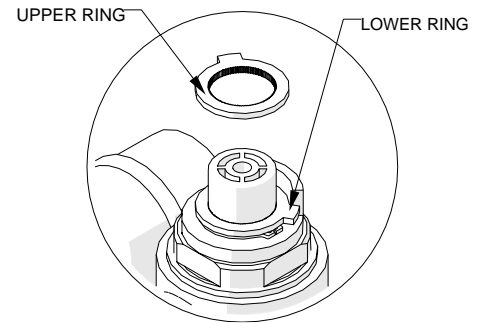
ADJUSTMENT OF MIX TEMPERATURES



1. Close the valve.

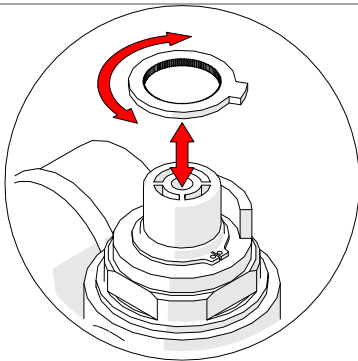


2. Remove top cap, screw, and handle, ensure that the cartridge is closed.

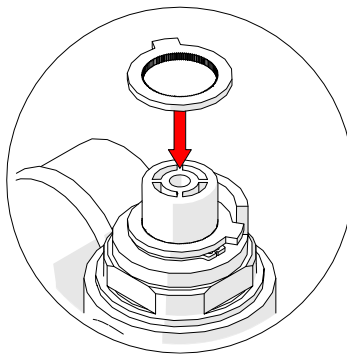


3. Remove the upper brass ring (closure setting ring).

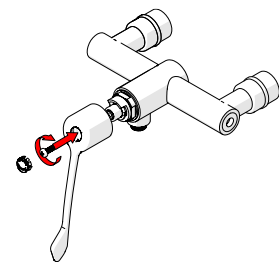
⚠ Make sure the control rod doesn't rotate.



4. Remove the lower brass ring (temperature setting ring) and rotate the brass ring clockwise to increase temperature or anti-clockwise to decrease.



5. Reposition the upper ring in the same position – up against the stop.



6. Test the set temperature. If the temperature is acceptable, reposition the handle (section 6.1), the screw and the top cap otherwise repeat from step 3 to 6.

TROUBLESHOOTING		
PROBLEM	CAUSE	RECTIFICATION
The desired mixed water temperature cannot be obtained, or valve is difficult to set.	Thermostatic cartridge contains debris or is damaged.	Clean cartridge ensuring all debris is removed and components are not damaged. Replace if necessary.
The thermostatic mixing valve will not shut down		
Mix temperature unstable.		
Water is not flowing from outlet.		

WARRANTY

The warranty set forth herein is given expressly and is the only warranty given by the Galvin Engineering Pty Ltd. With respect to the product, Galvin Engineering Pty Ltd makes no other warranties, express or implied. Galvin Engineering Pty. Ltd. hereby specifically disclaims all other warranties, express or implied, including but not limited to the implied warranties of merchantability and fitness for a particular purpose.

Galvin Engineering Pty Ltd products are covered under our manufacturer's warranty available for download from www.galvinengineering.com.au Galvin Engineering Pty Ltd expressly warrants that the product is free from operational defects in workmanship and materials for the warranty period as shown on the schedule in the manufacturer's warranty. During the warranty period, Galvin Engineering will replace or repair any defective products manufactured by Galvin Engineering without charge, so long as the terms of the Manufacturer's warranty are complied with.

The remedy described in the first paragraph of this warranty shall constitute the sole and exclusive remedy for breach of warranty, and Galvin Engineering Pty Ltd shall not be responsible for any incidental, special or consequential damages, including without limitation, lost profits or the cost of repairing or replacing other property which is damaged if this product does not work properly, other costs resulting from labour charges, delays, vandalism, negligence, fouling caused by foreign material, damage from adverse water conditions, chemical, electrical or any other circumstances over which Galvin Engineering has no control. This warranty shall be invalidated by any abuse, misuse, misapplication, improper installation or improper maintenance or alteration of the product.

Within Australia: 1300 514 074 Outside Australia: P: +61 (0)8 9338 2344

F: +61 (0)8 9338 2340

sales@galvinengineering.com.au

www.galvinengineering.com.au

ABN: 78 008 719 382

PERTH | SYDNEY | MELBOURNE | BRISBANE | ADELAIDE

