

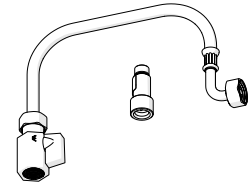
CliniMix® Lead Safe Flushing Kit for CMV2

PRODUCT CODES

- 100102



WaterMark
AS 4032.4 Lic. WMKA21989
SAI Global



SPECIFICATIONS

- Exclusively designed to be used before commissioning for all CMV2 range.
- Lead Safe™ brass construction.

IMPORTANT: All CliniMix taps are tested in accordance with AS 4032.4 and leave our premises in good working order.

*As 'lead free' is not currently defined by law in Australia and New Zealand, we have based our definition of Lead Safe™ on the requirements of s1417 of the USA's Safe Drinking Water Act (SDWA) and the relevant US standards NSF61 / NSF372. The SDWA defines 'lead free' as "not more than a weighted average of 0.25% lead when used with respect to the wetted surface of pipes, pipe fittings, plumbing fittings and fixtures".

WARNINGS: Special attention to be paid on notes, photos, images, or drawings of assembly steps marked with the warning symbol.

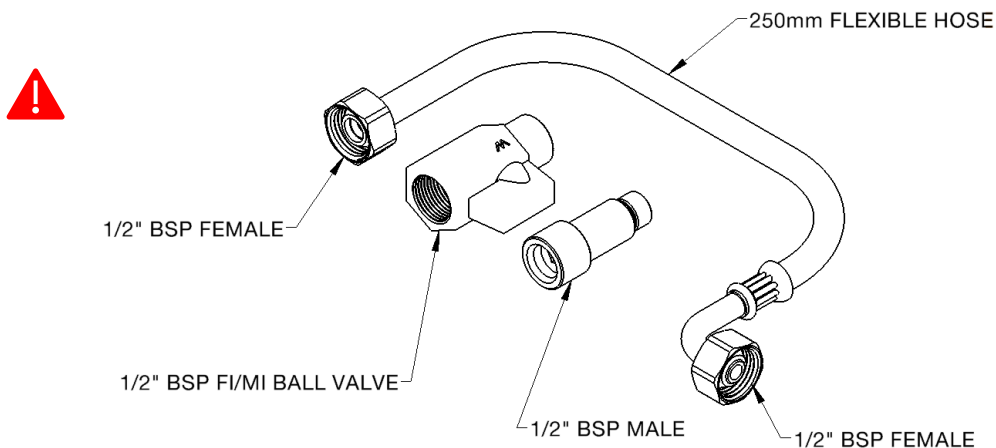


TECHNICAL DATA

Inlet	G 1/4" BSP	
Outlet	G 1/2" BSP	
Headwork	N/A	
Working Pressure Range (kPa)	Min	5
	Max	500
Working Temperature Range (°C)	Min	5
	Max	85
Nominal Flow Rate (LPM)	N/A	
Construction	Brass	
Finish	Brass	

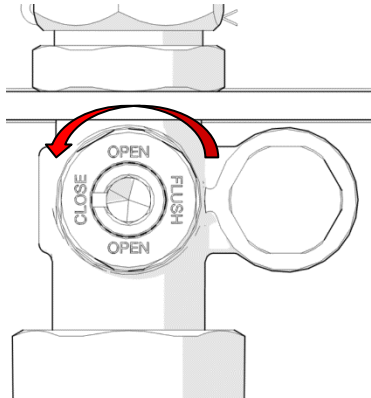
NOTE: Galvin Engineering continually strive to improve their products. Specifications may change without notice.

DIMENSIONS



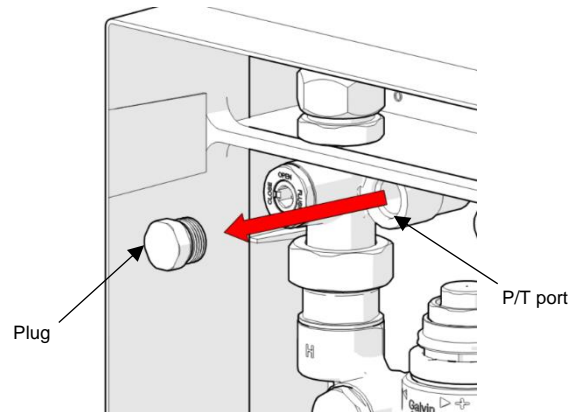
INSTALLATION

INSTALLATION COMPLIANCE: Galvin Engineering products must be installed in accordance with these installation instructions and in accordance with AS/NZS 3500, the PCA and your local regulatory requirements. Water and/or electrical supply conditions must also comply to the applicable national and/or state standards. Failing to comply with these provisions shall void the product warranty and may affect the performance of the product.



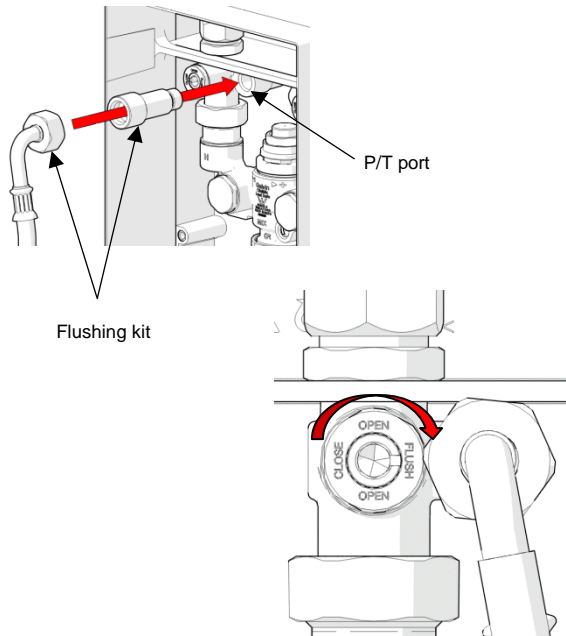
1. Set ball valve into 'FLUSH' position

- Before operation, ensure the water mains are shut off.
- Using allen key 6mm, turn the ball valves to 'FLUSH' position.



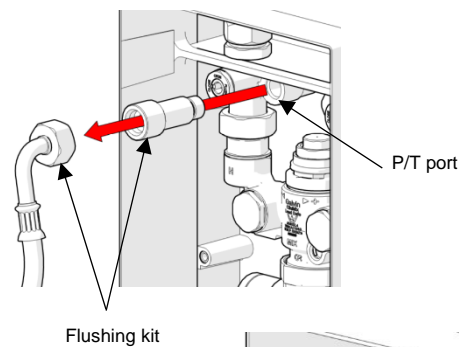
2. Remove Nipple

- Using spanner 15mm, unscrew and remove the plug from the P/T port



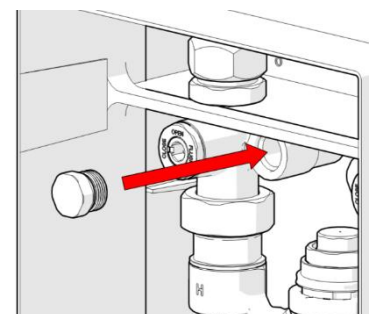
3. Attach flushing kit

- Fit flushing kit to P/T port using Allen key 8mm.
- Attach the supplied 1/2" ball valve to the other end of the hose, close it and direct it into bucket or basin (if already installed).
- Open the water mains. Slowly open the 1/2" ball valve and thoroughly flush the pipework.
- When all pipework is correctly flushed, turn the unit's ball valve to 'CLOSE' position.



4. Detach flushing kit

- Detach the flushing kit and install back the plug to the P/T port.
- Apply same operation to the other P/T port.



TROUBLESHOOTING		
PROBLEM	CAUSE	RECTIFICATION
Water flows from P/T port in 'Close' or 'Open' position	Isolating valve damaged	Replace isolating valve. For more information, please visit www.galvinengineering.com.au .
Water does not flow from the hose	Water supply is closed	Open water supply
	Isolating ball valve position different than 'FLUSH'	Turn the ball valve to 'FLUSH' position
	Isolating valve damaged	Replace isolating valve. For more information, please visit www.galvinengineering.com.au .

WARRANTY

The warranty set forth herein is given expressly and is the only warranty given by the Galvin Engineering Pty Ltd. With respect to the product, Galvin Engineering Pty Ltd makes no other warranties, express or implied. Galvin Engineering Pty. Ltd. hereby specifically disclaims all other warranties, express or implied, including but not limited to the implied warranties of merchantability and fitness for a particular purpose.

Galvin Engineering Pty Ltd products are covered under our manufacturer’s warranty available for download from www.galvinengineering.com.au Galvin Engineering Pty Ltd expressly warrants that the product is free from operational defects in workmanship and materials for the warranty period as shown on the schedule in the manufacturer’s warranty. During the warranty period, Galvin Engineering will replace or repair any defective products manufactured by Galvin Engineering without charge, so long as the terms of the Manufacturer’s warranty are complied with.

The remedy described in the first paragraph of this warranty shall constitute the sole and exclusive remedy for breach of warranty, and Galvin Engineering Pty Ltd shall not be responsible for any incidental, special or consequential damages, including without limitation, lost profits or the cost of repairing or replacing other property which is damaged if this product does not work properly, other costs resulting from labour charges, delays, vandalism, negligence, fouling caused by foreign material, damage from adverse water conditions, chemical, electrical or any other circumstances over which Galvin Engineering has no control. This warranty shall be invalidated by any abuse, misuse, misapplication, improper installation or improper maintenance or alteration of the product.

Within Australia: 1300 514 074 Outside Australia: P: +61 (0)8 9338 2344

F: +61 (0)8 9338 2340

sales@galvinengineering.com.au

www.galvinengineering.com.au

ABN: 78 008 719 382

PERTH | SYDNEY | MELBOURNE | BRISBANE | ADELAIDE

