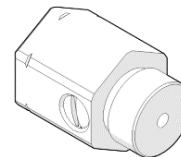


BS Lead Safe™ Hex Regulating Valve 15 M&F

PRODUCT CODES

- 170.95.10.09



SPECIFICATIONS

- Lead Safe™ brass construction. *
- Can be used for all items applicable with Male to Female 15 BSP connections

WARNINGS: Special attentions to be paid on notes, photos, images, or drawings of assembly steps marked with the warning symbol.

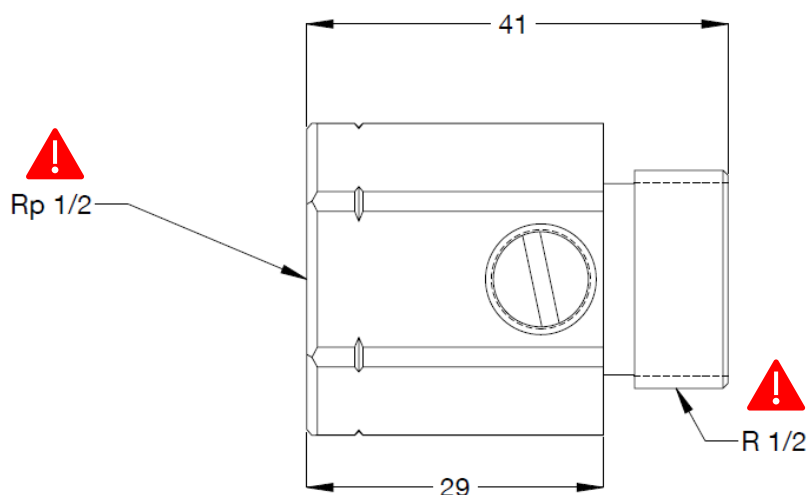


TECHNICAL DATA

Inlet	G 1/2" - Female
Outlet	G 1/2" - Male
Construction	Brass
Finish	Brass/Chrome

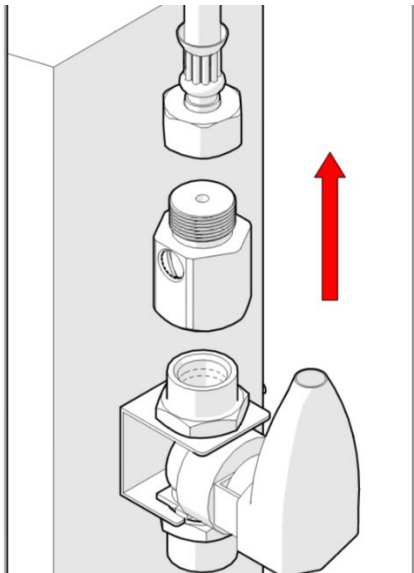
NOTE: Galvin Engineering continually strive to improve their products. Specifications may change without notice.

DIMENSIONS

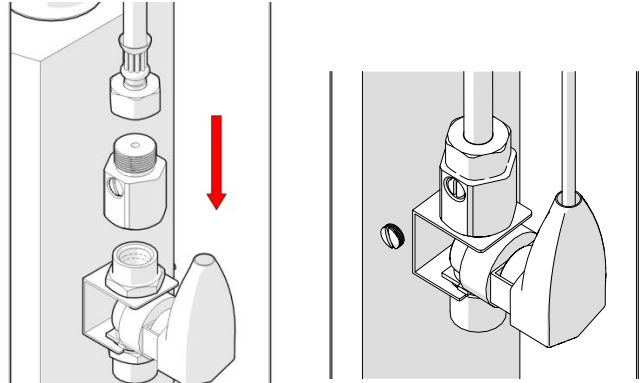


INSTALLATION

INSTALLATION COMPLIANCE: Galvin Engineering products must be installed in accordance with these installation instructions and in accordance with AS/NZS 3500, the PCA and your local regulatory requirements. Water and/or electrical supply conditions must also comply to the applicable national and/or state standards. Failing to comply with these provisions shall void the product warranty and may affect the performance of the product.



- 1. Remove old regulating valve**
 - Disconnect the outlet hose and remove the old regulating valve from existing connection



- 2. Replace regulating valve and test**
 - Connect new regulating valve and re-assemble with the outlet hose
 - Check for correct operation

TROUBLESHOOTING

PROBLEM	CAUSE	RECTIFICATION
No water flow	Blocked flow regulating screw	Remove flow regulating screw and clean

WARRANTY

Galvin Engineering products are covered under our Manufacturer's Warranty. Galvin Engineering products must be installed in accordance with the installation instructions and in accordance with AS 3500 and NCC Volume Three, relevant Australian Standards and local authorities applicable to product being installed. Water and electrical supply conditions must also comply to the applicable national and/or state standards, failing to comply with these provisions may void the product warranty and affect performance of the product.

Please visit www.galvinengineering.com.au to view the full warranty, our Installation Compliance and Maintenance & Cleaning information as well as any other additional information.