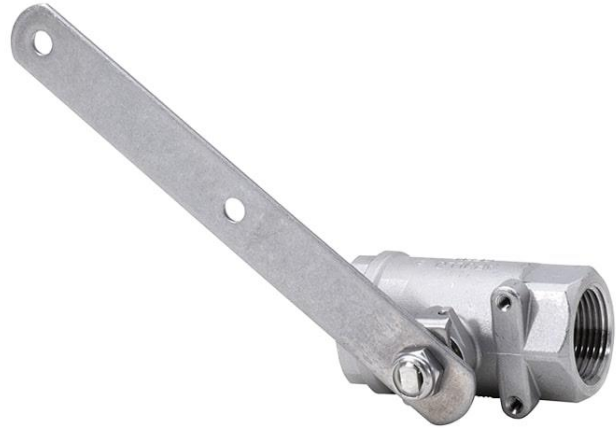


GalvinSafe[®] SS316 Shower Head Valve + Handle (HAWS)

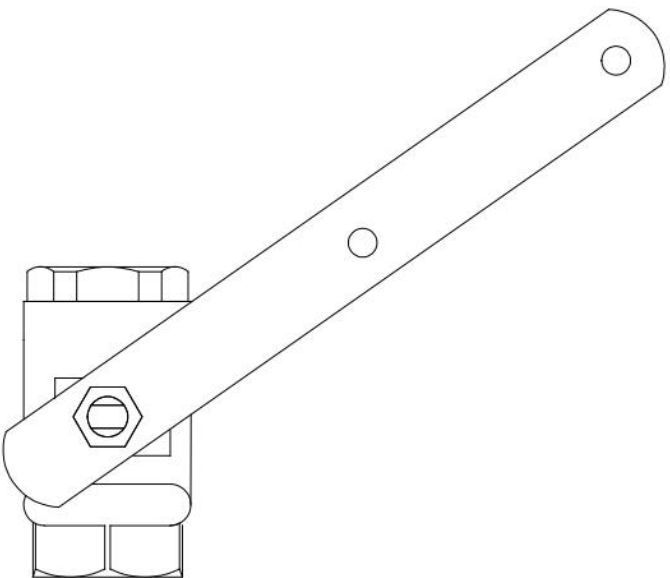
PRODUCT CODE:

Galvin Engineering: 190.92.04.30

HAWS: SP265

**INSTALLATION**

Refer to installation drawing for installation procedure.



HORIZONTAL CONFIGURATION (STANDARD)

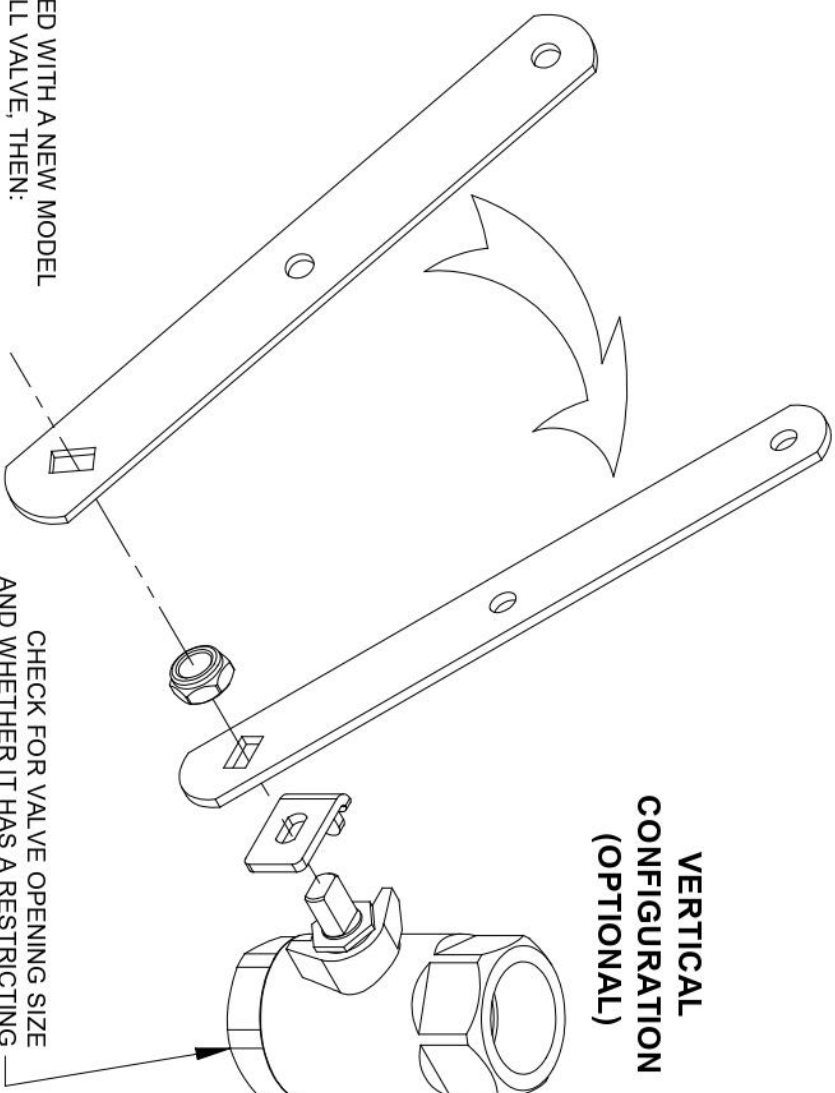
- NOTES:**
1. WHEN EXISTING SHOWER BALL VALVE NEEDS TO BE REPLACED WITH A NEW MODEL 190.92.04.30 BALL VALVE, FIRST REMOVE AND CHECK OLD BALL VALVE, THEN:

OPTION 1: IF IT HAS A FULL PORT BUT DOES NOT HAVE A BRASS RESTRICTING WASHER INSTALLED IN FRONT OF THE VALVE BALL, THEN JUST REPLACE IT.

OPTION 2: IF IT HAS A FULL PORT AND A BRASS RESTRICTING WASHER INSTALLED IN FRONT OF THE VALVE BALL, THEN REUSE THE WASHER WHEN INSTALLING THE VALVE.

FAILURE TO DO OPTION 2 (IF YOUR SITUATION FITS) COULD RESULT IN THE SHOWER AND THE EYEWASH NOT WORKING SIMULTANEOUSLY.

2. FOR VERTICAL CONFIGURATION: REMOVE HANDLE, FLIP COMPLETELY TO OTHER SIDE AND REATTACH.



VERTICAL CONFIGURATION (OPTIONAL)

CHECK FOR VALVE OPENING SIZE AND WHETHER IT HAS A RESTRICTING WASHER OR NOT.

DISTRIBUTED BY:

GalvinEngineering
the mark of reliability

410 VICTORIA RD MALAGA WA
ABN:78 008 719 382
+61 8 9338 2344 FAX: +61 8 9338 2340
EMAIL: sales@galvinengineering.com.au
WEBSITE: www.galvinengineering.com.au



ECON NO.	REVISED PER BY:	MODEL(S)	PART NUMBER
	ECON:4613 HM	190.92.04.30 (SP265)	0002080333
DRAWN:	DATE:	GALVINSAFE SS316 SHOWER HEAD	DRAWING NO.
RTM	07/31/02	VALVE PLUS HANDLE (HAWS)	RES
APPROVED:	DATE:	SCALE: 1:1	DRAWING TYPE: INSTALLATION
		SIZE: A	SHEET: 1 OF 1

WARRANTY

The warranty set forth herein is given expressly and is the only warranty given by the Galvin Engineering Pty Ltd. With respect to the product, Galvin Engineering Pty Ltd makes no other warranties, express or implied. Galvin Engineering Pty. Ltd. hereby specifically disclaims all other warranties, express or implied, including but not limited to the implied warranties of merchantability and fitness for a particular purpose.

Galvin Engineering Pty Ltd products are covered under our manufacturer’s warranty available for download from www.galvinengineering.com.au Galvin Engineering Pty Ltd expressly warrants that the product is free from operational defects in workmanship and materials for the warranty period as shown on the schedule in the manufacturer’s warranty. During the warranty period, Galvin Engineering will replace or repair any defective products manufactured by Galvin Engineering without charge, so long as the terms of the Manufacturer’s warranty are complied with.

The remedy described in the first paragraph of this warranty shall constitute the sole and exclusive remedy for breach of warranty, and Galvin Engineering Pty Ltd shall not be responsible for any incidental, special or consequential damages, including without limitation, lost profits or the cost of repairing or replacing other property which is damaged if this product does not work properly, other costs resulting from labour charges, delays, vandalism, negligence, fouling caused by foreign material, damage from adverse water conditions, chemical, electrical or any other circumstances over which Galvin Engineering has no control. This warranty shall be invalidated by any abuse, misuse, misapplication, improper installation or improper maintenance or alteration of the product.