

**Product Installation Guidelines & Scope of Use**

Version 1, 12 September 2024, Page 1 of 3  
Document No.: 190.93.00.10

**SS Cabinet 350 x 350 for Safety TMV**



**PRODUCT CODES**

- 190.93.00.10

**SPECIFICATIONS**


- Designed specifically for use with the CliniMix® Emergency Shower Thermostatic Mixing Valve 190.88.00.09.
- Adjustable cover height
- Designed to be front wall mounted.
- Secured using back mount.
- Stainless steel material

**IMPORTANT:** Galvin Engineering continually strive to improve their products. Specifications may change without notice.

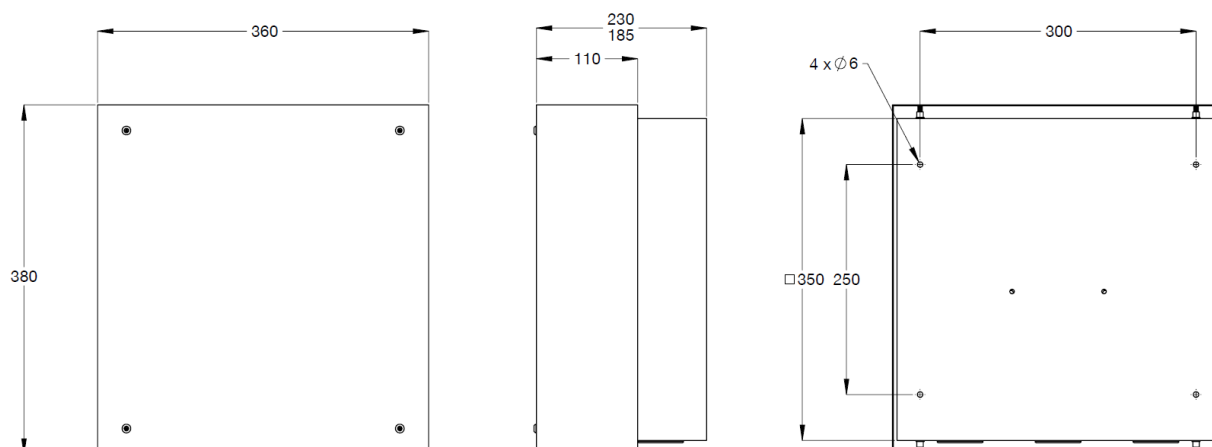
**WARNINGS:** Special attention to be paid on notes, photos, images, or drawings of assembly steps marked with the warning symbol.



**TOOLS REQUIRED**

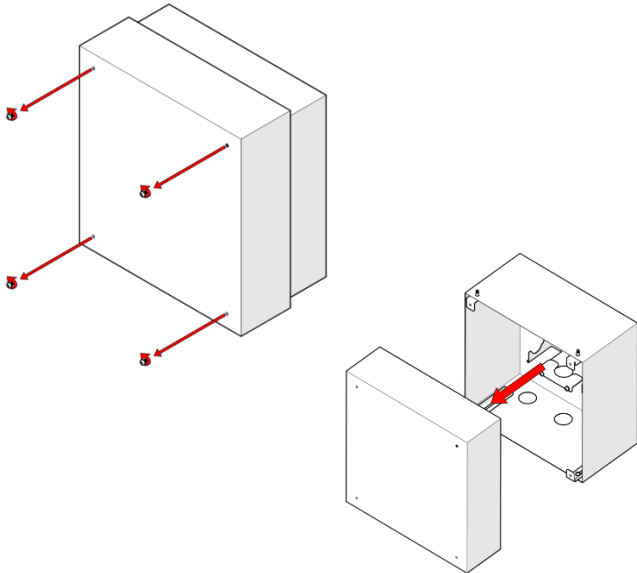
- Phillips screwdriver
- Wall mounted fasteners not supplied 

**DIMENSIONS**

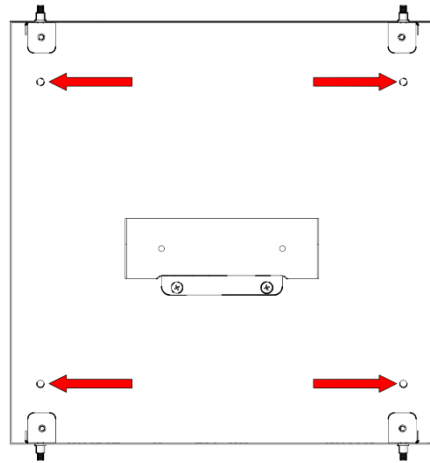


**INSTALLATION**

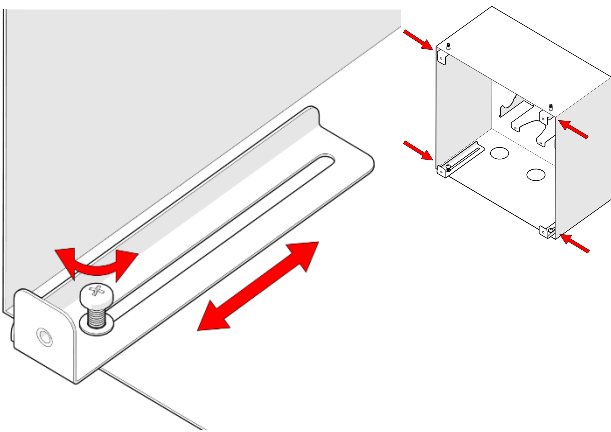
**INSTALLATION COMPLIANCE:** Galvin Engineering products must be installed in accordance with these installation instructions and in accordance with AS/NZS 3500, the PCA and your local regulatory requirements. Water and/or electrical supply conditions must also comply to the applicable national and/or state standards. Failing to comply with these provisions shall void the product warranty and may affect the performance of the product.



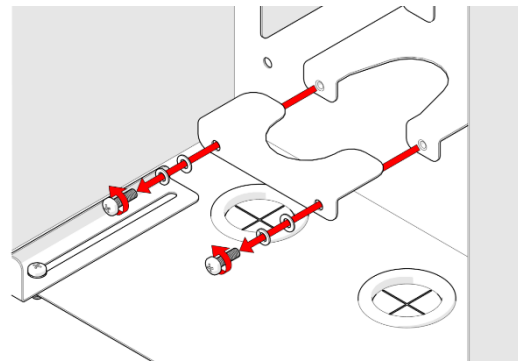
1. Measure & mark the cabinet mounting hole locations as per the *Dimensions* table. Remove the screws and front cover as shown.



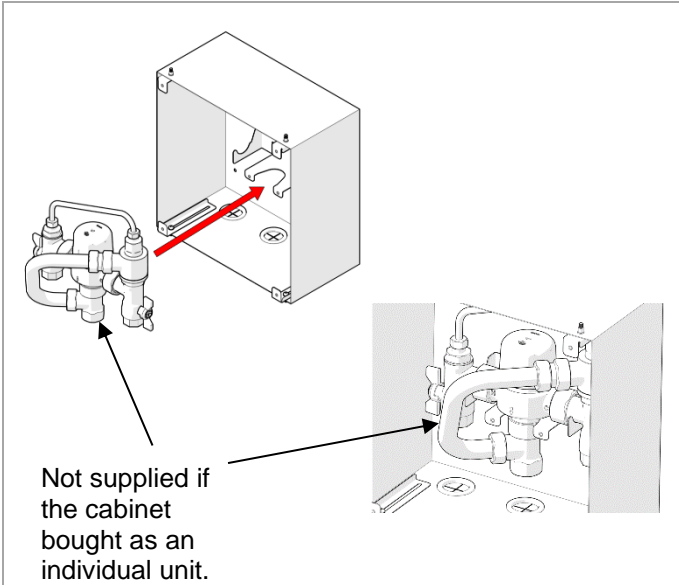
2. Secure cabinet to a wall using the 4 x Ø6mm holes as shown (fasteners not supplied).



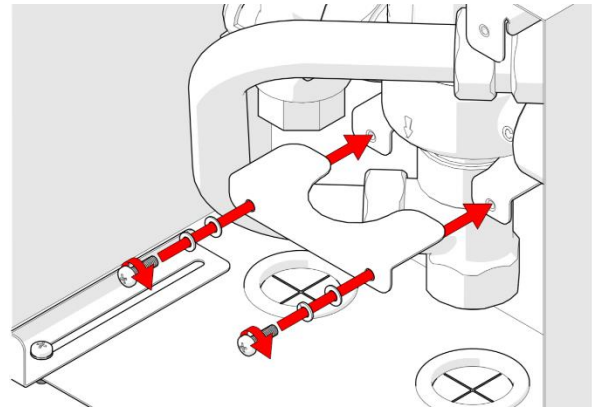
3. Adjust the front cover brackets on all 4 corners to the distance required. A minimum of approximately 60mm out is required for the valve to fit correctly.



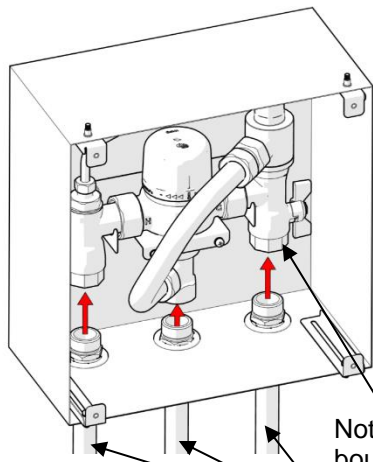
4. Remove screws, washers and valve bracket from the cabinet.



5. Fit the valve as shown ensuring the valve is fully supported by the bracket.

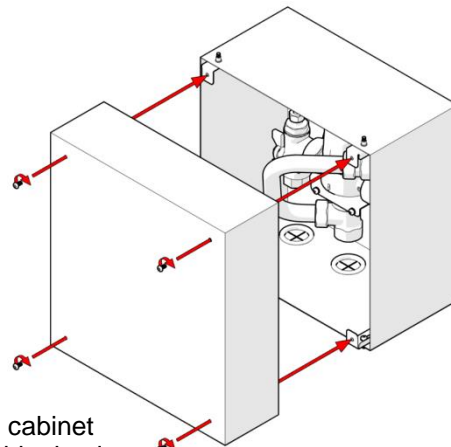


6. Fit screws, washers and valve bracket. Ensure the valve is secure and correctly supported.



Not supplied if the cabinet bought as an individual unit.

Not supplied



7. Connect inlets and outlet (not supplied with cabinet). Fit the front cover and screws.

## WARRANTY

Galvin Engineering products are covered under our Manufacturer's Warranty. Galvin Engineering products must be installed in accordance with the installation instructions and in accordance with AS 3500 and NCC Volume Three, relevant Australian Standards and local authorities applicable to product being installed. Water and electrical supply conditions must also comply to the applicable national and/or state standards, failing to comply with these provisions may void the product warranty and affect performance of the product.

Please visit [www.galvinengineering.com.au](http://www.galvinengineering.com.au) to view the full warranty, our Installation Compliance and Maintenance & Cleaning information as well as any other additional information.