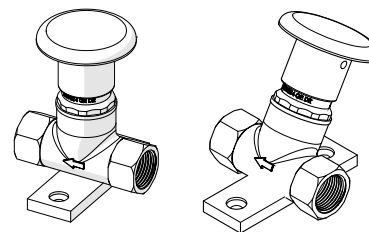




Ezy-Push[®] Push Button Tapware

PRODUCT CODES:

- 361436
- 361444



SPECIFICATIONS

- Foot operated 90° and 60° mount.
- Heavy duty vandal resistant push activated handle and mounting plate.
- Easy to operate.
- Low maintenance.

IMPORTANT: All Ezy-Push[®] Push Button taps are tested in accordance with AS/NZS 3718 and leave our premises in good working order.

TECHNICAL DATA

Inlet	15 BSP - Female	
Outlet	N/A	
Headwork	Push Button	
Working Pressure Range (kPa)	Min	50
	Max	500
Maximum Working Temperature (°C)	Min	5
	Max	70
Nominal Flow Rate (LPM)	N/A	
Finish	Chrome	

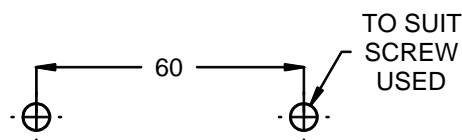
NOTE: Galvin Specialised continually strive to improve their products. Specifications may change without notice.

PRE-INSTALLATION

MOUNTING DETAILS

- If the mounting holes do not already exist, mark out and drill the holes, as shown in rough-in dimensions.

Note: Before installation, all lines must be flushed. We recommend that a line strainer be installed prior to drinking taps to eliminate any foreign material.



MOUNTING DETAILS

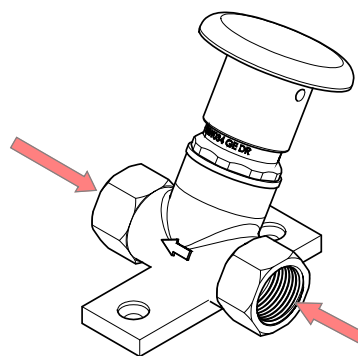
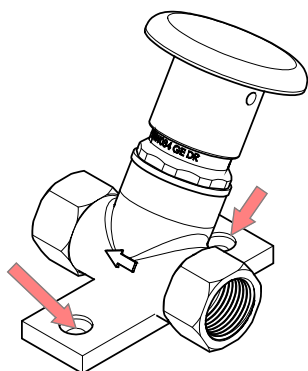
TOOLS REQUIRED

- Power drill
- Spanner
- Thread tape



INSTALLATION

IMPORTANT: Galvin Specialised products must be installed in accordance with these installation instructions and in accordance with AS/NZS 3500, the PCA and your local regulatory requirements. Water and/or electrical supply conditions must also comply to the applicable national and/or state standards. Failing to comply with these provisions shall void the product warranty and may affect the performance of the product.



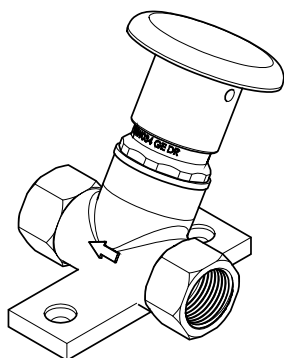
1. Mounting foot valve assembly

- Mount the foot valve body as per mounting details.

2. Restrictor and water connection

- The unit is supplied complete with flow restrictor. When applying thread tape or sealant to the inlet, ensure the opening is not obscured. Failure to do so may restrict or block the flow restrictor, affecting the flow of water.

Note: Never operate without flow restriction, as Ezy-Push Foot Valve will deliver full mains pressure with unrestricted flow



5. Testing

- Once fitted turn on water and check for leaks and correct operation.



Product Installation Guideline

TROUBLESHOOTING		
PROBLEM	CAUSE	RECTIFICATION
Inconsistent flow	Blocked top assembly	Remove top assembly and clean
Water is not flowing from tap	Water is turned off	Turn on water
	Blocked flow restrictor	Remove restrictor and clean
Continuous flow	Top assembly cartridge loose or internally obstructed or damaged	Remove cartridge, clean with water and re-grease spindle if required
Button hard to press	The mains pressure may be too great	Reduce to below 500kPa (70PSI). Regrease spindle if required

WARRANTY

The warranty set forth herein is given expressly and is the only warranty given by the Galvin Engineering Pty Ltd. With respect to the product, Galvin Engineering Pty Ltd makes no other warranties, express or implied. Galvin Engineering Pty. Ltd. hereby specifically disclaims all other warranties, express or implied, including but not limited to the implied warranties of merchantability and fitness for a particular purpose.

Galvin Engineering Pty Ltd products are covered under our manufacturer's warranty available for download from www.galvinengineering.com.au Galvin Engineering Pty Ltd expressly warrants that the product is free from operational defects in workmanship and materials for the warranty period as shown on the schedule in the manufacturer's warranty. During the warranty period, Galvin Engineering will replace or repair any defective products manufactured by Galvin Engineering without charge, so long as the terms of the Manufacturer's warranty are complied with.

The remedy described in the first paragraph of this warranty shall constitute the sole and exclusive remedy for breach of warranty, and Galvin Engineering Pty Ltd shall not be responsible for any incidental, special or consequential damages, including without limitation, lost profits or the cost of repairing or replacing other property which is damaged if this product does not work properly, other costs resulting from labour charges, delays, vandalism, negligence, fouling caused by foreign material, damage from adverse water conditions, chemical, electrical or any other circumstances over which Galvin Engineering has no control. This warranty shall be invalidated by any abuse, misuse, misapplication, improper installation or improper maintenance or alteration of the product.

