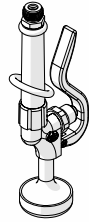


Ezy-Wash® Pre-Rinse Hand Trigger Spray

PRODUCT CODE:

- 37421



SPECIFICATIONS

- Galvin Engineering recommends the installation of strainers and pressure reducing valves prior to installing the pre-rinse unit to ensure clean consistent supply. Debris or poor water quality could cause the trigger to seize or fail to seal.

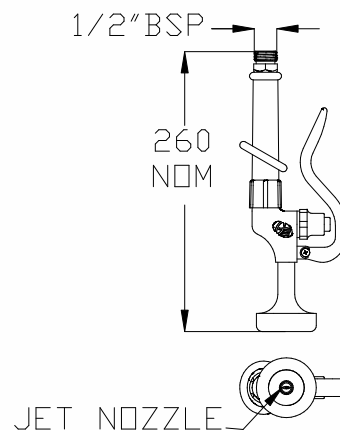
TECHNICAL DATA

Inlet connections	1/2" BSP – Male	
Outlet connections	Trigger Spray	
Headwork	N/A	
Working Pressure Range (kPa)	Min	100
	Max	400
Working Temperature Range (°C)	Min	5
	Max	65
Nominal Flow Rate (LPM)	4.3	
Finish	Chrome	

NOTE: Galvin Engineering continually strives to improve their products. Specifications may change without notice.

PRE-INSTALLATION

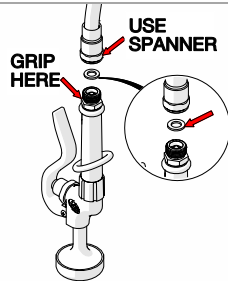
- Before installation, all lines must be flushed.



Product Installation Guideline

INSTALLATION

IMPORTANT: Galvin Engineering products must be installed in accordance with these installation instructions and in accordance with AS/NZS 3500, the PCA and your local regulatory requirements. Water and/or electrical supply conditions must also comply to the applicable national and/or state standards. Failing to comply with these provisions shall void the product warranty and may affect the performance of the product.



1. Fit Trigger spray

- Fit trigger spray to the end of the hose.
- Ensure rubber washer is used between the trigger and the hose.
- Ensure the female socket on the hose is clean and free from debris.



2. Test unit

- Once fitting is tightened securely and connected to the mains water, test the unit for any leaks.

WARNINGS

! For optimum performance it is recommended that the isolation or mains taps are turned off whilst the unit is not in use (overnight etc.), so that the unit is not under mains pressure when unsupervised. Flood damage may occur if a failure occurs whilst the unit is under mains pressure (warranty is void in this instance).

If a blockage occurs, remove the nozzle for cleaning, then replace. Do not try to remove the entire spray head.

! Galvin Engineering recommends that the hand piece is periodically serviced by a qualified plumber.

! **IMPORTANT:** To seal the hose this unit uses Loctite 577 which is a thread sealant approved for use with potable water (AS/NZS 4020). If hose is to be removed for maintenance purposes, reseal the joints with Loctite 577, or an equivalent sealant compliant with AS/NZS 4020. Do not use thread tape to seal the hose connections, as this may cause the hose nut to become loosened over time and leak.

WARRANTY

The warranty set forth herein is given expressly and is the only warranty given by the Galvin Engineering Pty Ltd. With respect to the product, Galvin Engineering Pty Ltd makes no other warranties, express or implied. Galvin Engineering Pty. Ltd. hereby specifically disclaims all other warranties, express or implied, including but not limited to the implied warranties of merchantability and fitness for a particular purpose.

Galvin Engineering Pty Ltd products are covered under our manufacturer's warranty available for download from www.galvinengineering.com.au. Galvin Engineering Pty Ltd expressly warrants that the product is free from operational defects in workmanship and materials for the warranty period as shown on the schedule in the manufacturer's warranty. During the warranty period, Galvin Engineering will replace or repair any defective products manufactured by Galvin Engineering without charge, so long as the terms of the Manufacturer's warranty are complied with.

The remedy described in the first paragraph of this warranty shall constitute the sole and exclusive remedy for breach of warranty, and Galvin Engineering Pty Ltd shall not be responsible for any incidental, special or consequential damages, including without limitation, lost profits or the cost of repairing or replacing other property which is damaged if this product does not work properly, other costs resulting from labour charges, delays, vandalism, negligence, fouling caused by foreign material, damage from adverse water conditions, chemical, electrical or any other circumstances over which Galvin Engineering has no control. This warranty shall be invalidated by any abuse, misuse, misapplication, improper installation or improper maintenance or alteration of the product.

Within Australia: 1300 514 074 Outside Australia: P: +61 (0)8 9338 2344

F: +61 (0)8 9338 2340

sales@galvinengineering.com.au

www.galvinengineering.com.au

ABN: 78 008 719 382

PERTH | SYDNEY | MELBOURNE | BRISBANE | ADELAIDE

