

Red Emperor G Series Premium Swing Fire Hose Reel LH/RH with Fixed Waterway 36m – Red

PRODUCT CODES:

- 382523

GENERAL

Red Emperor fire hose reels are manufactured in accordance with Australian Standard AS1221. The products are certified by SAI Global (Licence No. SMK25253) The reel must not be modified or dismantled before or during installation as such action would nullify the product certification.

The 19mm fire hose reels comply with the discharge requirement of 0.45 litres/sec at an inlet pressure of 220 ± 10 kPa. The supply of water shall be sufficient to enable the hose to deliver a minimum of 0.33 litres/sec. Where the water supply does not comply with this requirement, the installation of a fire hose reel is not recommended. Where the fire hose reel is to be installed in an external situation or an aggressive environment, it shall be protected by a cabinet or other suitable means.

LOCATION & MOUNTING REQUIREMENTS

- Each hose reel shall be located in a readily accessible position and its location shall be clearly indicated. They shall not be installed in fire-isolated exits unless approval is obtained from the Regulatory Authority. Where a fire hose reel is obscured by storage racks or other obstructions, its location shall be indicated by a sign with the words FIRE HOSE REEL, not less than 50mm high on a contrasting background. The sign shall comply with AS1319 and be readily visible to occupants in the protected area.
- The hose reel assembly shall be mounted so that the full diameter of the drum is facing the access point.
- The hose reel assembly shall be suitably mounted at a spindle height of between 1.5m and 2.4m above floor level. The valve shall be mounted at 1m +0.1 above floor level. See page 2 of these instructions (NOTE: The recommended mounting height of the centre of the hose reel is 1.5m above floor level).
- The stop valve assembly and operating instructions (located on front disc) shall be visible and readily accessible when the hose reel is installed, and shall be not more than 2m from the spindle of the hose reel assembly. A clearance of not less than 100mm shall be provided around the valve hand wheel.
- Wherever the hose reel is mounted, there shall be a minimum radial clearance of 100mm between the reel rim and any obstructions which do not form part of the hose assembly.
- The hose reel shall be mounted and installed so that there is no interference with the running out of the hose in any direction.
- The structure on which the hose reel is mounted shall be capable of supporting the mass of the charged hose reel assembly and withstanding the forces which may be applied when the hose reel is used.

TECHNICAL DATA

Operating pressure (kPa)	200 ÷ 1200
Hose bore size (Ømm)	19
Hose Length (m)	36.0
Isolating Valve connection thread size	1" BSP

Within Australia: 1300 514 074 Outside Australia: P: +61 (0)8 9338 2344

F: +61 (0)8 9338 2340

sales@galvinengineering.com.au

www.galvinengineering.com.au

ABN: 78 008 719 382

PERTH | SYDNEY | MELBOURNE | BRISBANE | ADELAIDE



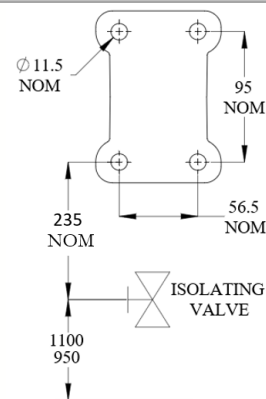
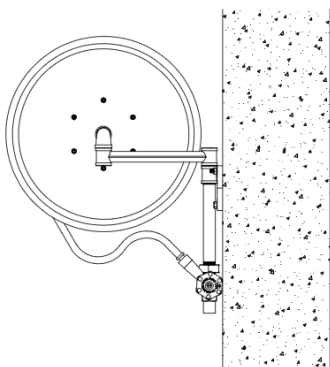
INSTALLATION

This hose reel should be installed in accordance with AS2441 or NZS4503. The following instructions incorporate extracts from AS2441

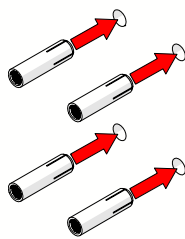
FASTENERS REQUIRED (NOT SUPPLIED WITH REEL)

Mounting Structure	No – of Fasteners	Type of Fastener Recommended
Fire Reel Cabinets	NA	Fasteners for reel supplied with cabinet
Brick, Masonary, Concrete	4	10mm mm Zinc Plated Loxin Bolt (or equivalent)
Timber Panel	4	10mm Zinc Plated Bolts with nuts & washers (or equivalent)

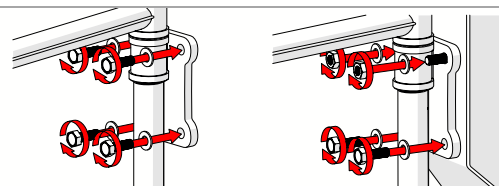
INSTALLATION GUIDELINE



- If the reel is to be mounted inside a cabinet go to step 5. If the reel is to be mounted to an existing wall or other structure go to step 2.
- Mark out the four mounting holes.
- Drill the holes as marked to suit the relevant fasteners.



- Fit and expand the loxins, rawplugs, dynabolts or equivalent, then remove the bolts (loxins) or nuts (rawplugs or dynabolts).



WALL STRUCTURE

CABINET

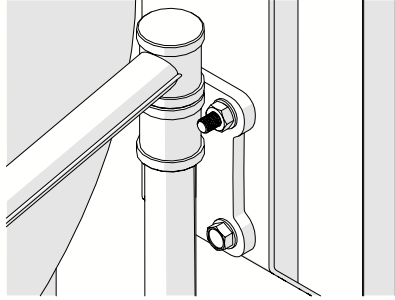
Wall.

5a. Lift the hinge assembly into position on wall and fit the fasteners.

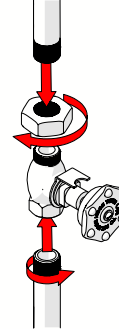
Cabinet.

5b. Fit cabinet in desired location. Note: Galvin cabinet is reversable for left & right opening door.

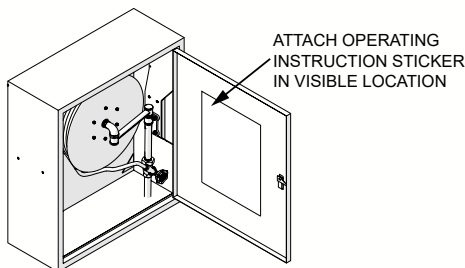
5c. Lift the hinge assembly into position on cabinet and fit the fasteners.



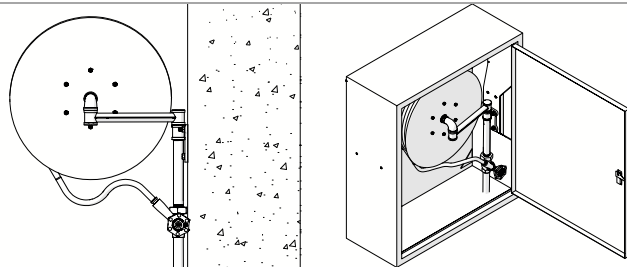
5. Tighten the four fasteners securely ensuring the hinge assembly is level.



6. Connect the stop cock valve to the fire hose reel ensuring the stop cock wheel is facing to the front.



7. Attach the loose operating instructions sticker to the hinge assembly in a visible location.



8. Carry out the fire reel commissioning procedure as laid down in AS2441 or NZS4503. (See page 3 of these instructions).

NOTES:

1. It is recommended that the inlet riser enters the cabinet from the bottom of the cabinet.
2. Ensure riser is high enough in the cabinet.

COMMISSIONING PROCEDURE

After installation of the assembly, the following points must be checked

- a) The hose reel assembly does not interfere with any part of the cabinet, recess or mounting structure when swung into the operational position
- b) Leakage of water does not exceed 5ml in 3 min from the valve gland or discharge nozzle assembly with the hose pressurized and the nozzle closed
- c) The hose can be withdrawn easily in any direction, ie. the hose shall be capable of being unwound when subject to an initial horizontal pull not exceeding 100N (see 'reel unwind test' in AS1221)
- d) The flow rate with the nozzle in the jet mode is operational by discharging water into a container. The rate of flow shall be not less than 0.33 litres/sec.
- e) Any defects found are corrected
- f) The hose is fully charged before being rewound in even layers, the nozzle re-engaged correctly in the interlock, the valve is shut off
- g) The discharge nozzle has been opened and then closed to depressurize the hose

Within Australia: 1300 514 074 Outside Australia: P: +61 (0)8 9338 2344

F: +61 (0)8 9338 2340

sales@galvinengineering.com.au

www.galvinengineering.com.au

ABN: 78 008 719 382

PERTH | SYDNEY | MELBOURNE | BRISBANE | ADELAIDE



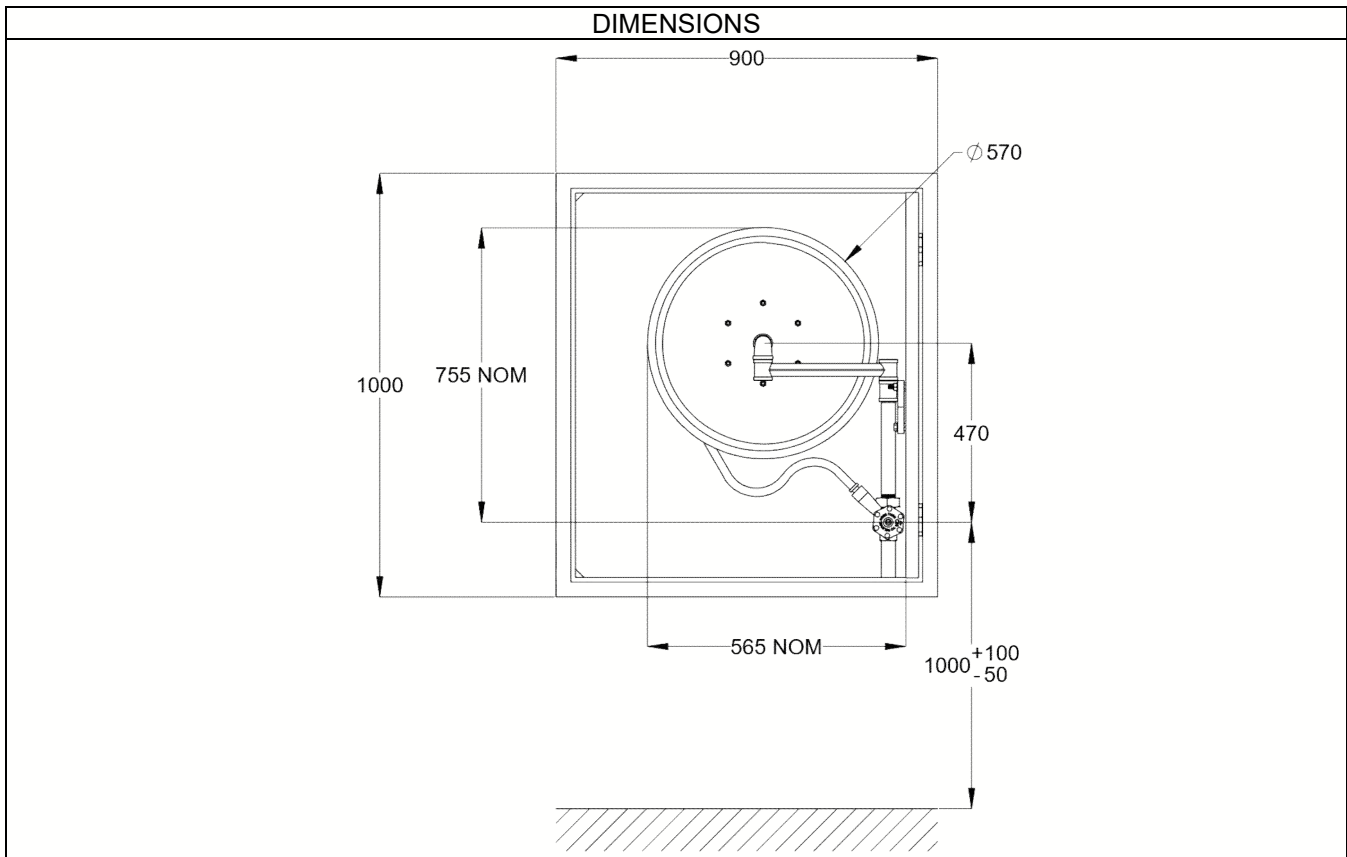
OPERATION

Refer to the pictorial operating and rewind instructions located on the front disc of the fire hose reel itself.

MAINTENANCE

It is recommended that this hose reel be maintained in accordance with AS1851.2 'Maintenance Of Fire Reel Protection Equipment - Part 2 Fire Hose Reels' or NZS 4503.

All 6 monthly and 12 monthly inspections and service should be carried out by qualified and experienced personnel who are familiar with AS1851.2 requirements for maintenance records and tagging



Within Australia: 1300 514 074 Outside Australia: P: +61 (0)8 9338 2344

F: +61 (0)8 9338 2340

sales@galvinengineering.com.au

www.galvinengineering.com.au

ABN: 78 008 719 382

PERTH | SYDNEY | MELBOURNE | BRISBANE | ADELAIDE

