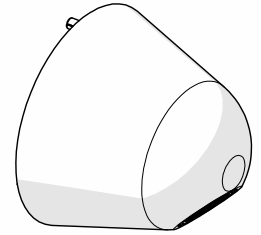


## Safe-Cell® Wall Outlet - NPT



### PRODUCT CODES:

- 40684US

### SPECIFICATIONS

- Safe-Cell® Wall Outlet is designed to minimise the risk of vandalism and self-harm by providing a smooth, angled conical shape body and anti-rotation locating pin.
- The outlet is supplied with a flow regulating aerator that incorporates a swivel to provide 20 degrees of flow direction adjustment.
- Heavy duty chrome plate finish.
- Minimises the risk of hiding contraband.

**IMPORTANT:** All Safe-Cell® Wall outlet taps are tested and leave our premises in good working order.

### TECHNICAL DATA

Inlet	½" NPT – Female	
Outlet	Aerator	
Headwork	N/A	
Working Pressure Range (kPa)	Min	50
	Max	500
Working Temperature Range (°C)	Min	5
	Max	70
Nominal Flow Rate (LPM)	7	
Finish	Chrome	

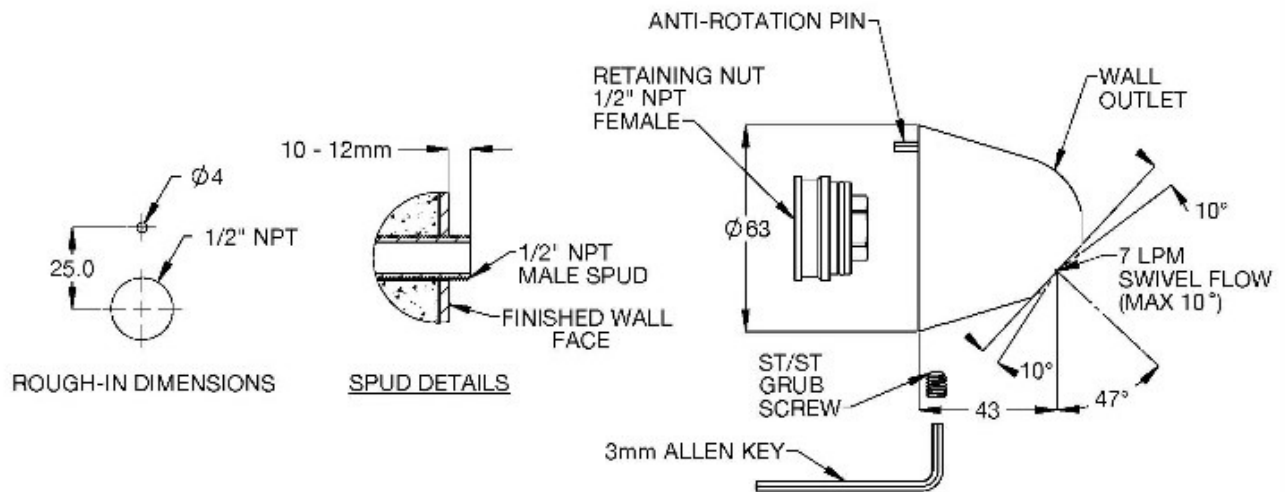
**NOTE:** Galvin Specialised continually strive to improve their products. Specifications may change without notice.

### TOOLS REQUIRED

- Power drill
- Spanner or adjustable crescent
- Thread sealer / tape
- Hex key

**PRE-INSTALLATION - MOUNTING DETAILS**

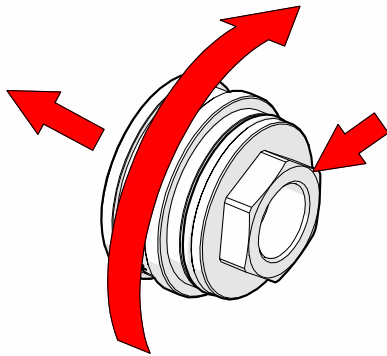
- If the mounting holes do not already exist, mark out and drill the holes as shown in rough-in dimensions.
- Ensure alignment of 4mm hole (minimum 10mm deep) is as shown, as this determines direction of water flow.
- Ensure 1/2" NPT male spud protrudes between 10-12mm from the finished wall face.
- Before installation all lines must be flushed.



**INSTALLATION**

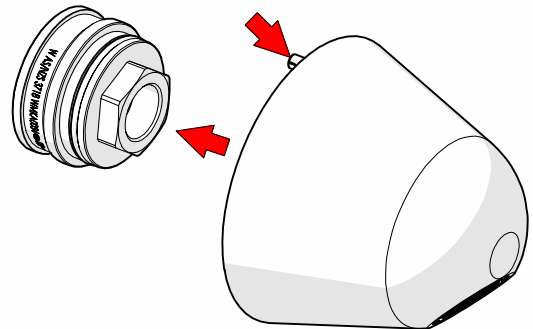
**IMPORTANT:** Galvin Specialised products must be installed in accordance with these installation instructions and your local regulatory requirements. Water and/or electrical supply conditions must also comply to the applicable national and/or state standards. Failing to comply with these provisions shall void the product warranty and may affect the performance of the product.

**IMPORTANT:** Whilst our product designs take into account a broad range of installation types and surfaces, it is important that surfaces which fixtures are mounted to are flat and free from defect. Additionally, ensure any protruding connecting thread is square to the wall so that the outlet sits flat against the wall when installed, ensuring that there are no gaps between the wall and outlet. This is especially important when installing product ranges that have been designed for correctional and health facilities, where special attention is required to minimise ligature points and areas for concealment of contraband. In addition to ensuring the products are fitted securely and in accordance with the following instructions, consideration shall be given to the use of non-pick mastics such as BASF Sonolastic “Ultra” to ensure a high quality and safe installation.



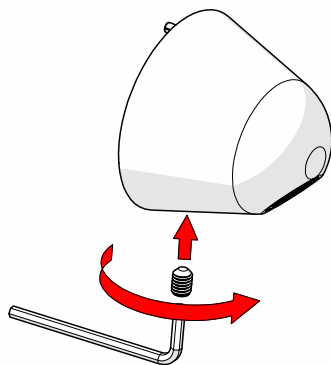
**1. Fit retaining nut**

- Screw the retaining nut on spud until the face is touching the wall. Ensure to use thread sealant/tape.



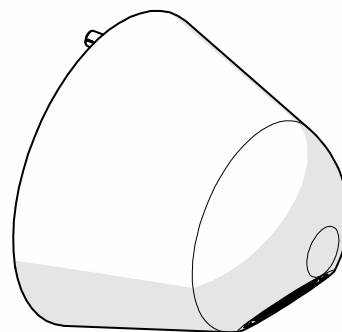
**2. Fit wall outlet**

- Fit wall outlet body onto retaining nut until it touches the wall.
- Ensure anti-rotation pin locates properly.



**3. Fit grub screw**

- Ensure stainless steel grub screw is fitted once wall outlet has been fitted. Take care not to overtighten.



**4. Connect mains supply & testing**

- Connect water supply.
- Turn on water and inspect the tap for any leaks.

TROUBLESHOOTING		
PROBLEM	CAUSE	RECTIFICATION
Water is not flowing or inconsistent flow	Blocked aerator	Remove aerator from outlet and remove debris. Install an inline strainer to stop further blockages.
	Mains supply is turned off	Turn on mains supply
Rate of flow inadequate	The aerator may not be satisfactory due to inadequate supply pressure	Remove aerator and replace with an aerator of different capacity to suit (available from Galvin Specialised on 1300 514 074)
Water leakage from body	O-ring damaged/not sealing	Remove grub screw remove body from retaining nut and check o-ring. if damaged replace with new o-ring.

**WARRANTY**

The warranty set forth herein is given expressly and is the only warranty given by the Galvin Engineering Pty Ltd. With respect to the product, Galvin Engineering Pty Ltd makes no other warranties, express or implied. Galvin Engineering Pty. Ltd. hereby specifically disclaims all other warranties, express or implied, including but not limited to the implied warranties of merchantability and fitness for a particular purpose.

Galvin Engineering Pty Ltd products are covered under our manufacturer’s warranty available for download from [www.galvinengineering.com.au](http://www.galvinengineering.com.au) Galvin Engineering Pty Ltd expressly warrants that the product is free from operational defects in workmanship and materials for the warranty period as shown on the schedule in the manufacturer’s warranty. During the warranty period, Galvin Engineering will replace or repair any defective products manufactured by Galvin Engineering without charge, so long as the terms of the Manufacturer’s warranty are complied with.

The remedy described in the first paragraph of this warranty shall constitute the sole and exclusive remedy for breach of warranty, and Galvin Engineering Pty Ltd shall not be responsible for any incidental, special or consequential damages, including without limitation, lost profits or the cost of repairing or replacing other property which is damaged if this product does not work properly, other costs resulting from labour charges, delays, vandalism, negligence, fouling caused by foreign material, damage from adverse water conditions, chemical, electrical or any other circumstances over which Galvin Engineering has no control. This warranty shall be invalidated by any abuse, misuse, misapplication, improper installation or improper maintenance or alteration of the product.