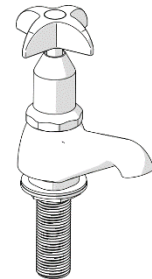




# CP Vandal Resistant ½ Turn Pillar Tap Cold/Hot/Warm

## PRODUCT CODES:

- 49829



## SPECIFICATIONS

- Chrome plate finish for easy cleaning and durability.
- Fitted with flow restrictor.
- Supplied with cold, hot and warm identification buttons.

**IMPORTANT:** All vandal resistant taps are tested in accordance with AS/NZS 3718 and leave our premises in good working order.

## TECHNICAL DATA

Inlet			½" BSP - Male
Outlet			Basin
Headwork			Cam Action
Working Pressure Range (kPa)	Min	50	
	Max	500	
Working Temperature Range (°C)	Min	5	
	Max	60	
Nominal Flow Rate (LPM)			7.85
Finish			Chrome

**NOTE:** Galvin Engineering continually strive to improve their products. Specifications may change without notice.

## PRE-INSTALLATION

- Before installation, all lines must be flushed.
- Galvin Engineering recommends the installation of strainers and pressure reducing valves (when necessary) to ensure clean consistent supply. Debris or poor water quality could affect the performance of the unit.



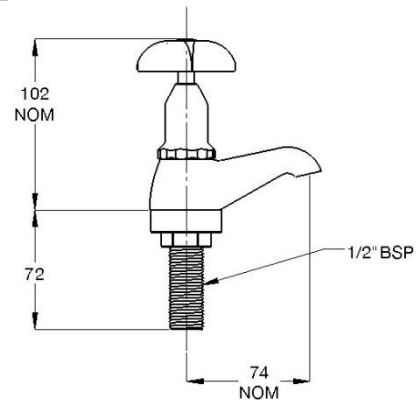
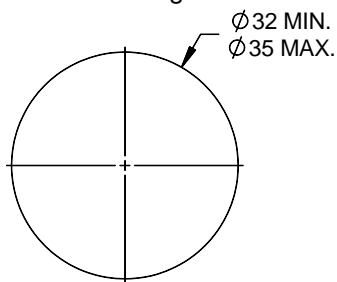


## TOOLS REQUIRED

- Spanner or adjustable crescent
- Thread / sealant tape

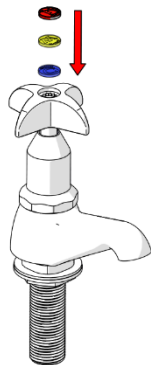
## PRE-INSTALLATION

- If the mounting hole does not already exist, mark out and drill the hole in the bench/trough, as shown in rough-in dimensions.



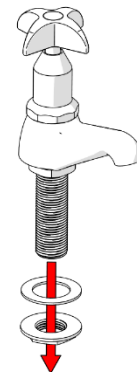
## INSTALLATION

**IMPORTANT:** Galvin Engineering products must be installed in accordance with these installation instructions and in accordance with AS/NZS 3500, the PCA and your local regulatory requirements. Water and/or electrical supply conditions must also comply to the applicable national and/or state standards. Failing to comply with these provisions shall void the product warranty and may affect the performance of the product.



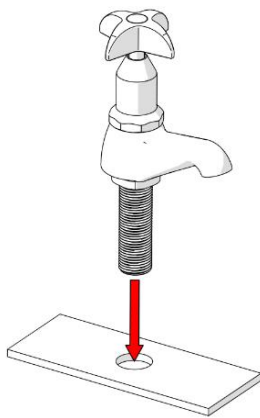
### 1. Fit water temperature indicator

- Fit the appropriate water temperature indicator.



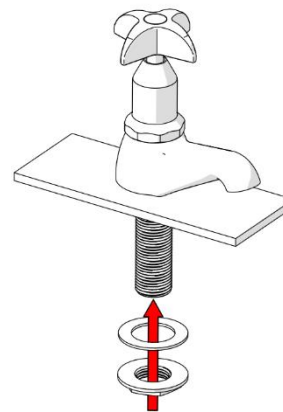
### 2. Disassemble

- Disassemble back nut and washer.



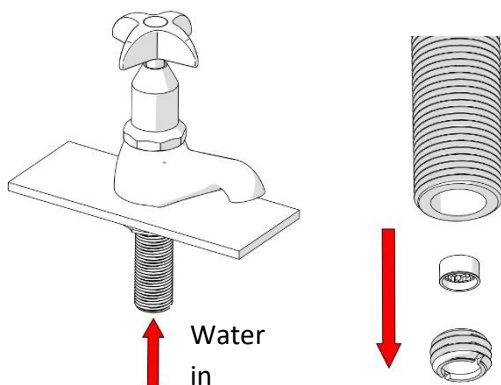
### 3. Fit tap assembly

- Fit the pillar tap into the bench.



### 4. Fit tap assembly

- When applying thread tape or sealant to the inlet, ensure the opening is not obscured. Failure to do so may restrict or block the flow restrictor, affecting the flow of water.
- Secure underneath with the supplied back nut and washer.



### 5. Testing

- Replace flow restrictor if required as shown.
- Major restrictions to the supply pressure (e.g. refrigeration units) may effect the water stream and the flow restrictor may need replacing with a flow restrictor of greater capacity to increase the flow. However, using a different flow restrictor will void the WELS star rating.
- Never operate without a flow restrictor, as this pillar tap will deliver full mains pressure with unrestricted flow.
- Connect the water line, turn on water and check for leaks and correct operation.

<b>TROUBLESHOOTING</b>		
<b>PROBLEM</b>	<b>CAUSE</b>	<b>RECTIFICATION</b>
Water is not flowing or inconsistent flow.	Blocked flow regulator/ dirt in the cartridge / water supply not on.	Remove flow regulator from inlet and remove debris. Install an inline strainer to stop further blockages. Ensure water supply is turned on.
Continuous flow of water.	Top assembly cartridge loose or internally obstructed or damaged.	Remove cartridge, clean with water and re-grease spindle if required.
Rate of flow inadequate.	The flow restrictor may not be satisfactory due to inadequate supply pressure.	Remove flow restrictor and replace with a flow restrictor of different capacity to suit (available from Galvin Specialised).

## **WARRANTY**

The warranty set forth herein is given expressly and is the only warranty given by the Galvin Engineering Pty Ltd. With respect to the product, Galvin Engineering Pty Ltd makes no other warranties, express or implied. Galvin Engineering Pty. Ltd. hereby specifically disclaims all other warranties, express or implied, including but not limited to the implied warranties of merchantability and fitness for a particular purpose.

Galvin Engineering Pty Ltd products are covered under our manufacturer's warranty available for download from [www.galvinengineering.com.au](http://www.galvinengineering.com.au) Galvin Engineering Pty Ltd expressly warrants that the product is free from operational defects in workmanship and materials for the warranty period as shown on the schedule in the manufacturer's warranty. During the warranty period, Galvin Engineering will replace or repair any defective products manufactured by Galvin Engineering without charge, so long as the terms of the Manufacturer's warranty are complied with.

The remedy described in the first paragraph of this warranty shall constitute the sole and exclusive remedy for breach of warranty, and Galvin Engineering Pty Ltd shall not be responsible for any incidental, special or consequential damages, including without limitation, lost profits or the cost of repairing or replacing other property which is damaged if this product does not work properly, other costs resulting from labour charges, delays, vandalism, negligence, fouling caused by foreign material, damage from adverse water conditions, chemical, electrical or any other circumstances over which Galvin Engineering has no control. This warranty shall be invalidated by any abuse, misuse, misapplication, improper installation or improper maintenance or alteration of the product.

