

Ezy-Drink[®] 316 SS Lead Safe[™] Remote Bottle Filler Outlet

PRODUCT CODE:

- 85326X



SPECIFICATIONS

- Lead safe stainless-steel construction

IMPORTANT: All Ezy-Drink[®] Bottle Fillers are tested in accordance with AS/NZS 3718 and leave our premises in good working order.

WARNINGS: Special attentions to be paid on notes, photos, images, or drawings of assembly steps marked with the warning symbol.



TECHNICAL DATA

Inlet	½" BSP	
Outlet	Gooseneck	
Headwork	N/A	
Working Pressure Range (kPa)	Min	50
	Max	500
Working Temperature Range (°C)	Min	5
	Max	50
Nominal Flow Rate (LPM)	N/A	
Finish	Stainless Steel	

NOTE: Galvin Engineering continually strive to improve their products. Specifications may change without notice.

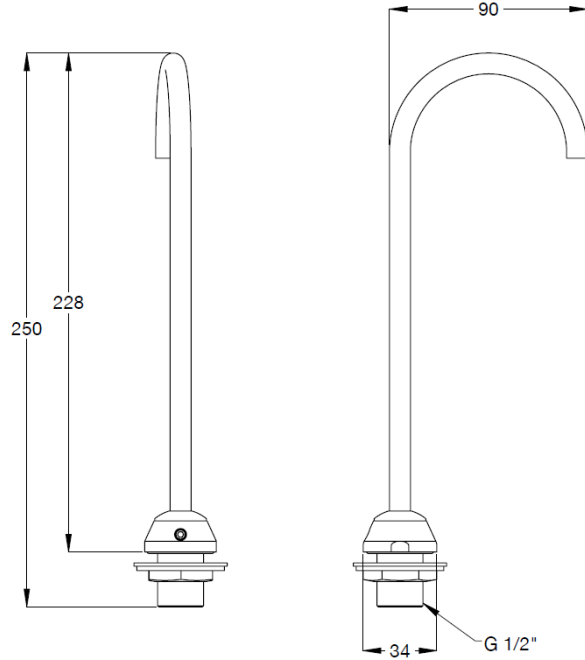
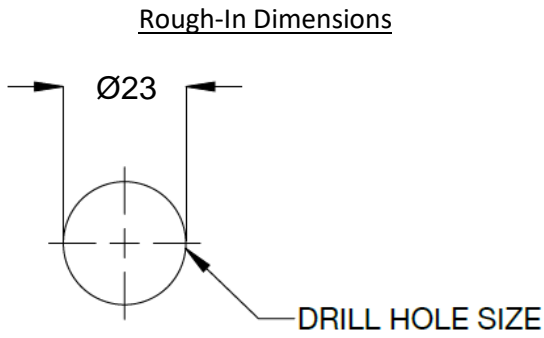
TOOLS REQUIRED

- Power drill
- Wrench
- 2mm Hex Key

PRE-INSTALLATION - MOUNTING DETAILS

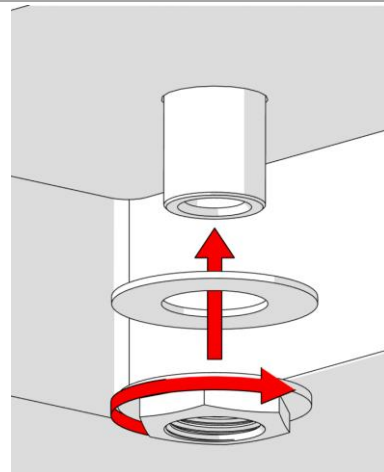
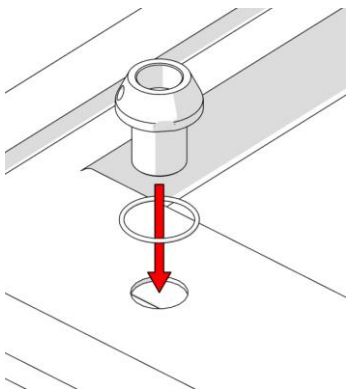
- If the mounting holes do not already exist, mark out and drill the holes in the bench/trough, as shown in rough-in dimensions.

! *Note: Before installation, all lines must be flushed. We recommend that a line strainer be installed prior to the jug filler to eliminate any foreign material.*



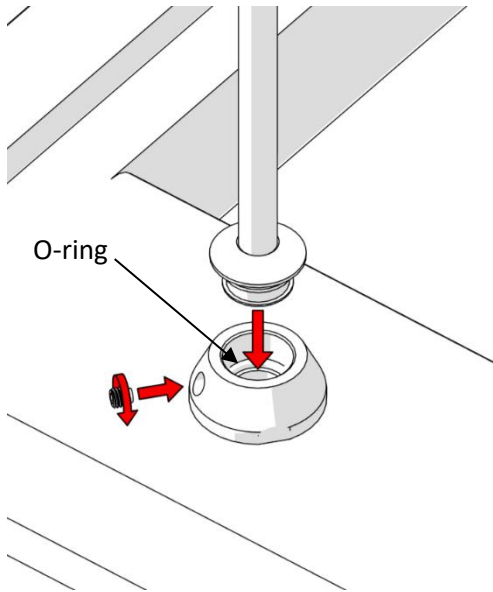
INSTALLATION

INSTALLATION COMPLIANCE: Galvin Engineering products must be installed in accordance with these installation instructions and in accordance with AS/NZS 3500, the PCA and your local regulatory requirements. Water and/or electrical supply conditions must also comply to the applicable national and/or state standards. Failing to comply with these provisions shall void the product warranty and may affect the performance of the product.



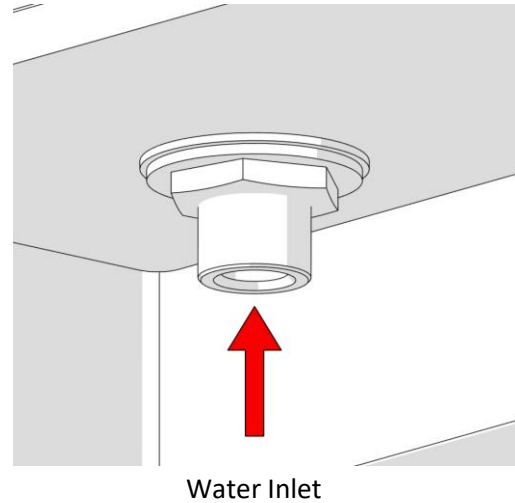
1. Mounting Stem

- Drill hole in bench/trough as shown in rough-in dimensions.
- Fit O-Ring to the groove underneath the stem.
- Insert stem through the drilled hole ensuring the O-Ring has seated properly.



2. Fit

- Fit rubber washer, back nut and tighten.



3. Fit Filler Outlet

- Fit filler outlet into stem ensuring it is seated correctly and the O-ring is present.
- Turn the filler outlet to the desired position.
- Once positioned, fit and tighten grub screw. The filler outlet should no longer turn.

4. Connect Water

- Connect mains water.



5. Test

- Test installation and check for leaks.

TROUBLESHOOTING		
PROBLEM	CAUSE	RECTIFICATION
Water is not flowing from jug filler	Water is turned off	Turn on water
Installation is leaking	Incorrectly installed	Disassemble and follow the installation instructions above ensuring the O-Rings are positioned correctly.

WARRANTY

The warranty set forth herein is given expressly and is the only warranty given by the Galvin Engineering Pty Ltd. With respect to the product, Galvin Engineering Pty Ltd makes no other warranties, express or implied. Galvin Engineering Pty. Ltd. hereby specifically disclaims all other warranties, express or implied, including but not limited to the implied warranties of merchantability and fitness for a particular purpose.

Galvin Engineering Pty Ltd products are covered under our manufacturer's warranty available for download from www.galvinengineering.com.au Galvin Engineering Pty Ltd expressly warrants that the product is free from operational defects in workmanship and materials for the warranty period as shown on the schedule in the manufacturer's warranty. During the warranty period, Galvin Engineering will replace or repair any defective products manufactured by Galvin Engineering without charge, so long as the terms of the Manufacturer's warranty are complied with.

The remedy described in the first paragraph of this warranty shall constitute the sole and exclusive remedy for breach of warranty, and Galvin Engineering Pty Ltd shall not be responsible for any incidental, special or consequential damages, including without limitation, lost profits or the cost of repairing or replacing other property which is damaged if this product does not work properly, other costs resulting from labour charges, delays, vandalism, negligence, fouling caused by foreign material, damage from adverse water conditions, chemical, electrical or any other circumstances over which Galvin Engineering has no control. This warranty shall be invalidated by any abuse, misuse, misapplication, improper installation or improper maintenance or alteration of the product.