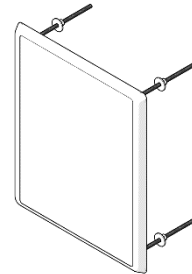


# Wallgate<sup>®</sup> Anti-Ligature, Anti-Vandal Polycarbonate Mirror with Solid Surface Surround

## PRODUCT CODES:

- ALM-08W



## SPECIFICATIONS

- Anti-ligature, extremely robust polycarbonate mirrors with solid surface surrounds. The single piece surrounds encapsulate a tough, high grade scratch-resistant polycarbonate mirror.

## TECHNICAL DATA

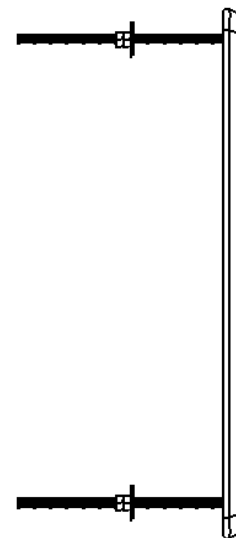
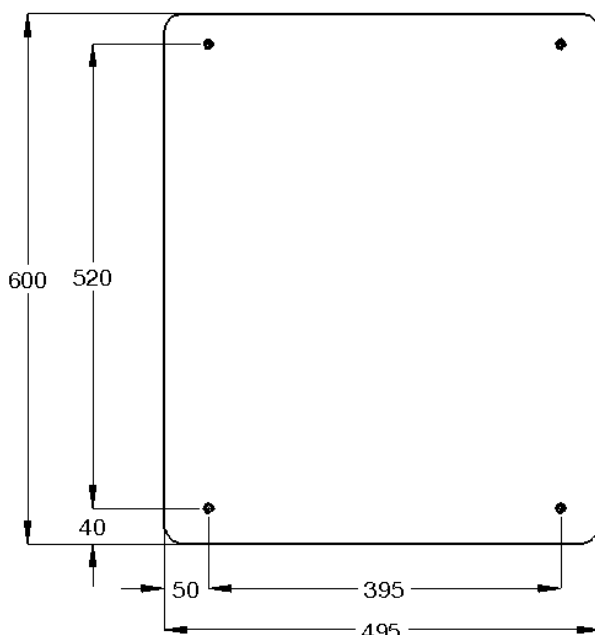
<b>Fixings:</b>	Basin fixing studs, fixing washers and basin lock nuts are supplied
<b>Material:</b>	Hard Polyester Solid Surface Plaskolite Polycarbonate Mirrored sheet with Armadillo Scratch Resistant Coating
<b>Finish:</b>	Silk – Gloss Polish

**NOTE:** Galvin Specialised continually strive to improve their products. Specifications may change without notice.

## MOUNTING DETAILS

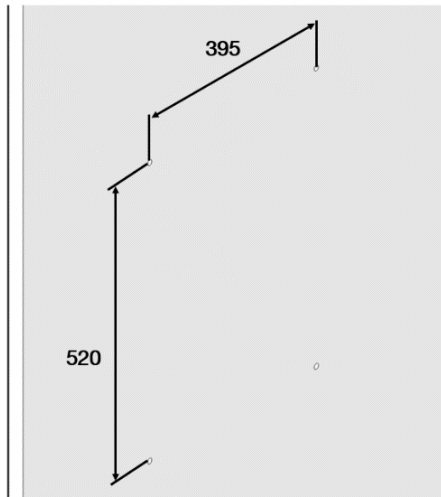
**⚠ Warning:** The mirror must be installed onto a flat surface. Tightening against a non flat surface may result in damage to the solid surface casting. Do not remove the protective plastic film on the mirror until all the building work is complete to avoid accidental damage.

ALM-08W



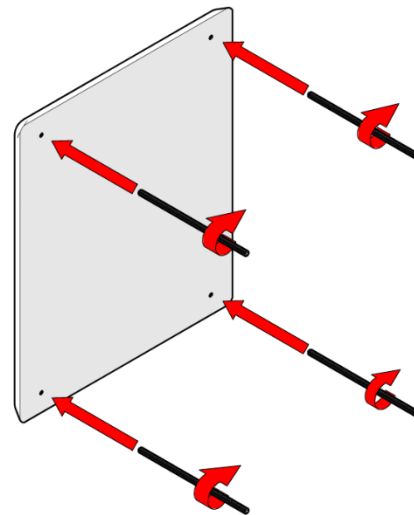


**INSTALLATION**



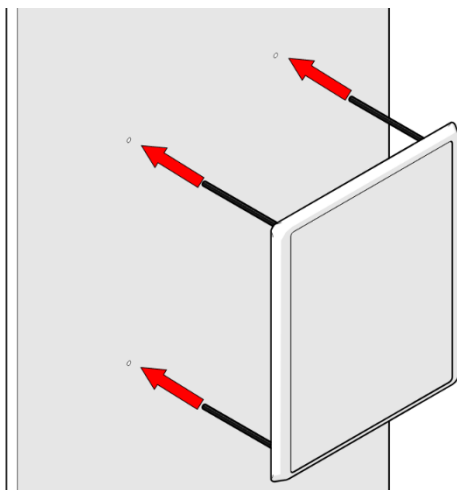
**1. Drill attachment holes**

- Drill  $\varnothing 15$  mm holes in the wall to suit the M10 fixing studs. The positions are marked in the figure above.



**2. Insert studs to the mirror**

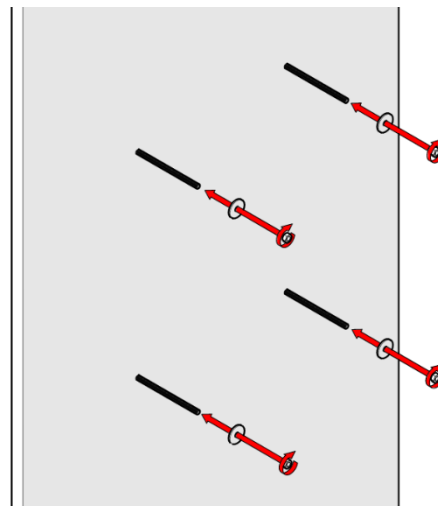
- Fit the four M10 fixing studs to the threaded inserts on the back of the mirror and hand tighten.



**3. Attach studs into wall holes**

- Lift the mirror into place passing the studs through the holes in the wall and ensure the mirror sits flat.

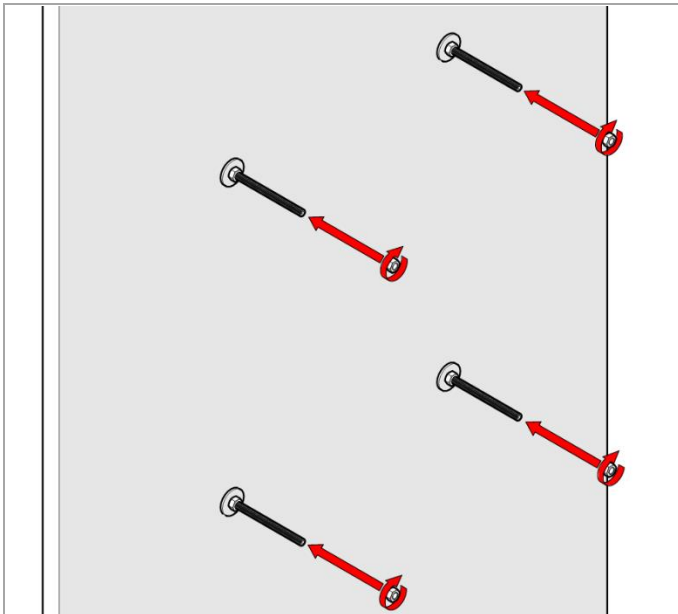
**Note: The mirror weight is 10 kg. Always use safe lifting procedures when lifting heavy loads.**



**4. Attach washer and nuts**

- Place a washer and M10 nut onto each stud and tighten, ensuring the mirror sits level. (Tighten each nut to 10Nm)





**5. Attach a second lock nut and apply anti-pick mastic**

- Fit a second lock nut on each stud and tighten to 10Nm against the first nut holding that nut with a spanner to ensure it does not tighten beyond the torque it has already been tightened to.
- Apply anti-pick mastic around the 5mm flat on the perimeter edge of the mirror and profile to follow the angle of the mirror.

**Note: A hard set anti-pick mastic should be used, such as Sikadur 33.**



## MAINTENANCE INSTRUCTIONS

### Washing

- Use non-abrasive cloth moistened with soapy water to wipe the surface of the Polycarbonate mirror and frame. Use a light pressure, avoiding the edges of the sheet.
- Do not use window-cleaning sprays, kitchen scouring compounds or other chemicals to clean the mirrored sheets.
- Replacement Polycarbonate mirrors are available, contact *Galvin Specialised* sales for part numbers.

### Polishing

- A surface gloss can be maintained by occasionally using a flannel cloth and a good plastic cleanser or polish, such as Johnson's Pledge. Follow the instructions for polishing on the container.

### Removing Scratches

- Fine scratches can be removed by hand polishing with a plastic scratch remover or compound cleaner. Remove all residue and polish with a flannel cloth. Deep scratches need to be lightly sanded using a 400 grit "wet or dry" sandpaper.

**Note: Refer to Wallgate cleaning and maintenance for daily cleaning and restoration of the solid surface mirror shelf casting. Take care when cleaning the Polycarbonate Mirror surface as the use of incorrect cleaning fluids can cause irreparable damage.**

## WARRANTY

The warranty set forth herein is given expressly and is the only warranty given by the Galvin Engineering Pty Ltd. With respect to the product, Galvin Engineering Pty Ltd makes no other warranties, express or implied. Galvin Engineering Pty. Ltd. hereby specifically disclaims all other warranties, express or implied, including but not limited to the implied warranties of merchantability and fitness for a particular purpose.

Galvin Engineering Pty Ltd products are covered under our manufacturer's warranty available for download from [www.galvinengineering.com.au](http://www.galvinengineering.com.au) Galvin Engineering Pty Ltd expressly warrants that the product is free from operational defects in workmanship and materials for the warranty period as shown on the schedule in the manufacturer's warranty. During the warranty period, Galvin Engineering will replace or repair any defective products manufactured by Galvin Engineering without charge, so long as the terms of the Manufacturer's warranty are complied with.

The remedy described in the first paragraph of this warranty shall constitute the sole and exclusive remedy for breach of warranty, and Galvin Engineering Pty Ltd shall not be responsible for any incidental, special or consequential damages, including without limitation, lost profits or the cost of repairing or replacing other property which is damaged if this product does not work properly, other costs resulting from labour charges, delays, vandalism, negligence, fouling caused by foreign material, damage from adverse water conditions, chemical, electrical or any other circumstances over which Galvin Engineering has no control. This warranty shall be invalidated by any abuse, misuse, misapplication, improper installation or improper maintenance or alteration of the product.

