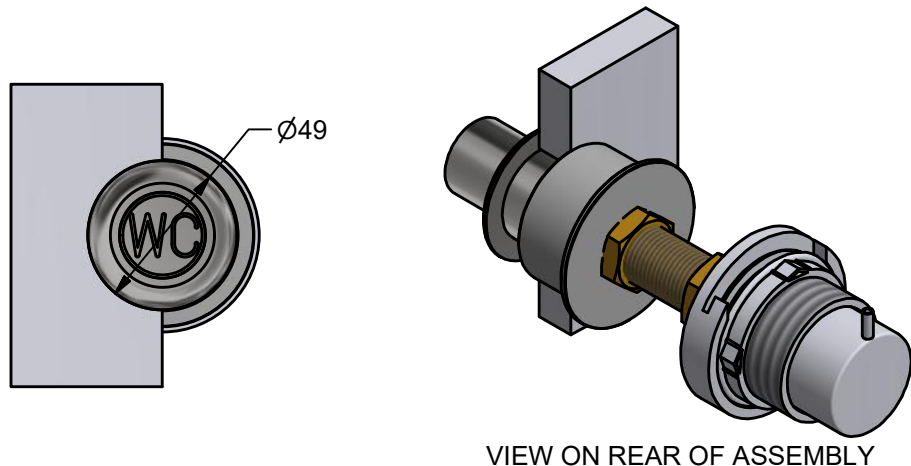
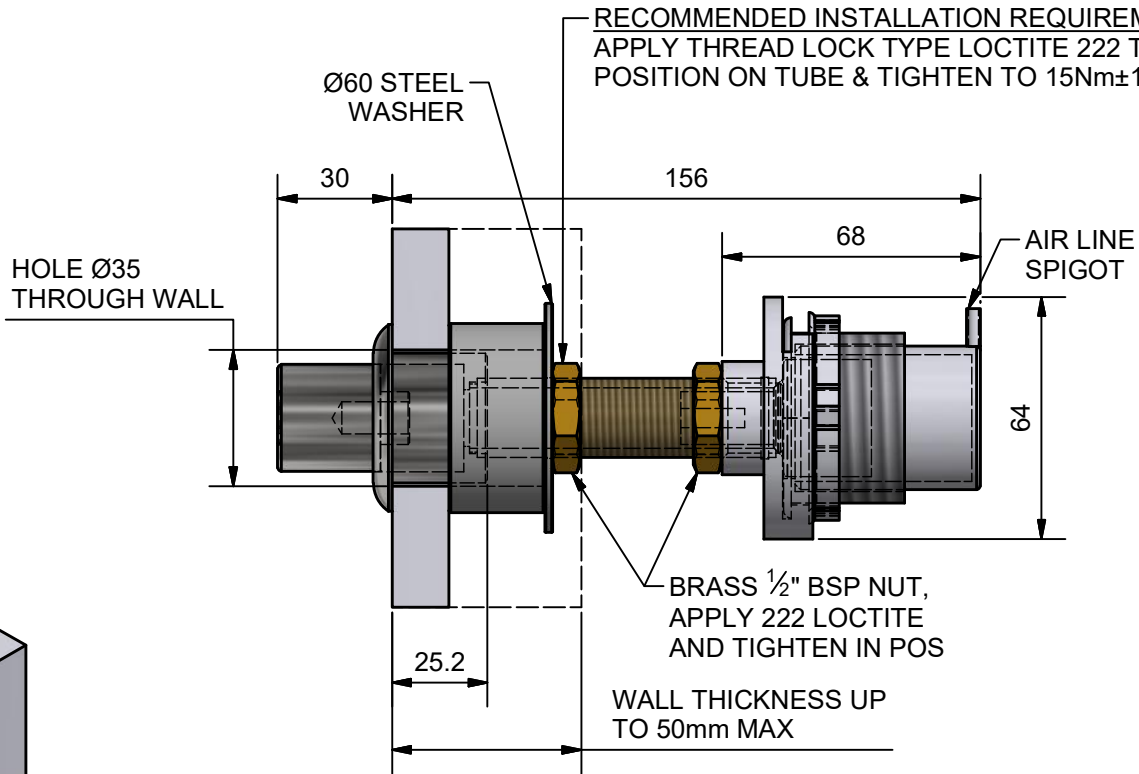


REVISION HISTORY				
REV	DATE	DESCRIPTION	BY	CHKD
1	15/08/2017	CREATED	PH	RD

RECOMMENDED INSTALLATION REQUIREMENTS:  
 APPLY THREAD LOCK TYPE LOCTITE 222 TO 1/2" NUT  
 POSITION ON TUBE & TIGHTEN TO 15Nm±1 ON WALL



**Notes:**  
 1. The air pump & adaptor are not supplied with the CIPB14 palm push button, they are supplied with the cistern CIST19-PNEU-2. They are shown here to demonstrate the overall dimensions when assembled with the push button.

© 2017 Copyright THIS DRAWING IS THE PROPERTY OF WALLGATE LIMITED AND IS ISSUED ON THE STRICT UNDERSTANDING THAT THE INFORMATION CONTAINED WILL NOT BE REPRODUCED, COPIED OR USED WITHOUT PRIOR AGREEMENT OF WALLGATE LTD.



**TITLE:** WC PALM PUSH BUTTON & AIR PUMP DIMENSIONAL DETAIL

**Drg No:** CIPB14-PUMP-DIM

Model/Client/Project:

**MATERIAL:**

**FINISH:**

Limits: (unless stated)  
 ± 0.25mm (sheetmetal)  
 ± 0.10mm (machined)  
 ± 2.00mm (pattern)  
 ± 5.00mm (moulded)

All dimensions in mm,  
 All angles 90° (unless stated)

**SCALE:**

**A4** 3rd