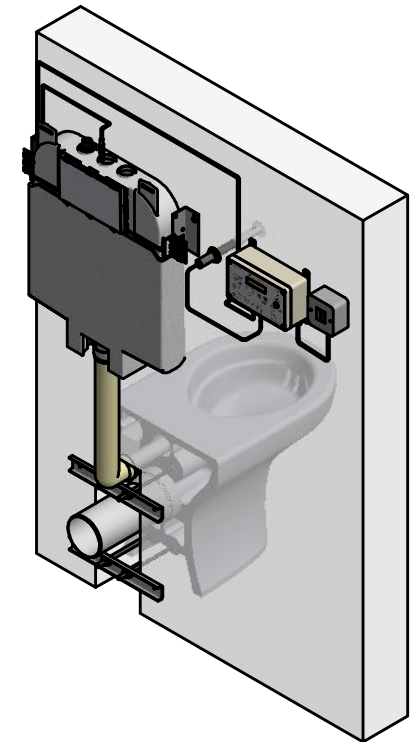
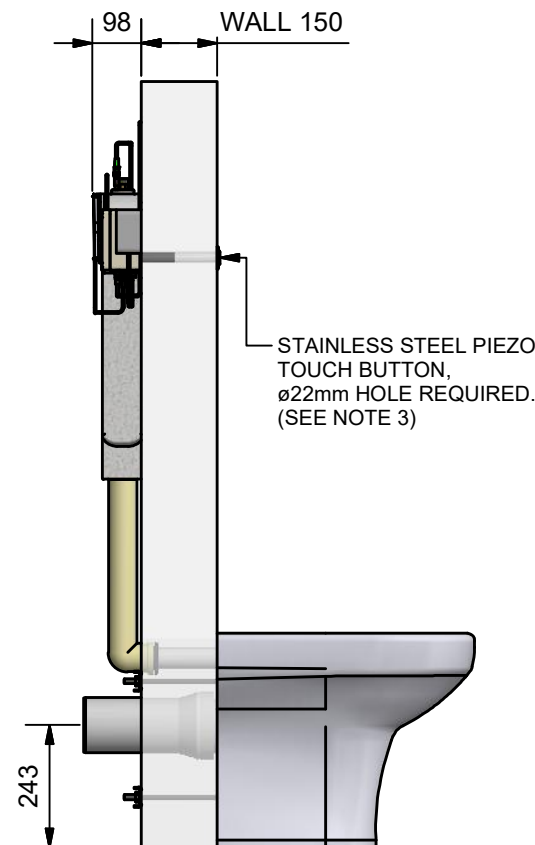
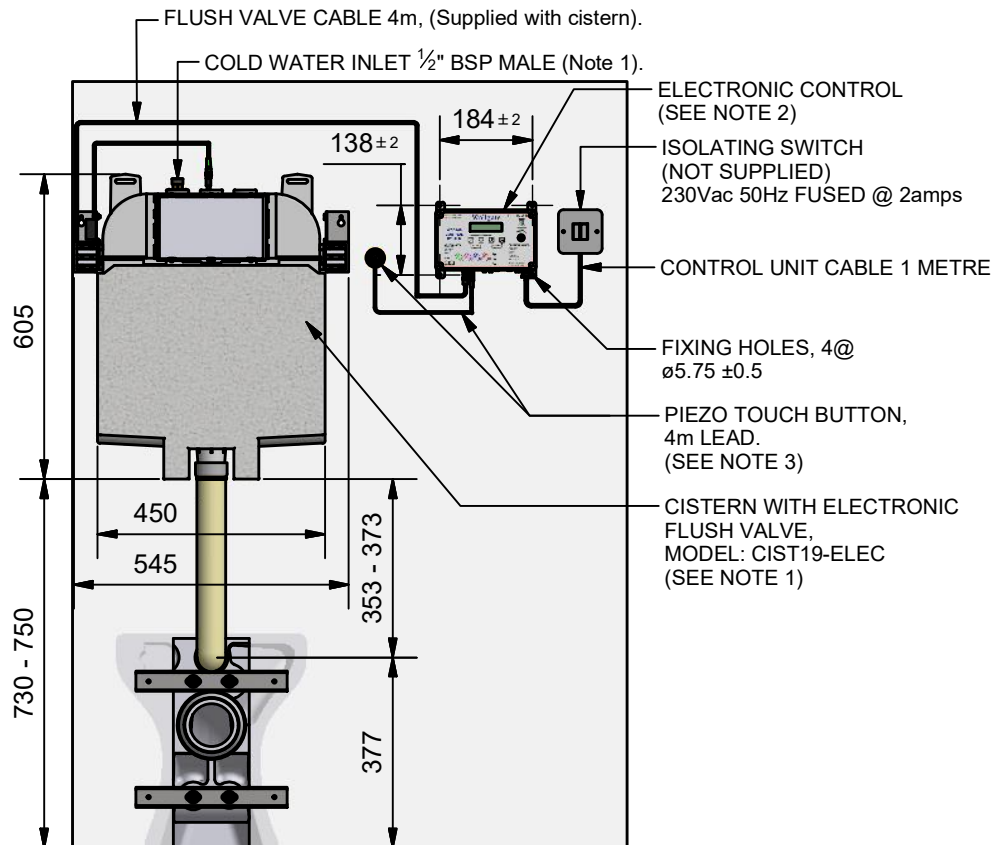


**IMPORTANT NOTES:**

1. The cistern shown is the CIST19-ELEC model & is sold separately. The dimensions shown for the cistern installation height are recommended for the reliable functioning of the CWC flush system. Full dimensions of the cistern shown can be found on drawing CIST19-ELEC. The vertical flush pipe has an adjustable fit to the cistern connector which allows 20mm max adjustment to the height. The 500mm long horizontal flush pipe can be cut to length as required. A cold water supply with a dynamic pressure of 0.1 to 14Bar (10 - 1400kPa) is required. The cistern includes a 4m length cable for connection to the electronic control unit (see note 2).
2. The electronic control units are sold separately, contact Wallgate sales office for available options. (Model shown is WDC100). An electrical supply connection (230VAC 50Hz) is required as shown local to the control unit.
3. Touch buttons (or Infra-red sensors) are ordered separately & there are model options to suit the wall thickness. The touch button can be positioned as preferred but consideration should be given to ensure it is easily accessible for the user. Contact Wallgate sales office for available options.
4. A suitable WC connector to fit the 108mmØ pan spigot. The connector shown here is an optional extra (P/No WCCON01).

**REVISION HISTORY**

REV	DATE	DESCRIPTION	BY	CHKD
1	28/10/2016	CREATED	PH	DB



© 2016 Copyright THIS DRAWING IS THE PROPERTY OF WALLGATE LIMITED AND IS ISSUED ON THE STRICT UNDERSTANDING THAT THE INFORMATION CONTAINED WILL NOT BE REPRODUCED, COPIED OR USED WITHOUT PRIOR AGREEMENT OF WALLGATE LTD.



**TITLE:** CWC-150 TYPICAL INSTALLATION WITH CIST19-ELEC & WDC100

**Drg No:** INS-CWC-150-CIST19-ELEC

Model/Client/Project: SHEET 1 OF 2

**MATERIAL:**

**FINISH:**

Limits: (unless stated)  
 ± 0.25mm (sheetmetal)  
 ± 0.10mm (machined)  
 ± 2.00mm (pattern)  
 ± 5.00mm (moulded)

All dimensions in mm, All angles 90° (unless stated)

**SCALE:** NTS

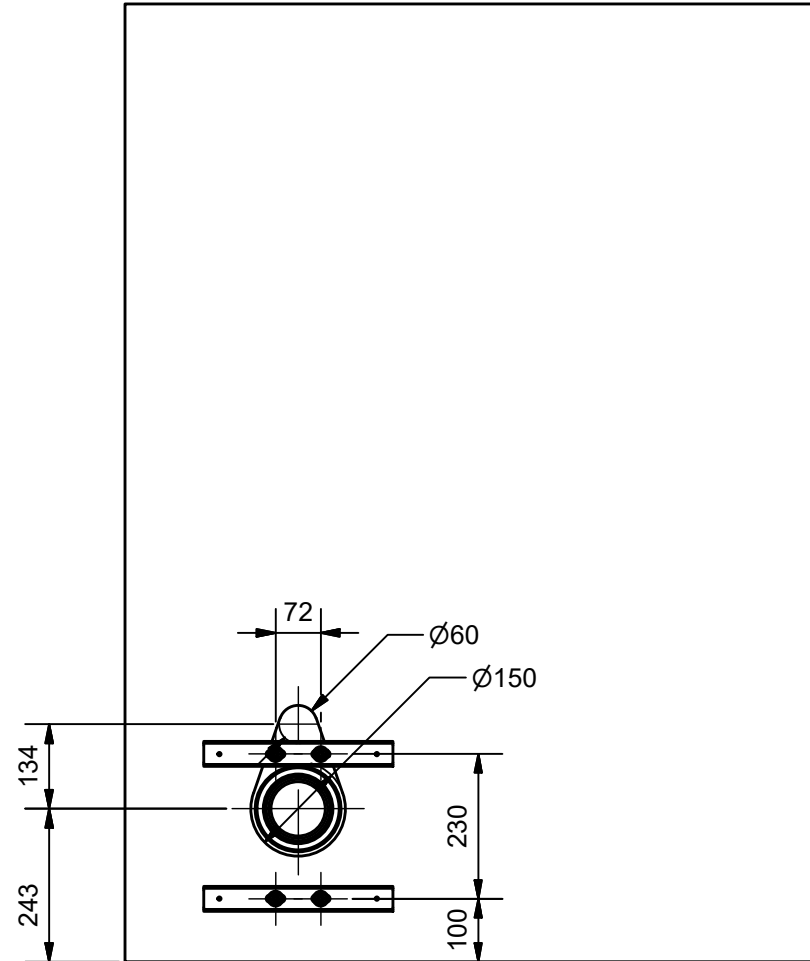
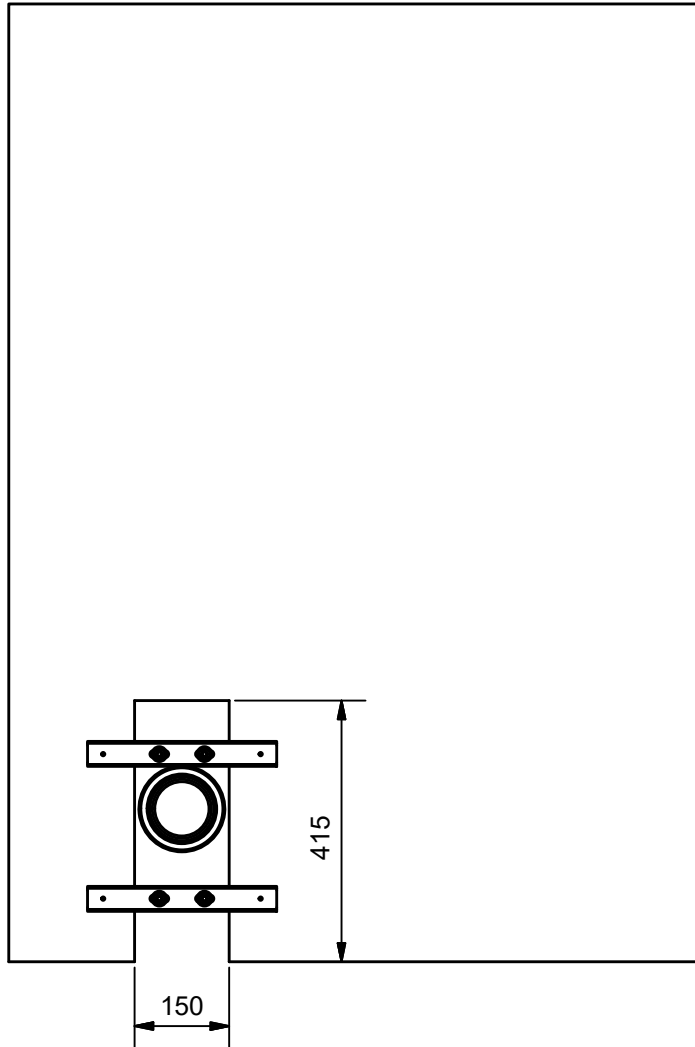
**A4** 3rd

**NOTES:**

1. THIS DRAWINGS SHOWS TWO SUGGESTED CUT OUTS THROUGH THE WALL FOR INSTALLATION OF THE WC. EITHER A RECTANGULAR CUT OUT OR A "TEARDROP" CUT OUT CAN BE USED.

**REVISION HISTORY**

REV	DATE	DESCRIPTION	BY	CHKD
1	28/10/2016	CREATED	PH	DB



© 2016 Copyright THIS DRAWING IS THE PROPERTY OF WALLGATE LIMITED AND IS ISSUED ON THE STRICT UNDERSTANDING THAT THE INFORMATION CONTAINED WILL NOT BE REPRODUCED, COPIED OR USED WITHOUT PRIOR AGREEMENT OF WALLGATE LTD.



**TITLE:** CWC-150 TYPICAL INSTALLATION WITH CIST19-ELEC & WDC100

**Drg No:** INS-CWC-150-CIST19-ELEC

Model/Client/Project: SHEET 2 OF 2

**MATERIAL:**

**FINISH:**

Limits: (unless stated)  
 ± 0.25mm (sheetmetal)  
 ± 0.10mm (machined)  
 ± 2.00mm (pattern)  
 ± 5.00mm (moulded)

All dimensions in mm,  
 All angles 90° (unless stated)

**SCALE:** NTS

**A4** 3rd