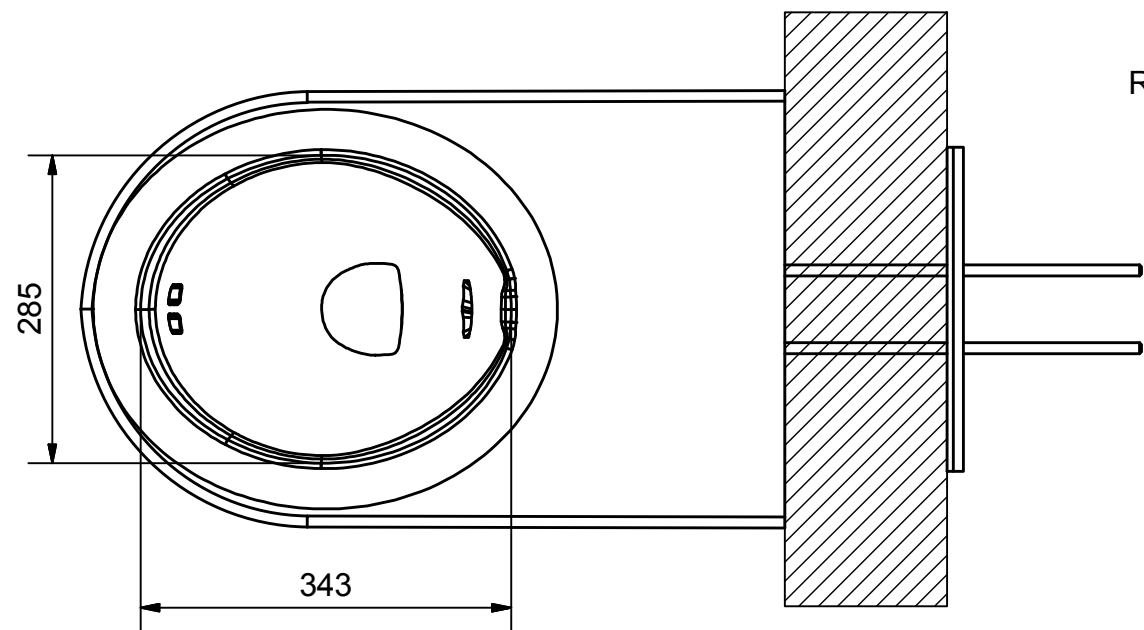
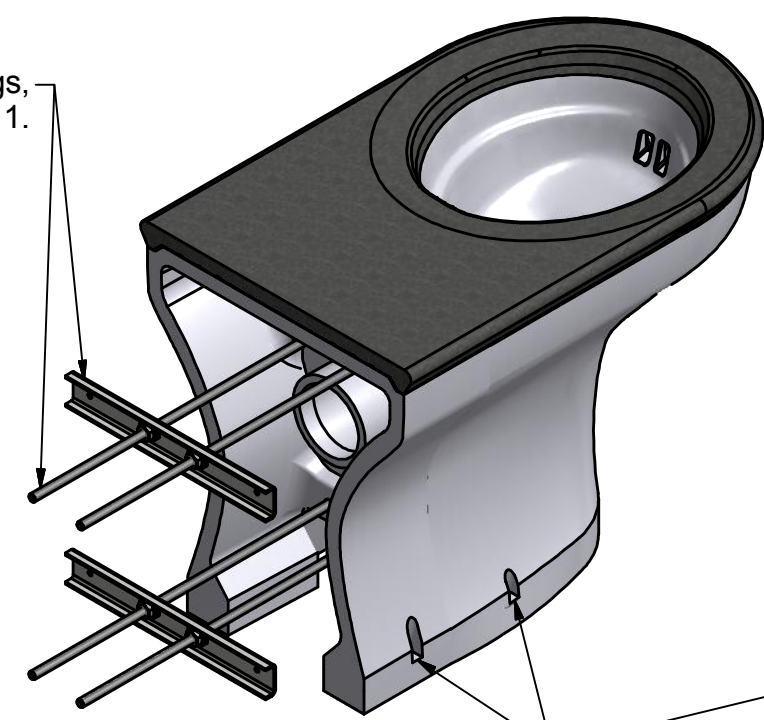


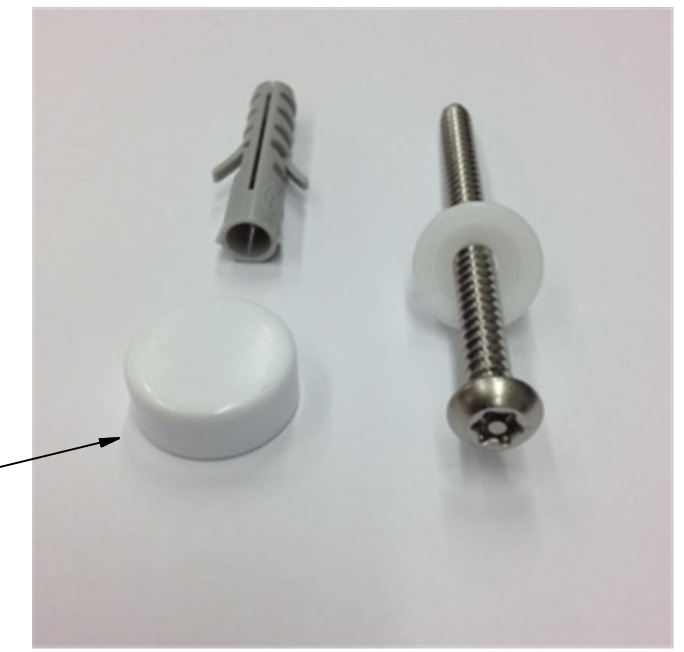
REVISION HISTORY				
REV	DATE	DESCRIPTION	BY	CHKD
3	24/05/2016	Wall fixing note updated.	DB	DB



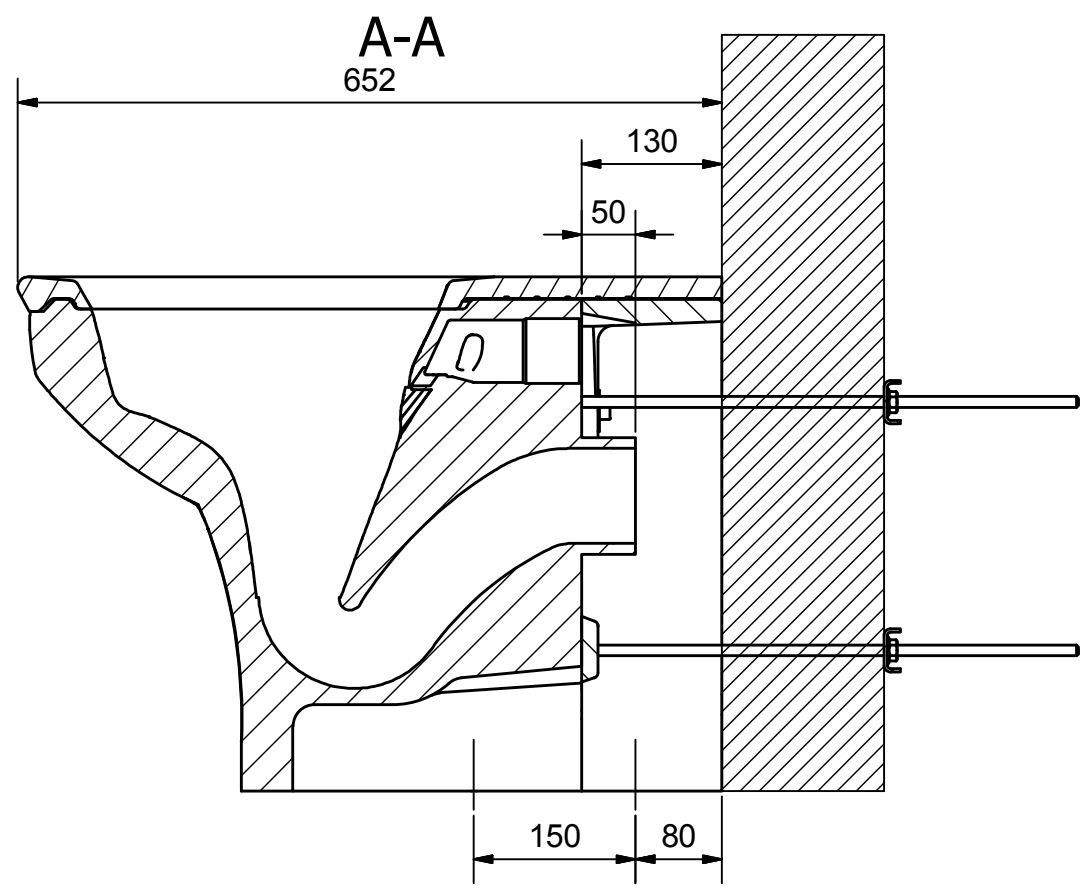
Wall fixings,
Refer to note 1.



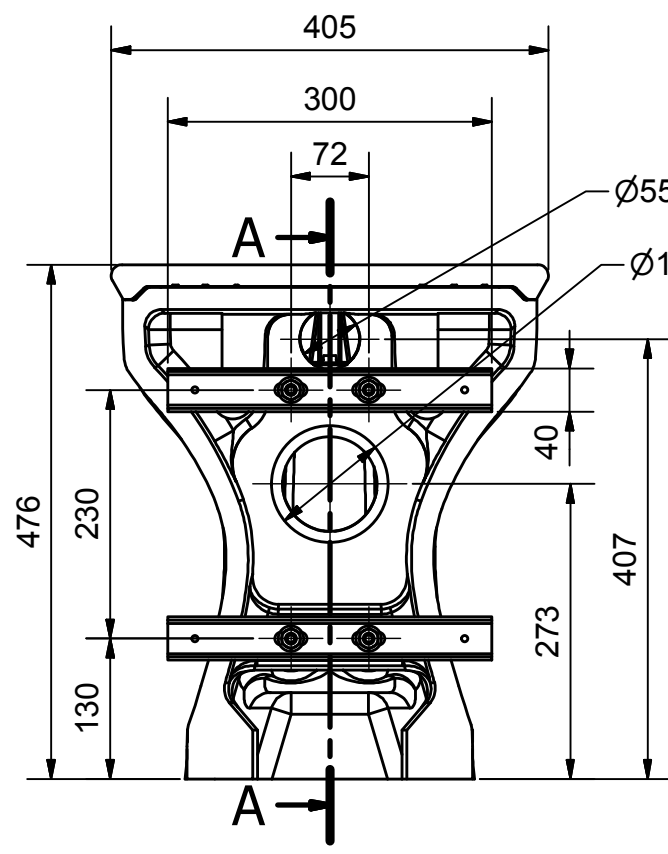
FLOOR FIXINGS SUPPLIED:
S/STEEL PIN TORX BUTTON HEAD SCREW
12G x 3" WITH RAWL PLUG & CAP



Floor fixings.
Refer to note 1.



Floor fixing positions.
2 per side.



Ø55⁺³₋₁ FLUSH INLET
Ø108 WASTE SPIGOT

Notes:

1. Fasteners are provided for wall & floor fixing. Maximum installation strength will be achieved by fixing the pan to the wall & floor. Wall fixings include 4 off M10 x 500mm long threaded studs with nuts and washers & 2 off clamp brackets. Floor fixings include 4 off Torx security pin screws 12G x 3" & rawl plugs and screw caps.
2. An anti pick hard set mastic such as rbokol 1025 or Sikadur 33 should be applied to the rear & bottom edges edges of the pan to seal it to the wall & floor.
3. Refer to sheet 2 for waste connection options.

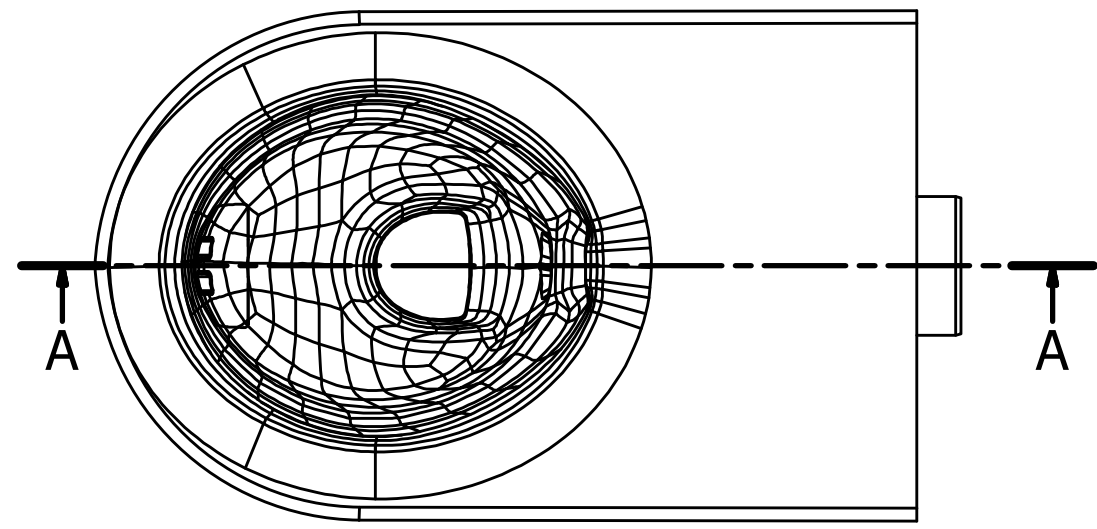
© 2015 Copyright THIS DRAWING IS THE PROPERTY OF WALLGATE LIMITED AND IS ISSUED ON THE STRICT UNDERSTANDING THAT THE INFORMATION CONTAINED WILL NOT BE REPRODUCED, COPIED OR USED WITHOUT PRIOR AGREEMENT OF WALLGATE LTD.

<p>ROBUST. INNOVATIVE. WASHROOMS</p>	TITLE: ANTI LIGATURE PAN AND SEAT WITH FIXED EXTENSION Drg No: CWC-156-AST-AMBAUS Model/Client/Project: SHEET 1	MATERIAL: POLYESTER SOLID SURFACE FINISH: SATIN POLISH	Limits: (unless stated) ± 0.25mm (sheetmetal) ± 0.10mm (machined) ± 2.00mm (pattern) ± 5.00mm (moulded)	All dimensions in mm, All angles 90° (unless stated) Scale: NTS A3
	t: +44 (0) 1722 744 694 f: +44 (0) 1722 742 096 e: sales@wallgate.com w: www.wallgate.com Company Reg No. 156022			3rd

REVISION HISTORY				
REV	DATE	DESCRIPTION	BY	CHKD
3	24/05/2016	Wall fixing note updated.	DB	DB

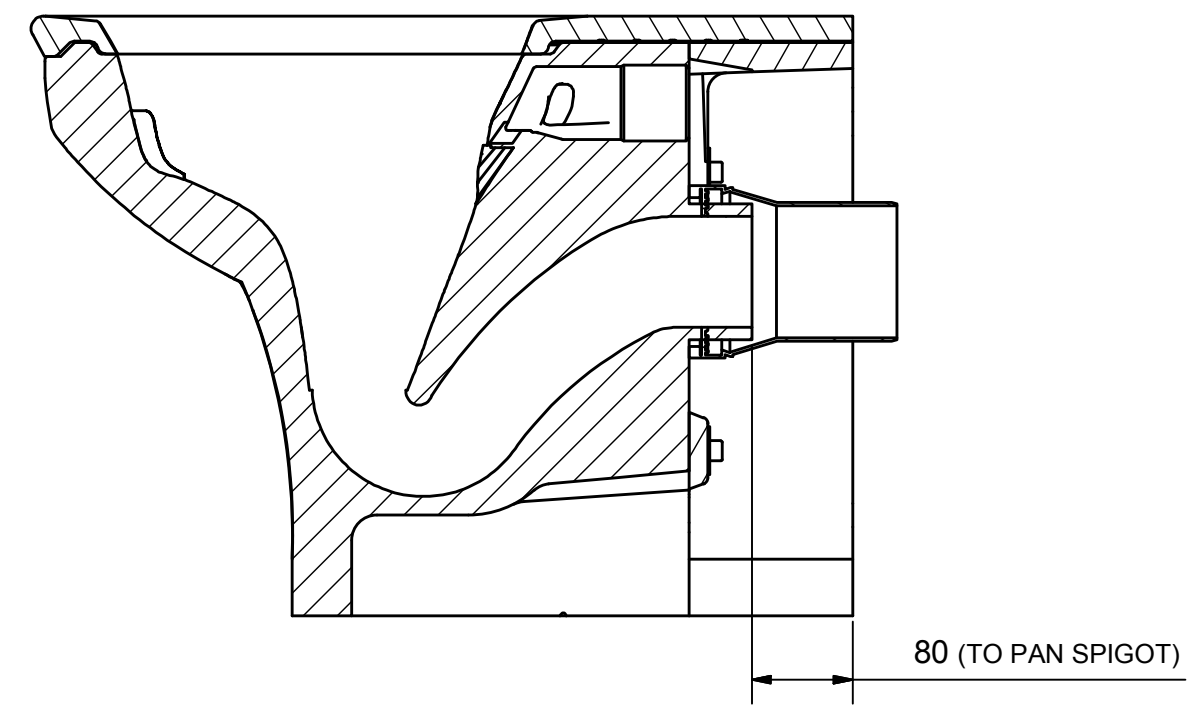
NOTES:

1. A STRAIGHT WC CONNECTOR OPTION WOULD BE PLASTEC 11405.



WC PAN CONNECTORS FOR WASTE ARE NOT INCLUDED, SHOWN FOR ILLUSTRATIVE PURPOSES ONLY.

A-A



© 2015 Copyright THIS DRAWING IS THE PROPERTY OF WALLGATE LIMITED AND IS ISSUED ON THE STRICT UNDERSTANDING THAT THE INFORMATION CONTAINED WILL NOT BE REPRODUCED, COPIED OR USED WITHOUT PRIOR AGREEMENT OF WALLGATE LTD.



TITLE: WASTE CONNECTOR OPTIONS
Drg No: CWC-156-AST-AMBAUS
 Model/Client/Project: SHEET 2

MATERIAL: POLYESTER SOLID SURFACE
FINISH: SATIN POLISH

Limits: (unless stated)
 ± 0.25mm (sheetmetal)
 ± 0.10mm (machined)
 ± 2.00mm (pattern)
 ± 5.00mm (moulded)

All dimensions in mm,
 All angles 90° (unless stated)

Scale: NTS
A3 3rd