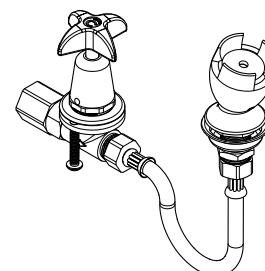




Ezy-Drink[®] Remote Bubbler Tapware

PRODUCT CODES:

- TD15C
- TD15P



SPECIFICATIONS

- Drinking taps are designed to operate at full mains pressure.
- The rubber mouthguard is resistant to fungal and bacterial attack and has a high resistance to sunlight.
- Vandal resistant handle.
- Adjustable built-in flow restrictor.

IMPORTANT: All Ezy-Drink[®] remote bubbler taps are tested in accordance with AS/NZS 3718 and leave our premises in good working order.

TECHNICAL DATA

Inlet	½: BSP - Female	
Outlet	Rubber mouthguard	
Headwork	Cam action	
Working Pressure Range (kPa)	Min	50
	Max	500
Working Temperature Range (°C)	Min	5
	Max	60
Nominal Flow Rate (LPM)	2	
Finish	Chrome	

NOTE: Galvin Specialised continually strive to improve their products. Specifications may change without notice.

TOOLS REQUIRED

- Power drill
- Spanner or adjustable crescent
- Screw driver

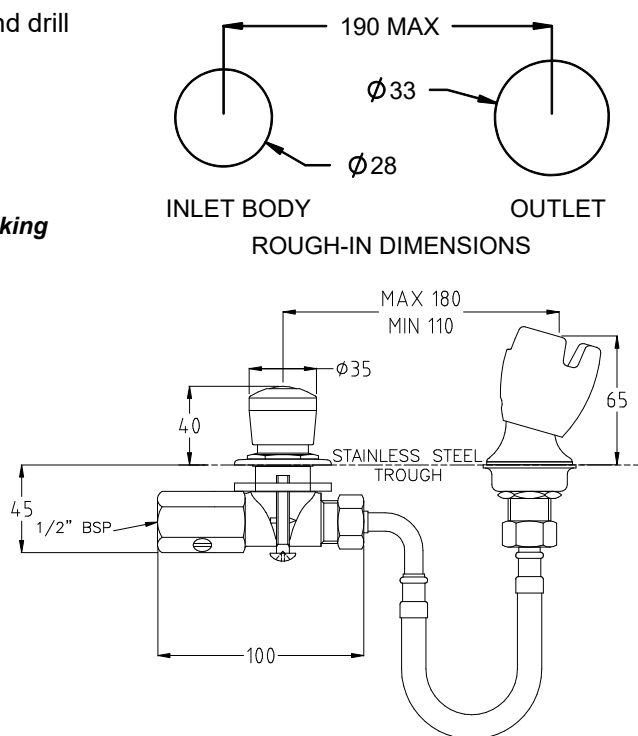
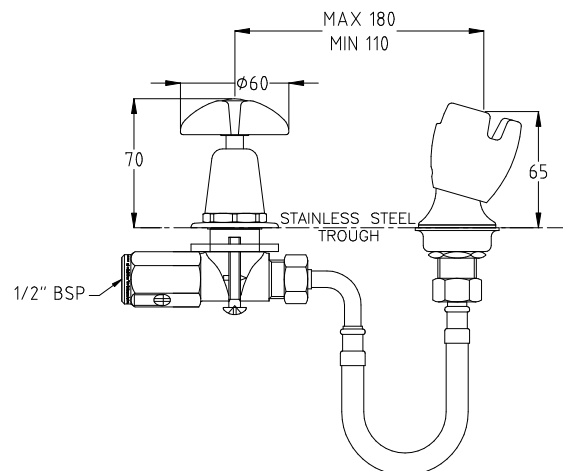


PRE-INSTALLATION - MOUNTING DETAILS

- If the mounting holes do not already exist, mark out and drill the holes in the bench/trough, as shown in rough-in dimensions.

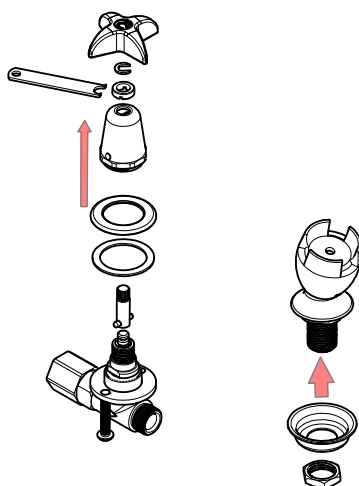
*Note: Supplied flexi hose length is 225mm long.
Maximum distance between outlet and handle is 190mm.*

**Note: Before installation, all lines must be flushed.
We recommend that a line strainer be installed prior to drinking taps to eliminate any foreign material.**



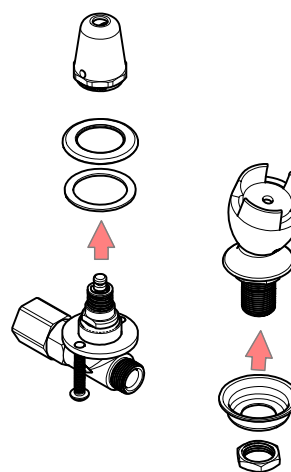
INSTALLATION

IMPORTANT: Galvin Specialised products must be installed in accordance with these installation instructions and in accordance with AS/NZS 3500, the PCA and your local regulatory requirements. Water and/or electrical supply conditions must also comply to the applicable national and/or state standards. Failing to comply with these provisions shall void the product warranty and may affect the performance of the product.



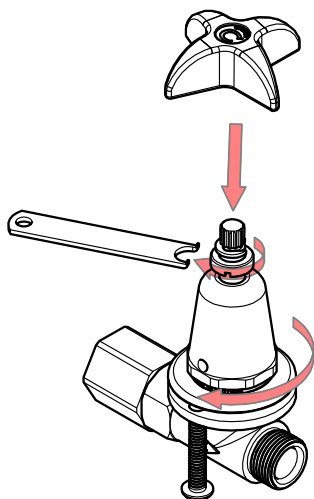
1. Dissamble handle and outlet

- Remove the handle and dress fitting to install this unit, using tools provided
- Do not remove the whole top assembly
- Remove back nut and cup washer from the outlet assembly



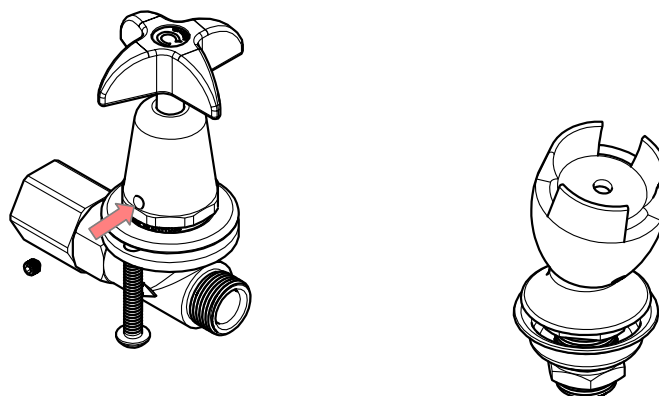
2. Fit body & mouthguard outlet

- Fit the body and mouthguard outlet into the trough.
- Ensure the sealing rubber washers are placed underneath the body and mouthguard outlet body.
- Secure underneath with the supplied cup washer and back nut.
- Assemble the valve body to the push button
- Ensure thread tape is applied for sealing
- Take care not to over-tighten



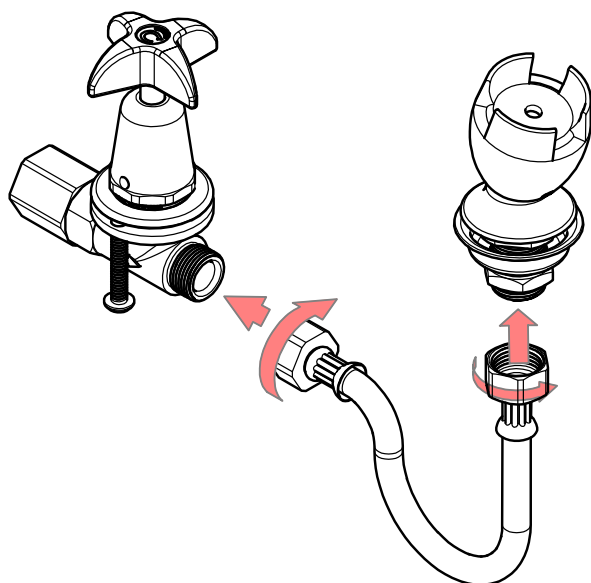
3. Fit handle

- When replacing the handle and dress fittings the CP bonnet must be tightened firmly using the appropriate spanner to resist theft.



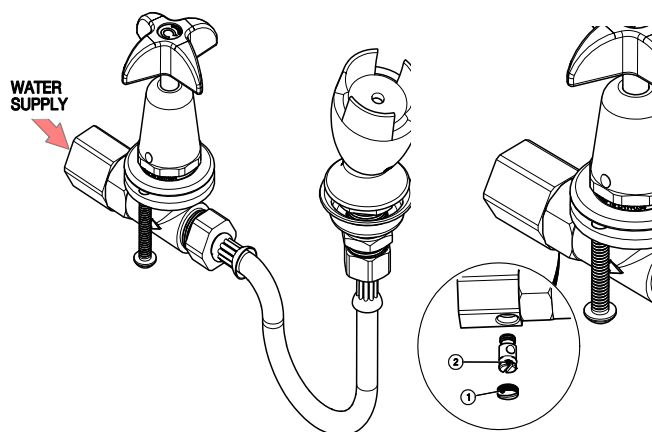
4. Secure bonnet

- Secure bonnet with supplied grub screw



5. Fit flexihose

- Fit flexi hose to outlet and body



6. Testing

- Once the drinking tap has been installed and tested for leaks, the water height must be adjusted to suit the available pressure.
- To adjust water flow
 1. Remove the blanking screw ①
 2. Adjust the water height by turning the regulator screw ②
 3. Replace blanking screw

Note: The full range from minimum flow to maximum flow is only ¼ turn.

TROUBLESHOOTING		
PROBLEM	CAUSE	RECTIFICATION
Inconsistent flow	Blocked top assembly	Remove top assembly and clean
Water is not flowing from tap	Water is turned off	Turn on water
	Blocked flow restrictor	Remove restrictor and clean
Continuous flow	Top assembly loose or internally obstructed or damaged	Remove top assembly, clean with water and re-grease spindle if required
Rate of flow inadequate	The flow regulator screw may not be adjusted correctly	Remove blanking screw and adjust flow regulating screw as described above
Button hard to press	The mains pressure may be too great	Reduce to below 500kPa (70PSI). Regrease spindle if required

WARRANTY

The warranty set forth herein is given expressly and is the only warranty given by the Galvin Engineering Pty Ltd. With respect to the product, Galvin Engineering Pty Ltd makes no other warranties, express or implied. Galvin Engineering Pty. Ltd. hereby specifically disclaims all other warranties, express or implied, including but not limited to the implied warranties of merchantability and fitness for a particular purpose.

Galvin Engineering Pty Ltd products are covered under our manufacturer's warranty available for download from www.galvinengineering.com.au Galvin Engineering Pty Ltd expressly warrants that the product is free from operational defects in workmanship and materials for the warranty period as shown on the schedule in the manufacturer's warranty. During the warranty period, Galvin Engineering will replace or repair any defective products manufactured by Galvin Engineering without charge, so long as the terms of the Manufacturer's warranty are complied with.

The remedy described in the first paragraph of this warranty shall constitute the sole and exclusive remedy for breach of warranty, and Galvin Engineering Pty Ltd shall not be responsible for any incidental, special or consequential damages, including without limitation, lost profits or the cost of repairing or replacing other property which is damaged if this product does not work properly, other costs resulting from labour charges, delays, vandalism, negligence, fouling caused by foreign material, damage from adverse water conditions, chemical, electrical or any other circumstances over which Galvin Engineering has no control. This warranty shall be invalidated by any abuse, misuse, misapplication, improper installation or improper maintenance or alteration of the product.

