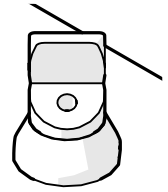


Ezy-Drink[®] GalvinClear SS316 Remote Electronic Drinking Bubbler Metal Tap - Battery

PRODUCT CODES:

- TD25XEB



SPECIFICATIONS

- Piezo button activation
- Stainless steel construction

IMPORTANT: All Ezy-Drink[®] remote bubbler taps are tested in accordance with AS/NZS 3718 and leave our premises in good working order.

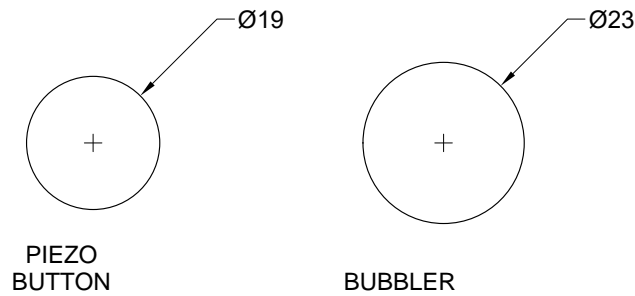
TECHNICAL DATA

Inlet		½" BSP - Female			
Outlet		Metal mouthguard			
Headwork		Piezo Activation			
Working Pressure Range (kPa)		Min	50		
		Max	500		
Working Temperature Range (°C)		Min	5		
		Max	60		
Nominal Flow Rate (LPM)		1.7			
Solenoid		Input Voltage		6 V DC	
		Power Consumption		-	
		Connection	Inlet	½" BSP - Female	
			Outlet	½" BSP - Male	
		Pressure Range (kPa)	Min	50	
			Max	500	
		Temperature (°C)	Min	5	
			Max	60	
Finish		Stainless Steel			

NOTE: Galvin Specialised continually strive to improve their products. Specifications may change without notice.

PRE-INSTALLATION

MOUNTING DETAILS – ROUGH IN DIMENSIONS



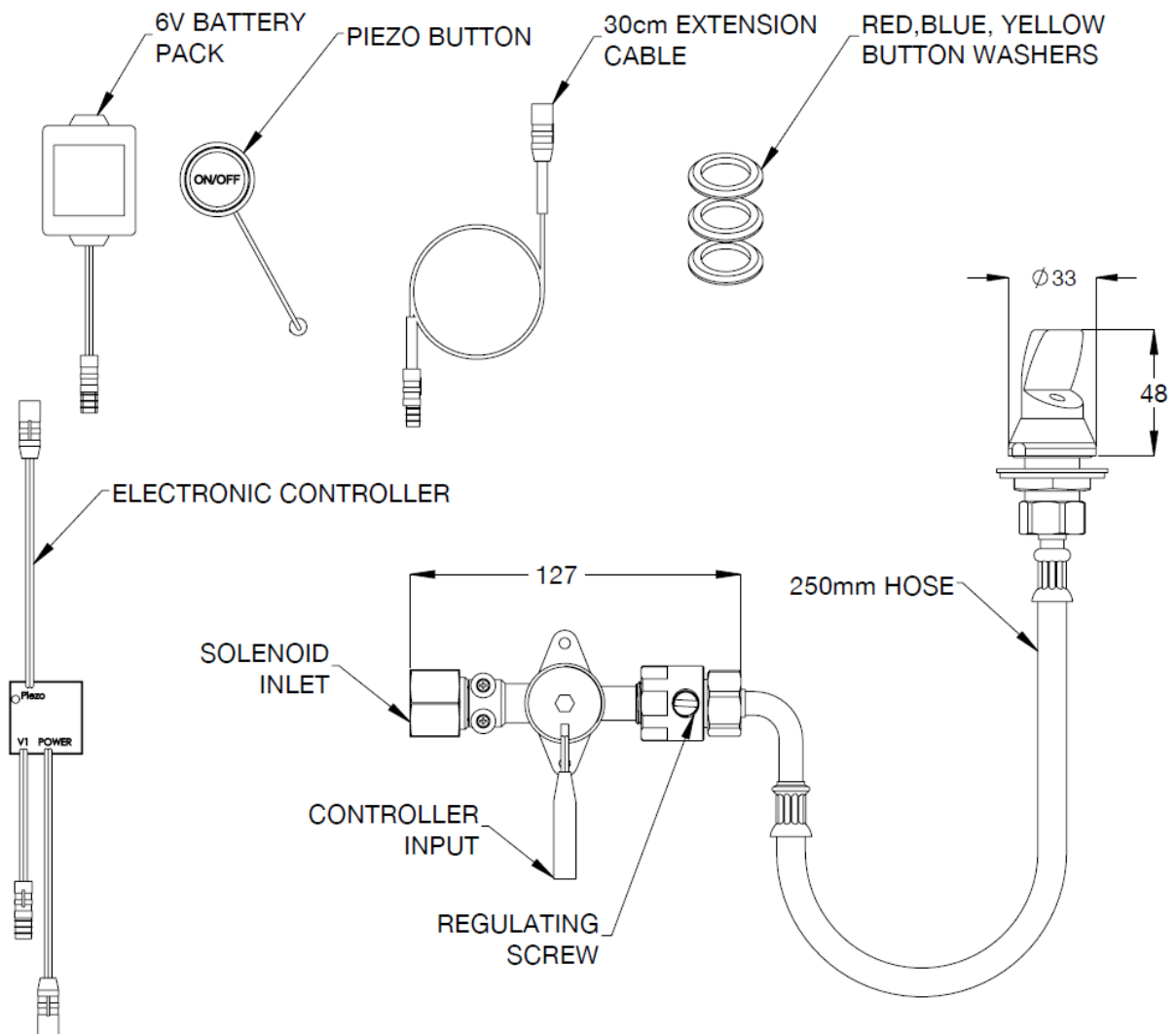
MOUNTING DETAILS – OVERALL DIMENSIONS

Controller programming is locked. If specific changes need to be made, contact Galvin Specialised.

– If the mounting holes do not already exist, mark out and drill the holes in the bench/trough, as shown in rough in dimensions.

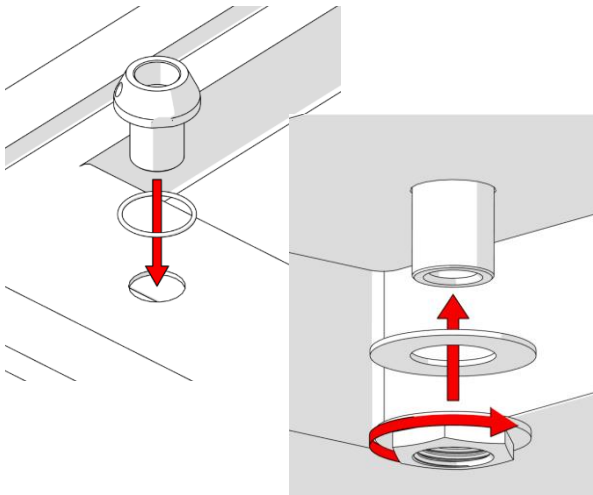
Note: Supplied flexi hose length is 250mm long.

Note: Before installation, all lines must be flushed. We recommend that a line strainer be installed prior to drinking taps to eliminate any foreign material.



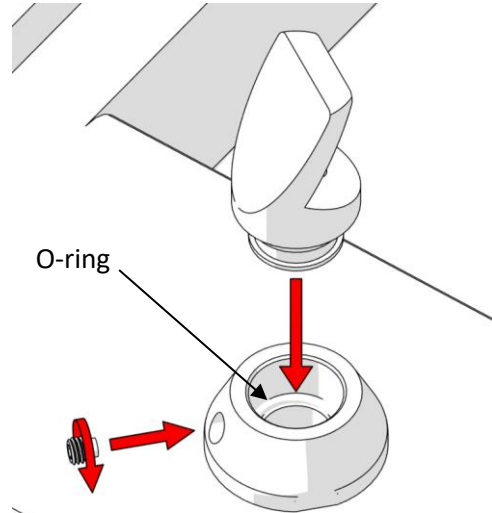
INSTALLATION

IMPORTANT: Galvin Engineering products must be installed in accordance with these installation instructions and in accordance with AS/NZS 3500, the PCA and your local regulatory requirements. Water and/or electrical supply conditions must also comply to the applicable national and/or state standards. Failing to comply with these provisions shall void the product warranty and may affect the performance of the product.



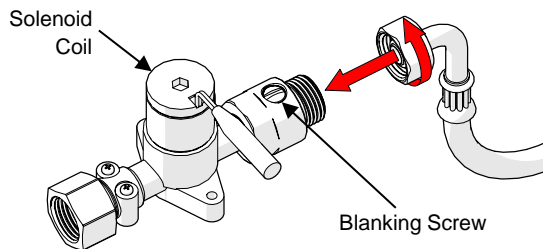
1. Fit Body & Filler Outlet

- Remove the lock nut.
- Fit the body into the trough ensuring the rubber o-ring is placed between the trough and the body.
- Fit rubber washer and back nut and tighten.



2. Fit Filler Outlet

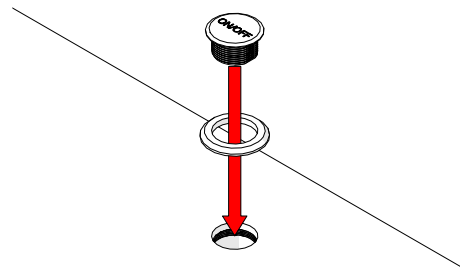
- Fit filler outlet into stem ensuring it is seated correctly and the O-ring is present.
- Turn the filler outlet to the desired position.
- Once positioned, fit and tighten grub screw. The filler outlet should no longer turn.



3. Fit Flexi Hose

- Fix the solenoid in position ensuring that the solenoid coil is not facing downwards.
- Fit the flexi hose to solenoid as shown.
- To adjust water flow
 1. Remove the blanking screw.
 2. Adjust the water height by turning the regulating screw.
 3. Once desired height has been achieved, replace blanking screw.

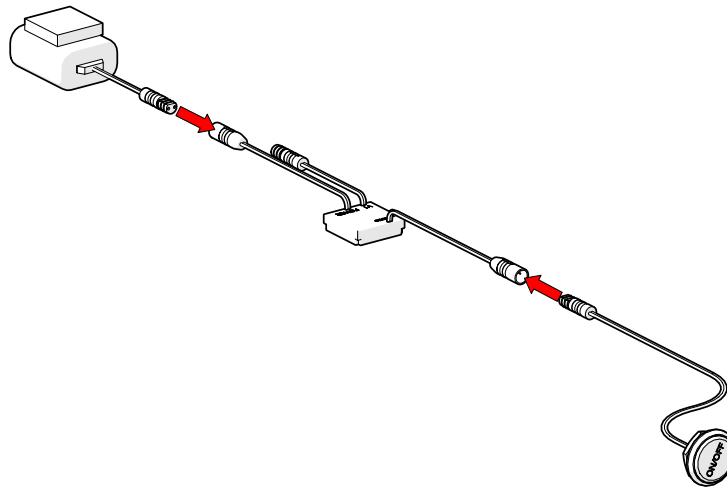
Note: The full range from minimum flow to maximum flow is only ¼ turn.



4. Fit the Piezo Button

- Fit the piezo button and coloured washer into the pre-drilled hole.
- Secure using the supplied nut.

NOTE: Ensure the o-ring is between the button and the coloured washer.



5. Connect the Piezo Button to the Controller & Test

- Connect the controller to the solenoid and the battery pack.
- Connect the piezo button to the controller (as shown).
- Turn on water and test for leaks and correct operation.

TROUBLESHOOTING

PROBLEM	CAUSE	RECTIFICATION
Water is not flowing from tap	Water is turned off	Turn on water
	Blocked flow regulating screw	Remove regulating screw and clean
Rate of flow inadequate	The flow regulating screw may not be adjusted correctly	Remove blanking screw and adjust flow regulating screw as described above

WARRANTY

The warranty set forth herein is given expressly and is the only warranty given by the Galvin Engineering Pty Ltd. With respect to the product, Galvin Engineering Pty Ltd makes no other warranties, express or implied. Galvin Engineering Pty. Ltd. hereby specifically disclaims all other warranties, express or implied, including but not limited to the implied warranties of merchantability and fitness for a particular purpose.

Galvin Engineering Pty Ltd products are covered under our manufacturer’s warranty available for download from www.galvinengineering.com.au Galvin Engineering Pty Ltd expressly warrants that the product is free from operational defects in workmanship and materials for the warranty period as shown on the schedule in the manufacturer’s warranty. During the warranty period, Galvin Engineering will replace or repair any defective products manufactured by Galvin Engineering without charge, so long as the terms of the Manufacturer’s warranty are complied with.

The remedy described in the first paragraph of this warranty shall constitute the sole and exclusive remedy for breach of warranty, and Galvin Engineering Pty Ltd shall not be responsible for any incidental, special or consequential damages, including without limitation, lost profits or the cost of repairing or replacing other property which is damaged if this product does not work properly, other costs resulting from labour charges, delays, vandalism, negligence, fouling caused by foreign material, damage from adverse water conditions, chemical, electrical or any other circumstances over which Galvin Engineering has no control. This warranty shall be invalidated by any abuse, misuse, misapplication, improper installation or improper maintenance or alteration of the product.

Within Australia: 1300 514 074 Outside Australia: P: +61 (0)8 9338 2344

F: +61 (0)8 9338 2340

sales@galvinengineering.com.au

www.galvinengineering.com.au

ABN: 78 008 719 382

PERTH | SYDNEY | MELBOURNE | BRISBANE | ADELAIDE

