



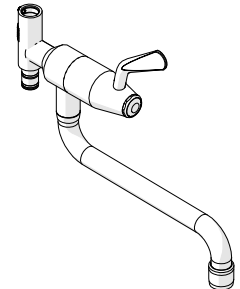
Ezy-Wash[®] Pre-Rinse Tapware

PRODUCT CODE:

- TF85-J
- TF85-C



WaterMark
AS/NZS 3718 Lic. WMKA0034
SAI Global



SPECIFICATIONS

- Galvin Specialised Pre-Rinse Pot Filler easily installs into a pre-rinse tap for convenient, versatile use that quickly and easily fills stock pots and kettles.
- Galvin Specialised recommends installation of pot filler attachments are conducted by a qualified plumber.
- Available with jumper valve or ceramic cartridge
- The identification button on the handle is standard and signifies hot water only. If water other than hot is used (e.g cold) then appropriate identification buttons will need to be purchased to replace those supplied on the standard unit.

TECHNICAL DATA

Inlet		Swivel spindle	
Outlet		Aerator	
Headworks	TF85-J	Jumper Valve	
	TF85-C	Ceramic	
Working Pressure Range (kPa)	Min	100	
	Max	500	
Working Temperature Range (°C)	TF85-J	Min	5
		Max	65
	TF85-C	Min	5
		Max	65
Nominal Flow Rate (LPM)		15	
Finish		Chrome	

NOTE: Galvin Specialised continually strives to improve their products. Specifications may change without notice. Higher temperature or pressures could result in premature failure and void the manufacturer's warranty

TOOLS REQUIRED

- Hex key
- Adjustable spanner



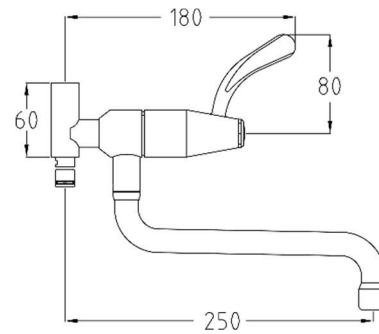
PRE-INSTALLATION

This installation instruction has two (2) sections:

1. New Installation
2. Retro-Fit

Select the appropriate section and follow the instructions carefully.

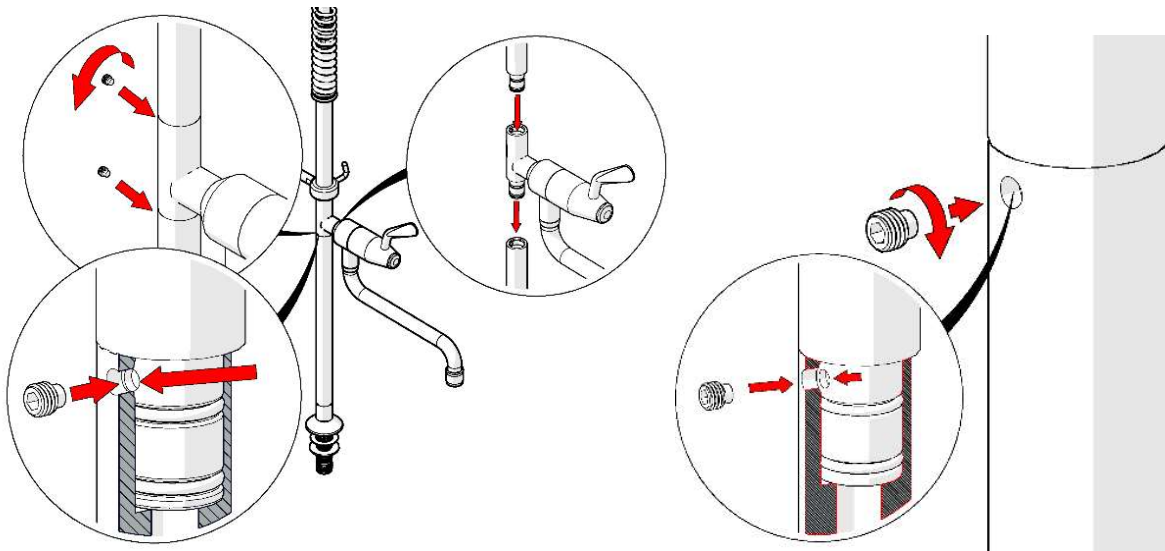
Note: When a pot filler attachment is installed, the overall height of the pre-rinse unit will increase by 60mm.



INSTALLATION

INSTALLATION COMPLIANCE: Galvin Specialised products must be installed in accordance with these installation instructions and in accordance with AS/NZS 3500, the PCA and your local regulatory requirements. Water and/or electrical supply conditions must also comply to the applicable national and/or state standards. Failing to comply with these provisions shall void the product warranty and may affect the performance of the product.

New Installation: (The following instructions must be followed in all respects and read in conjunction with installation and operation instructions supplied with new pre-rinse unit).



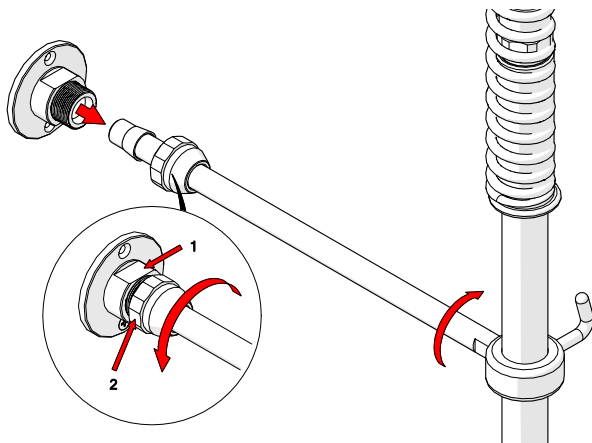
1. Fit pot filler and riser

- Remove protective cap from upper riser spindle.
- Fit the upper riser to the lower riser, ensure the sealing o-rings are inside the spindle.
- Tighten with new supplied grub screw.

⚠ It is critical that the grub screw point locates accurately into hole recess of mating part. Failure to do so may result in damage and/or failure of the unit.

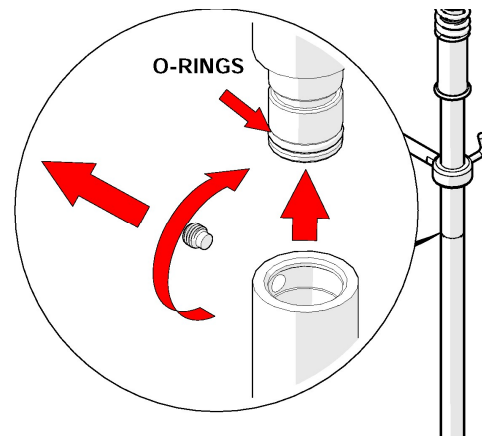
Refer back to instructions supplied with new Galvin Specialised pre-rinse unit to complete installation.

Retro-Fit {Installation to existing Galvin Specialised Ezy-Wash Pre-Rinse unit (the unit will need to be isolated at the control valves)}



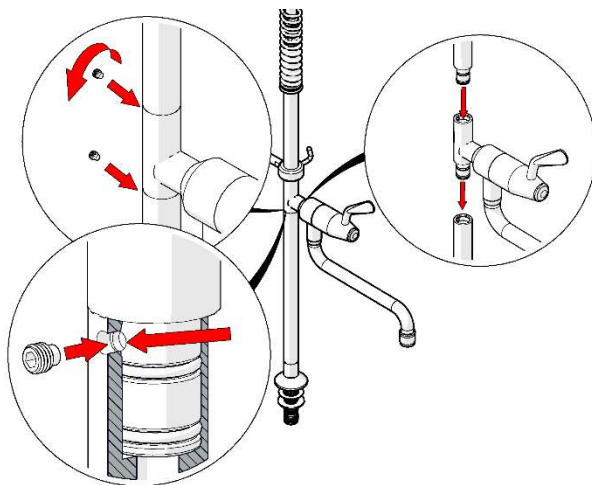
1. Disassemble wall bracket

- Unscrew the compression nut from the wall flange using two spanners (1st to support the wall flange, 2nd for the compression nut).
- Pull out support rod from wall flange and loosen the support rod from upper riser hook (if required).



2. Disassemble pre-rinse riser

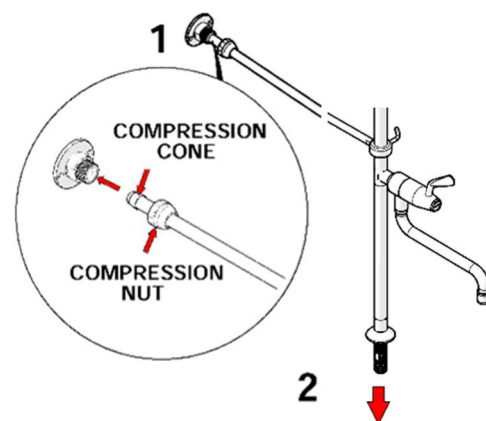
- Unscrew grub screw from top riser assembly.
- Separate top riser, paying special attention to not damage any o-rings.
- Remove pre-rinse unit body from hub mounted assembly (if required).



3. Fit pot filler and riser

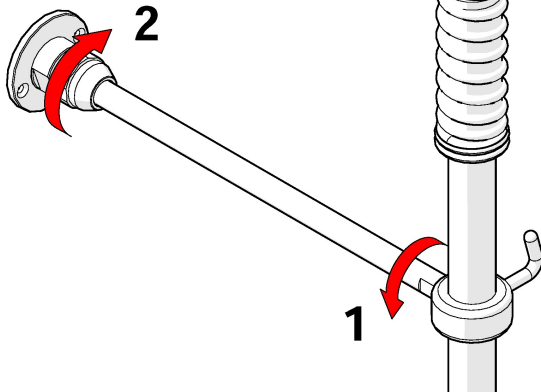
- Remove protective cap from upper riser spindle
- Fit the upper riser to the lower riser, ensure the sealing o-rings are inside the spindle
- Tighten with new supplied grub screw.

It is critical that the grub screw point locates accurately into hole recess of mating part. Failure to do so may result in damage and/or failure of the unit.



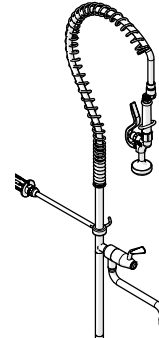
4. Fit pre-rinse riser assembly

- Screw support rod into the riser hook and ensure it is not fully tightened (if applicable).
1. Fit compression nut to support rod, followed by the compression cone and locate the support rod into wall bracket.
 2. Fit the pre-rinse riser assembly through the drilled hole on the bench and secure.



5. Secure support rod

1. Fasten support rod securely against CP riser.
2. Tighten compression nut on wall bracket to secure the support rod. The rod is now rigid.



6. Test unit

- Once all fittings have been tightened securely, connect the unit to the mains water.
- **Turn on water and test the unit for any leaks.**

WARNINGS

For optimum performance it is recommended that the isolation or mains taps are turned off whilst the unit is not in use (overnight etc.), so that the unit is not under mains pressure when unsupervised. Flood damage may occur if a failure occurs whilst the unit is under mains pressure (warranty is void in this instance).

Galvin Specialised recommends that the handpiece is periodically serviced by a qualified plumber.

IMPORTANT:

To seal the hose this unit uses Loctite 577 which is a thread sealant approved for use with potable water (AS/NZS 4020). If hose is to be removed for maintenance purposes, reseal the joints with Loctite 577, or an equivalent sealant compliant with AS/NZS 4020. Do not use thread tape to seal the hose connections, as this may cause the hose nut to become loosened over time and leak.



Product Installation Guideline

Version 2, 4 August 2017, Page 5 of 5

SERVICE AND MAINTENANCE

JUMPER VALVE TAPWARE	CERAMIC CARTRIDGE TAPWARE
<ol style="list-style-type: none">1. Turn off the water supply and turn on the tap handle to drain water from the bodies.2. Remove the temperature indicator from the handle.3. Remove the handle from the tap.4. Unscrew the top assembly from the body.5. Check the o-ring on the spindle and the jumper valve for wear and damage. Replace if required.6. Clean the spindle and body of debris.7. Place a new o-ring (if required) onto the spindle and re-grease with potable water approved grease.8. Re-assemble top assembly. Follow the product installation guidelines for the relevant product re-assembly method.	<ol style="list-style-type: none">1. Turn off the water supply and turn on the tap handle to drain water from the bodies.2. Remove the temperature indicator from the handle.3. Remove the handle from the tap.4. Unscrew the ceramic head part from the body.5. Check the o-ring on the ceramic head part for wear and damage. Replace if required.6. Clean the head part and the body of any debris.7. Replace the cartridge and hand tighten back into the body.8. Follow the product installation guidelines for the relevant product re-assembly method.

WARRANTY

The warranty set forth herein is given expressly and is the only warranty given by the Galvin Engineering Pty Ltd. With respect to the product, Galvin Engineering Pty Ltd makes no other warranties, express or implied. Galvin Engineering Pty Ltd. hereby specifically disclaims all other warranties, express or implied, including but not limited to the implied warranties of merchantability and fitness for a particular purpose.

Galvin Engineering Pty Ltd products are covered under our manufacturer's warranty available for download from www.galvinengineering.com.au Galvin Engineering Pty Ltd expressly warrants that the product is free from operational defects in workmanship and materials for the warranty period as shown on the schedule in the manufacturer's warranty. During the warranty period, Galvin Engineering will replace or repair any defective products manufactured by Galvin Engineering without charge, so long as the terms of the Manufacturer's warranty are complied with.

The remedy described in the first paragraph of this warranty shall constitute the sole and exclusive remedy for breach of warranty, and Galvin Engineering Pty Ltd shall not be responsible for any incidental, special or consequential damages, including without limitation, lost profits or the cost of repairing or replacing other property which is damaged if this product does not work properly, other costs resulting from labour charges, delays, vandalism, negligence, fouling caused by foreign material, damage from adverse water conditions, chemical, electrical or any other circumstances over which Galvin Engineering has no control. This warranty shall be invalidated by any abuse, misuse, misapplication, improper installation or improper maintenance or alteration of the product

