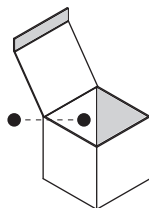
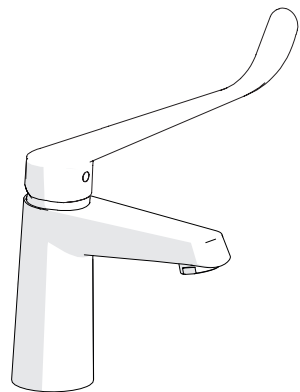


Not included

1

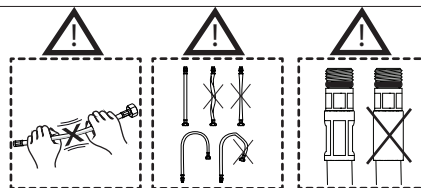
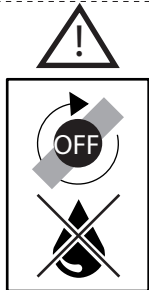
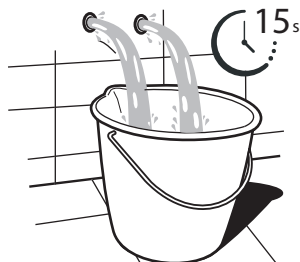
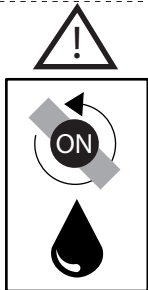


A

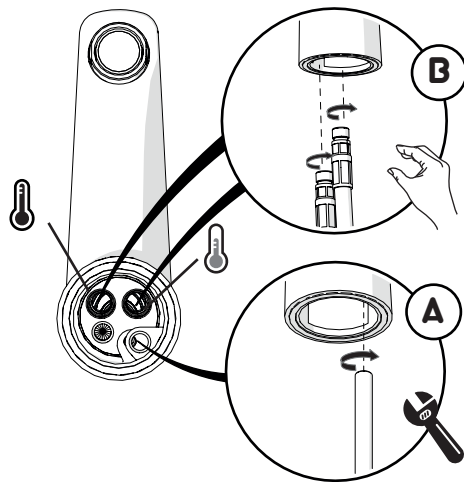
B

C

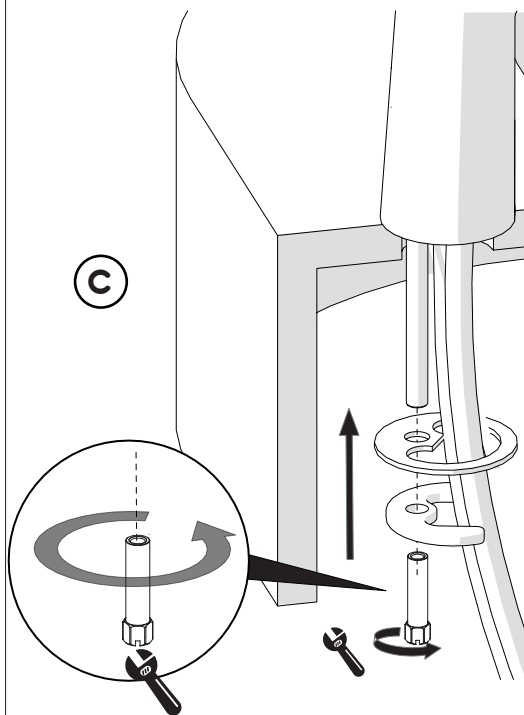
D



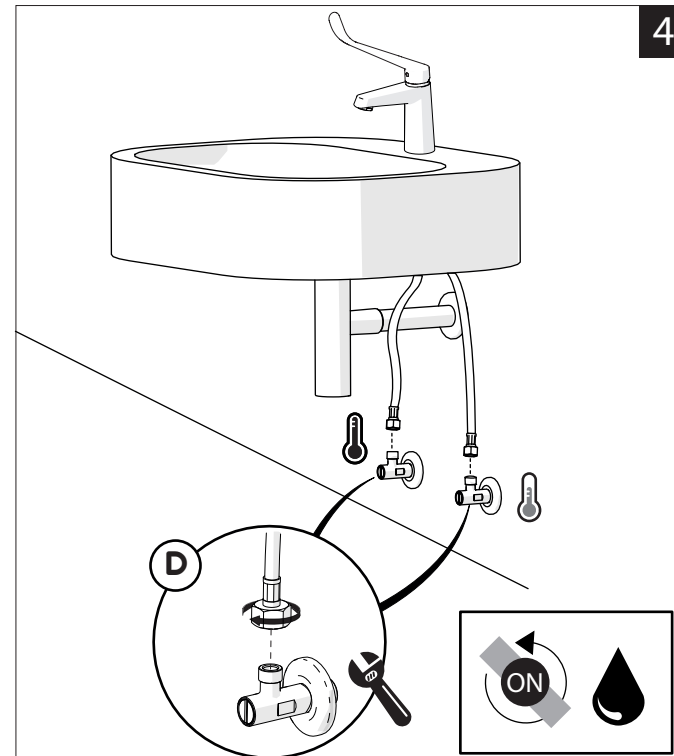
2



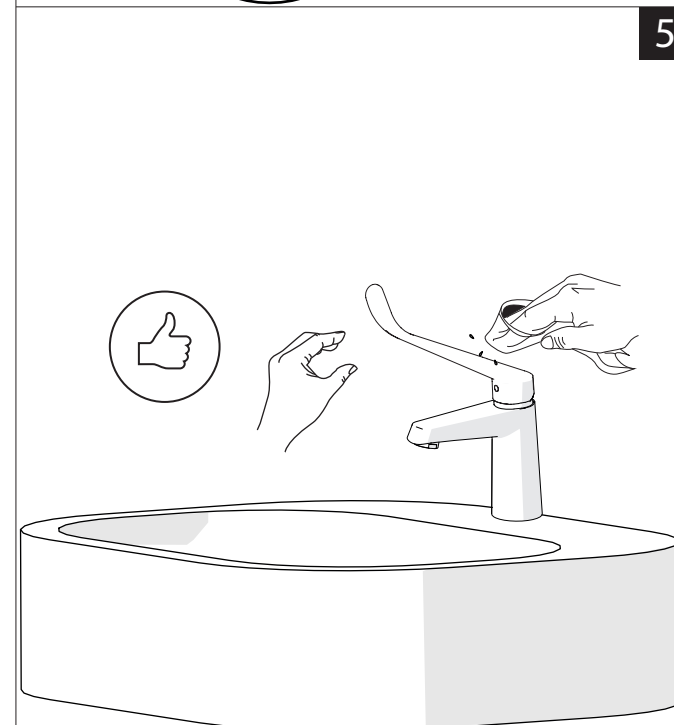
3

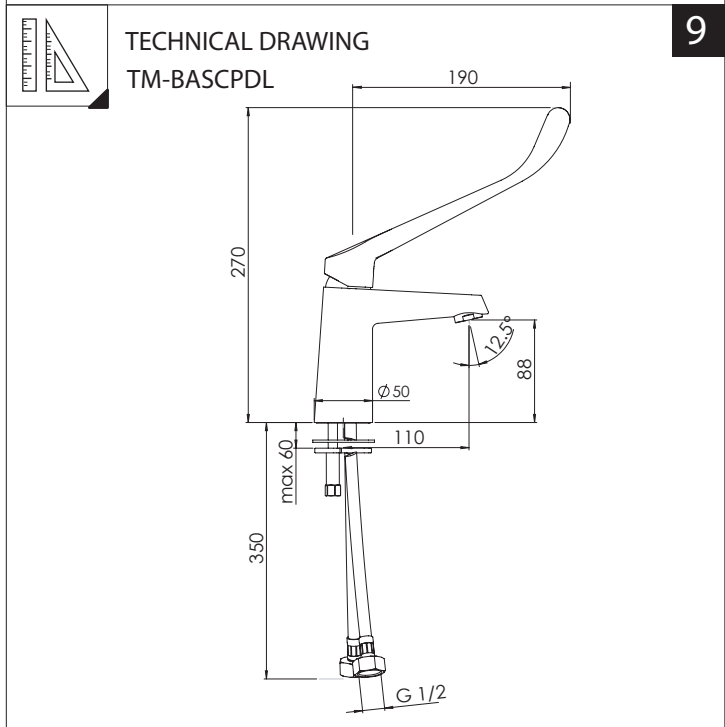
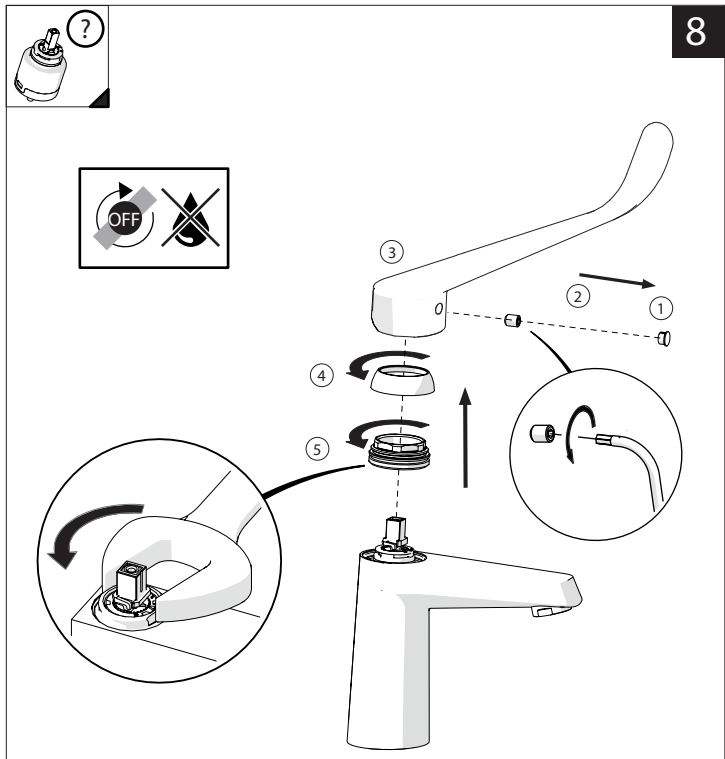


4



5





galvinspecialised
 commercial taps + fixtures

TM-BASCPDL
 GalvinAssist™ Single Lever Basin Mixer
 with 190 mm Accessible lever

NOTE:
Galvin Specialised products must be installed in accordance with these installation instructions and in accordance with AS/NZS 3500

WATER RATING
A joint government and industry program Licence No. 0001
4.5
litres per minute
When tested at 100, 200 & 300kPa
When tested in accordance with Standard AS/NZS 6400
www.waterrating.gov.au

AS/NZS 3718
 LN:1400

BEFORE STARTING

P	P Kpa	MAX 1000 MIN 50	500		T	T °C	MAX 80	65 45
---	----------	--------------------	-----	--	---	------	--------	----------

CLEANING

 WATER	 YES CHROME NO PAINTED ALCOHOL	 MICROFIBER	 SPONGE	 DETERGENT
 ALL FINISHES WATER AND SOAP	 ALWAYS DRY WELL			