

# Topas Hob Mounted Wash Basin Taps Installation Instruction



Mains and Battery Powered

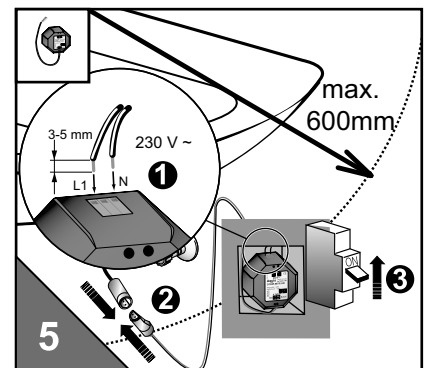
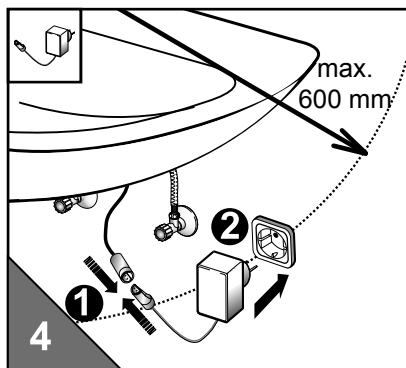
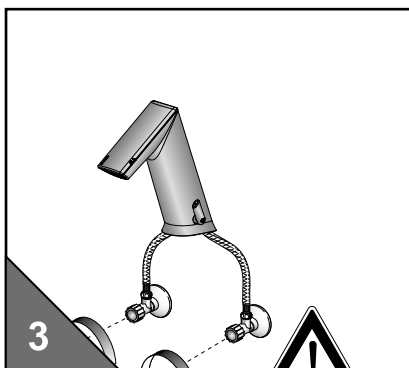
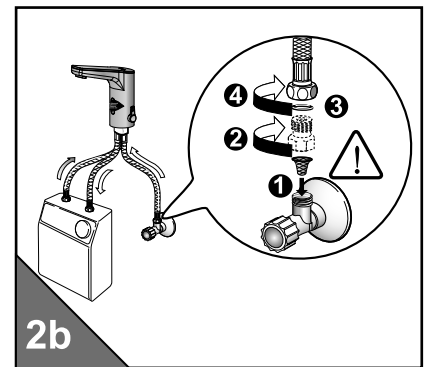
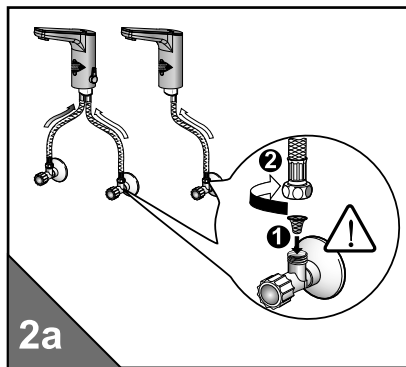
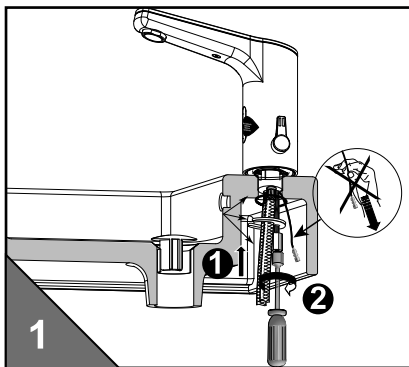
#TZ-FLOWHOBMB  
#TZ-FLOWHOBSB  
#TZ-FLOWHOBMP  
#TZ-FLOWHOBSB



## • Installation guidelines

- The water pressure for both the hot and cold water pipes should be equal.
- Install and store in frost-proof rooms only.
- **From the date of purchase (proof of purchase) we offer a 2 year warranty.**

## • Installation

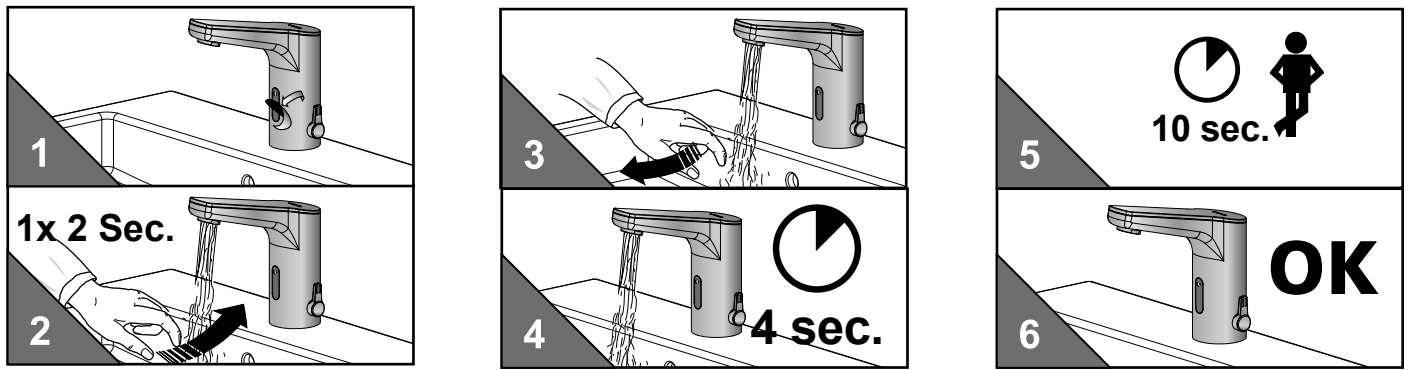


• Adjust water quantity!

• Connect to the power supply

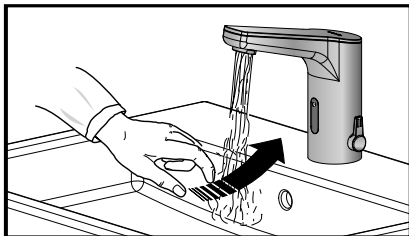
• Connect to the power supply

## • Preparing for operation

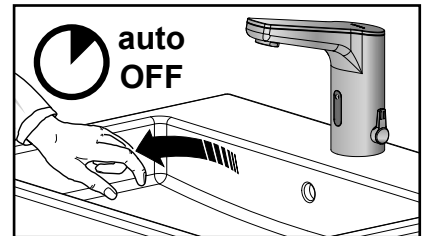


## • Functions

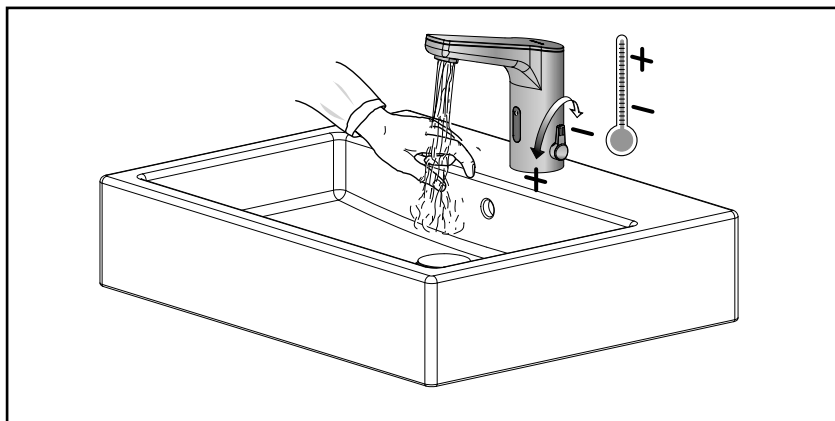
• Water flow „On“



• Water flow „Off“



## • Adjusting the temperature

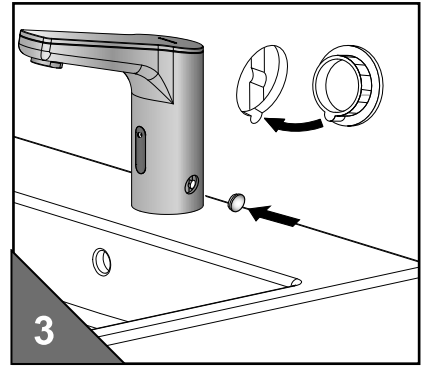
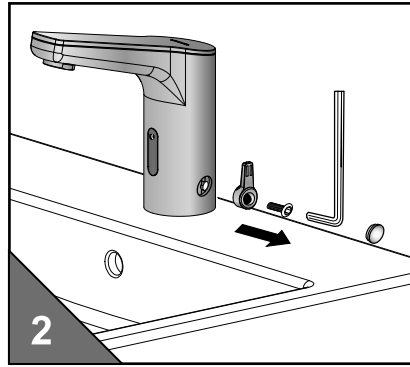
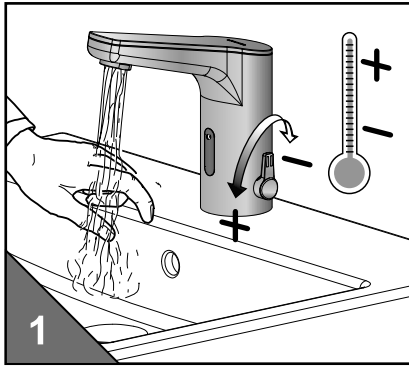


# electronic functions - washbasin faucet with touch-function

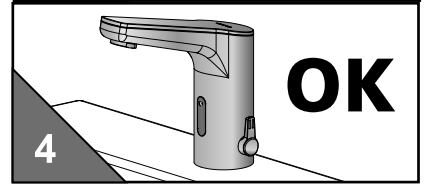
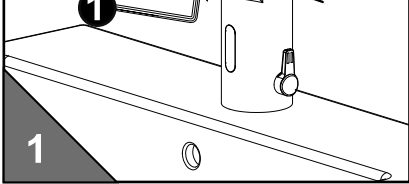
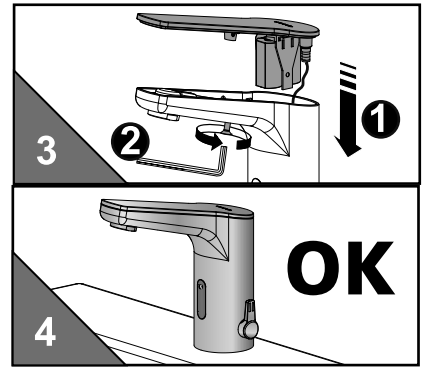
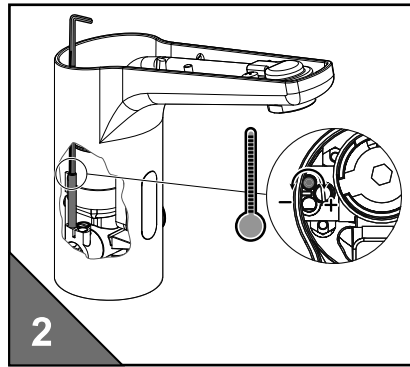
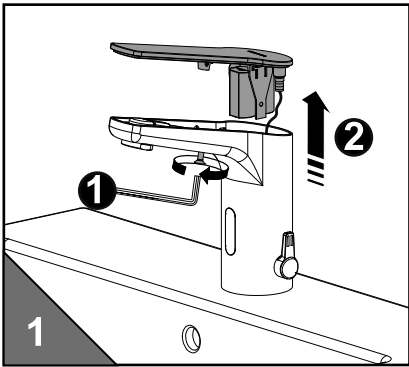
signs and symbols	⊙ - touch function		☞ - hand/object within sensor area
	💧💧💧 - water flows		① - LED flashes GREEN
	XXX - waterflow stops		② - LED flashes RED
	h - hours / min. - minutes / sec. - seconds		

function	procedure	feedback signal	information	default	setting range via iqua-Touch
first startup after installation	1x ☞ app. 2 sec. till	💧💧💧	remove hand/object from sensor area	-	-
	wait	② + 💧💧💧	② 2x/sec., keep out of sensor area		
	wait till	① 1x	confirmation, ready for operation		
temporary off «cleaning mode» activate	1x ⊙ app. 2 sec. till	① 1x	extended function mode is active	2 min.	-
	2x ⊙ a app. 0,5 sec.	②	② pulsing during active function		
temporary off stop	1x ⊙ app. 2 sec.	① 1x	manual stop	-	-
	or automatic	① 1x	automatic after preset time		
continous run activate	1x ⊙ app. 2 sec. till	① 1x	extended function mode is active	2 min.	0,5-20 min. (in 0,5 min. steps)
	1x ⊙ minimum 3 sec. (max. 5 sec.)	💧💧💧	water flows after releasing		
continous run stop	1x ⊙ app. 2 sec.	XXX	manual stop	-	-
	or automatic	XXX	automatic after preset time		
follow up time control for normal operation set / programm	1x ⊙ app. 2 sec. till	① 1x	extended function mode is active	1 sec.	0-10 sec.
	1x ⊙ app. 5 sec. till	② 1x			
	1x ⊙ 0 - 10 sec. keep touched	② + 💧💧💧	② 1x/sec., water flows during touching - releasing defines duration		
	after releasing	① 1x	confirmation, ready for operation		
time of waterflow for continous on and purge duration for line purge feature set / programm	1x ⊙ app. 2 sec. till	① 1x	extended function mode is active	2 min.	0,5-20 min. (in 0,5 min. steps)
	1x ⊙ minimum 3 sec. (max. 5 sec.)	💧💧💧 + ①	touch max. 5 sec., water flows after releasing, number of ① (1x-40x) shows current setting		
	1x ⊙ keep touched till	② 1x - 40x	1x ② =0,5 min. .... 40x ② = 20,0 min. releasing defines duration		
	after releasing	② + ① 1x	check / confirmation of setting by repeating number of ② (1x - 40x) according to setting		
line purge feature activate / deactivate «automatic flush on set intervall»	1x ⊙ app. 2 sec. till	① 1x	extended function mode is active	off	off 12 h 24 h 48 h
	1x ⊙ app. 25 sec. till	② 1x - 4x	② 1x= off, ② 2x=12h, ② 3x= 24h, ② 4x= 48h ignore flashes after 5 sec. and 10 sec. - keep touched till ② 1x - 4x after app. 25 sec., releasing defines interval		
	wait till	① 1x	confirmation, ready for operation		
restart electronics	1x ⊙ app. 2 sec. till	① 1x	extended function mode is active	-	-
	2x ⊙ a app. 0,5 sec.	②	② pulsing during active function		
	1x ⊙ app. 5 sec. till	② 4x	② 1x/sec.		
	release and wait till	② + 💧💧💧	② 1x/sec., keep out of sensor area		
	wait till	① 1x	confirmation, ready for operation		
sensor range set / programm	1x ⊙ app. 2 sec. till	① 1x	extended function mode is active	6	1-8 steps
	2x ⊙ a app. 0,5 sec.	②	② pulsing		
	1x ⊙ app. 15 sec. till	② 1x - 8x	② 1x = min. .... ② 8x = max. ignore flashes ② 4x after 5 sec., keep touched till ② 1x - 8x after app. 15 sec., releasing defines sensor range step		
	release and wait till	② + 💧💧💧	② 1x/sec., keep out of sensor area		
	wait till	① 1x	confirmation, ready for operation		
security off	☞ permanent	XXX	when ☞ without movement only	-	-
empty battery	☞	②	② 2x/sec. during dedecting hand / object	-	-

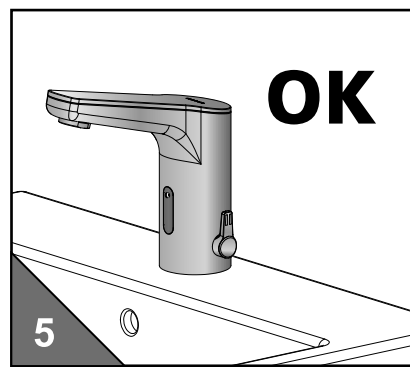
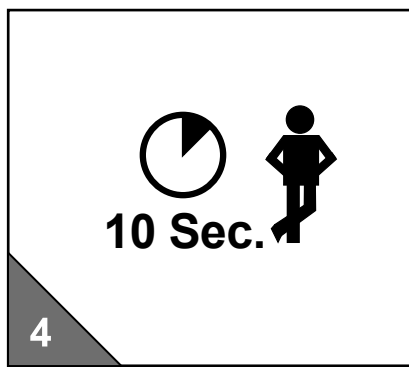
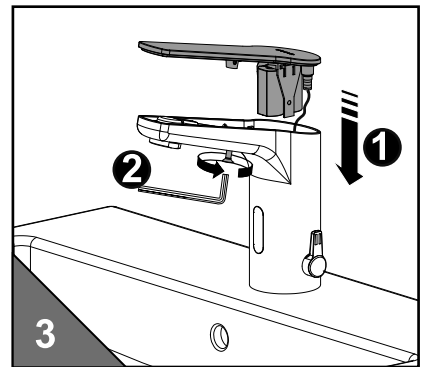
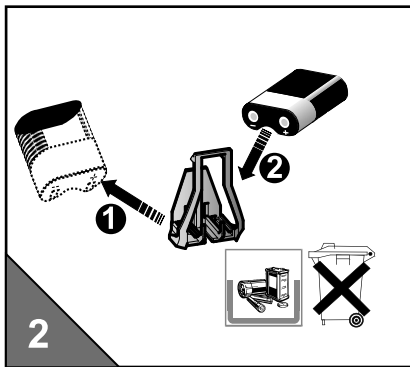
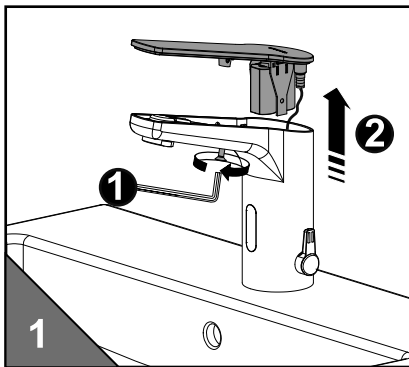
• Fixed temperature setting



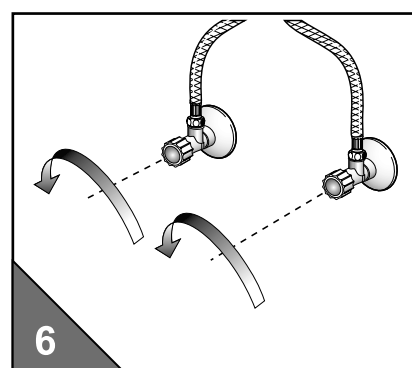
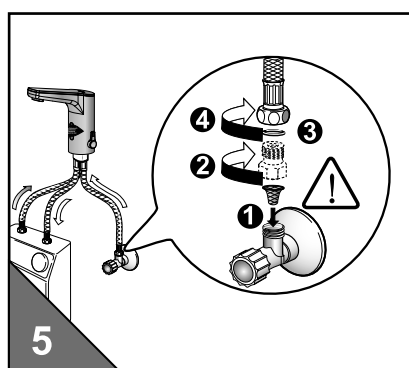
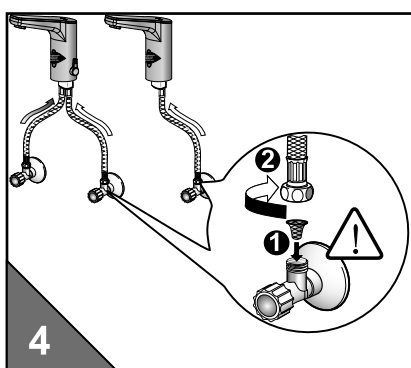
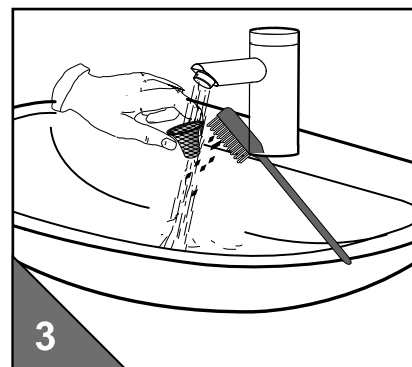
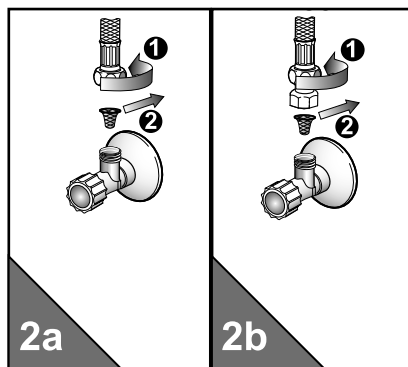
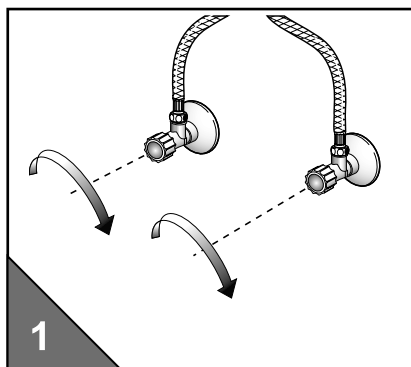
• Adjusting the hot water limitation



• Changing the battery



## • Cleaning the filters



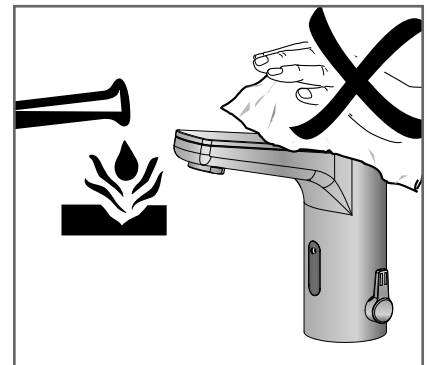
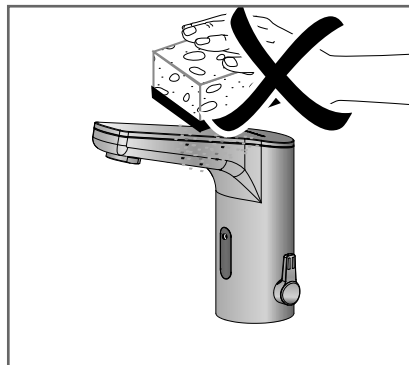
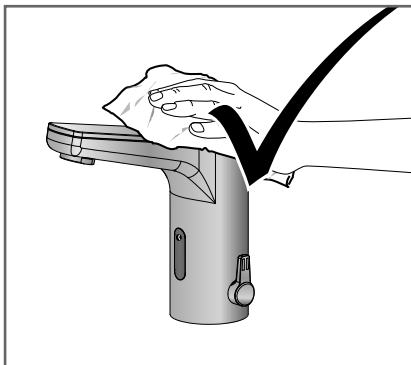
## • Technical Data

Battery operation	6VDC
Mains supply	230VAC / 6VDC
Operating pressure pressure	0,3 - 10 bar
Flow volume	ca. 5 l/Min (3bar)
Water temperature	max. 80 °C
Follow up time (factory setting)	1 sec
Water flow duration: „12/24 hours automatic flush“ equates to „Continuous On“	0,5 - 20 min.

## • Trouble shooting

Disturbance / Error	Cause	Solution
Valve does not flush	<ul style="list-style-type: none"> <li>• „Intermittent off“ is activated</li> <li>• Stop valve closed or filter clogged</li> <li>• Battery flat</li> <li>• Power failure</li> </ul>	<ul style="list-style-type: none"> <li>• End „intermittent off“</li> <li>• Open stop valve or clean filter</li> <li>• Change battery</li> <li>• Check power supply</li> </ul>
Valve flushes uncontrolled (without use)	<ul style="list-style-type: none"> <li>• Reflection</li> </ul>	<ul style="list-style-type: none"> <li>• Automatic sensor adjustment</li> <li>• Setting the sesor range</li> </ul>
Water flows permanently	<ul style="list-style-type: none"> <li>• Valve soiled / defect</li> </ul>	<ul style="list-style-type: none"> <li>• Clean / Renew the valve</li> </ul>
Red LED flashes	<ul style="list-style-type: none"> <li>• Battery flat</li> </ul>	<ul style="list-style-type: none"> <li>• Change battery</li> </ul>

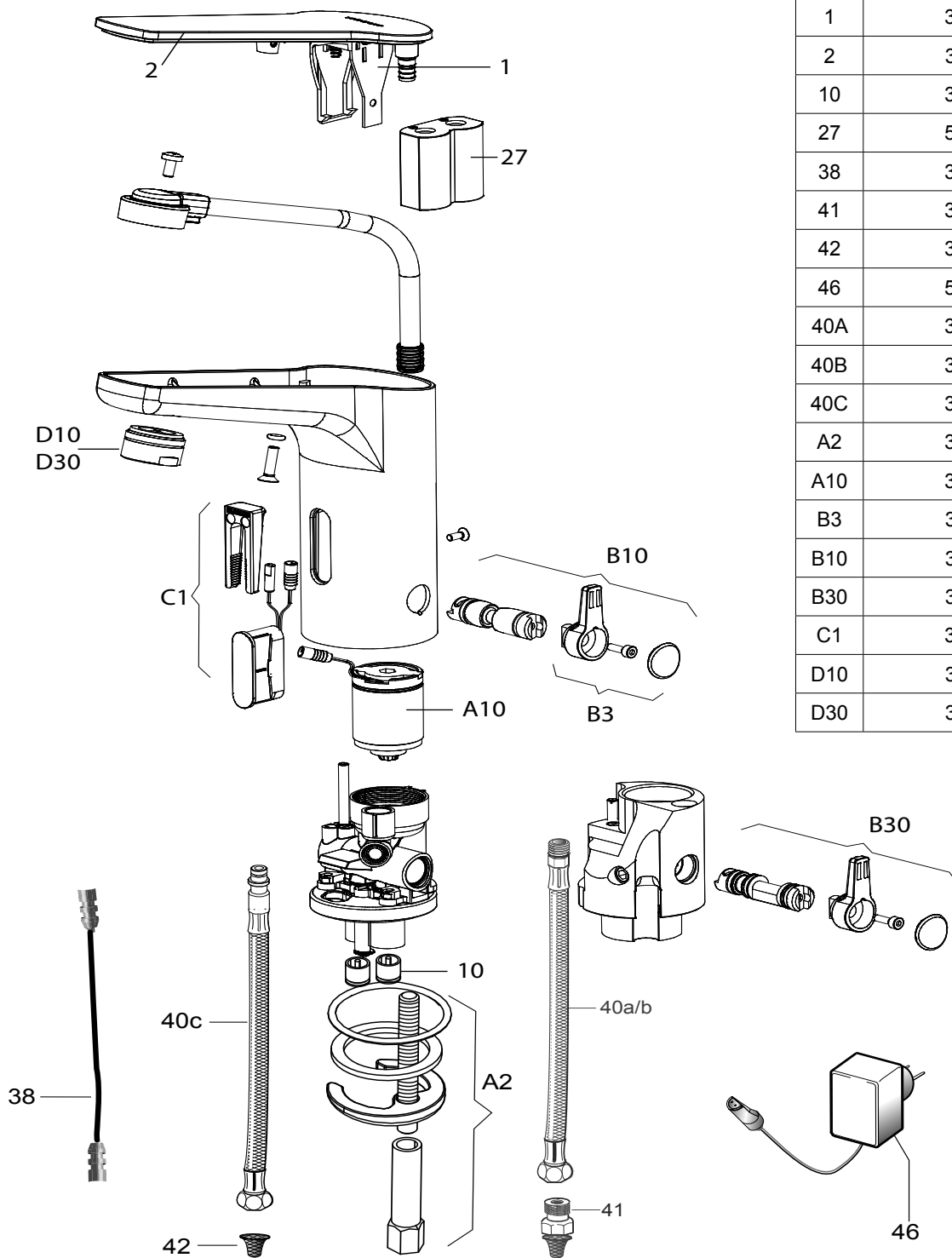
## • Pflege • Maintenance • Cura • Entretien holdelse





- Systemübersicht
- Vista generale del sistema

- System overview
- Résumé du système



Nr.	KBN Nr.
1	397.018.00
2	397.019.11
10	391.003.00
27	550.000.04
38	391.026.00
41	391.020.00
42	391.021.00
46	550.032.00
40A	391.019.00
40B	391.033.00
40C	391.034.00
A2	391.004.00
A10	396.004.00
B3	397.005.11
B10	397.104.11
B30	397.006.11
C1	397.017.00
D10	391.014.11
D30	391.015.11





**HOTLINE**

Galvin Engineering Pty Ltd

Toll Free Phone: 1300 514 074

[www.galvinengineering.com.au](http://www.galvinengineering.com.au)

[sales@galvinengineering.com.au](mailto:sales@galvinengineering.com.au)

Errors and omissions excepted.

